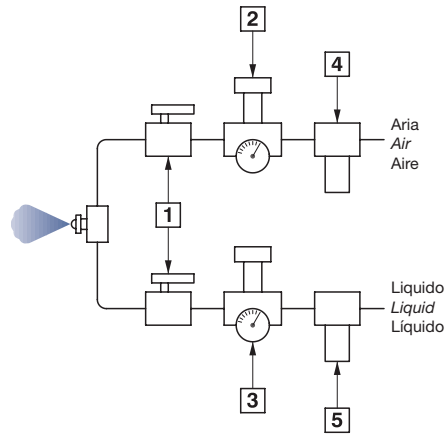
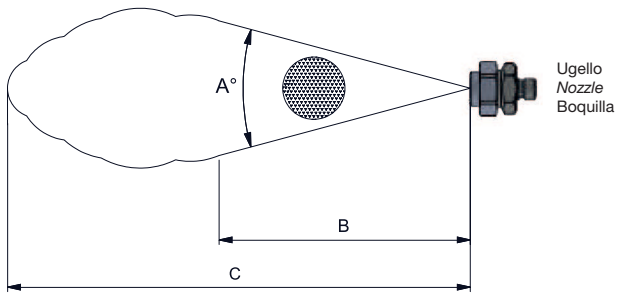


CONO PIENO, MISCELAZIONE ESTERNA
FULL CONE SPRAY, EXTERNAL MIXING
CONO LLENO, MEZCLA EXTERNA



B = distanza entro la quale lo spruzzo rimane costante.
C = Oltre la distanza C il getto diventa frastagliato.

B = distance within which the spray remains constant.
C = Beyond the distance C the jet becomes jagged.

B = distancia dentro de la cual el spray permanece constante.
C = Más allá de la distancia C, el chorro se vuelve irregular.



Spray set-up	Liquid Capacity (liters per hour) and Air Capacity (liters per minute)														Spray dimensions (h)					
	Liquid Pressure														Air bar	Liquid Press. (bar)	A °	B cm	C m	
	0,2 Bar		0,3 Bar		0,7 Bar		1,5 Bar		3 Bar		Air bar	Liquid Press. (bar)	A °	B cm						C m
Air Press. (bar)	AIR l/min	Liquid l/h	Air Press. (bar)	AIR l/min	Liquid l/h	Air Press. (bar)	AIR l/min	Liquid l/h	Air Press. (bar)	AIR l/min	Liquid l/h	Air Press. (bar)	AIR l/min	Liquid l/h	Air bar	Liquid Press. (bar)	A °	B cm	C m	
B1-P61	0.35	65	2.8	0.35	65	3.5	0.40	69	5.3	0.60	85	7.8	0.70	91	11.0	0.7	0.1	25	30	1.5
	0.40	69		0.40	69		0.60	85		0.70	91		1.10	115		0.8	0.3	28	30	1.8
	0.50	78		0.50	78		0.70	91		1.10	115		1.80	147		1.4	1.0	30	32	2.8
	0.60	85		0.70	92		0.85	101		1.40	129		2.50	173		1.8	1.5	32	34	3.0
B2-P61	0.35	65	4.5	0.35	65	5.5	0.60	85	8.3	0.70	91	12.2	1.10	115	17.2	0.7	0.3	25	30	2.0
	0.60	85		0.70	92		1.40	129		2.10	158		1.40	129		0.8	0.5	28	30	2.2
	0.70	92		1.10	110		1.40	129		2.10	158		2.10	158		2.0	1.5	30	32	3.0
	1.10	115		1.40	130		2.10	158		2.50	173		2.50	173		2.5	2.0	32	34	3.8
B3-P61	0.40	69	8.5	0.40	69	10.4	0.40	69	15.9	0.70	91	23.0	1.40	129	33.0	0.7	0.3	25	30	2.0
	0.50	78		0.60	85		0.60	85		0.85	101		1.80	147		0.8	0.5	28	30	2.2
	0.60	85		0.65	89		0.70	91		1.10	115		2.10	158		2.0	1.5	30	32	3.0
	0.70	92		0.70	96		0.85	101		1.40	129		2.50	173		2.5	2.0	32	34	3.8
B4-P62	0.60	105	13.4	0.70	113	16.4	1.40	160	25.0	2.10	196	37.0	3.20	242	52.0	1.0	0.5	28	35	2.5
	0.70	113		1.10	142		2.10	196		2.80	226		4.20	277		1.5	0.8	28	35	2.5
	1.10	142		1.80	181		2.50	214		3.50	253		5.30	311		2.5	1.8	30	36	3.5
	1.40	160		2.10	196		2.80	226		4.20	277		5.60	320		3.0	2.0	35	38	4.5
B5-P62	0.60	105	17.6	0.70	113	22.0	1.10	142	33.0	2.50	214	48.0	3.50	253	68.0	1.0	0.5	28	35	2.5
	1.10	142		1.40	160		1.80	181		3.20	242		4.60	290		1.5	0.8	28	35	2.5
	1.40	160		1.80	181		2.50	214		3.90	267		6.00	331		2.5	1.8	30	36	3.5
	1.80	182		2.10	196		2.80	226		4.20	277		6.70	350		3.0	2.0	35	38	4.5
B6-P62	0.70	113	36.0	1.10	142	45.0	1.80	181	68.0	3.20	242	100.0	5.30	311	141.0	1.5	0.8	28	35	2.5
	1.10	142		1.40	160		2.10	196		3.50	253		6.00	331		2.5	1.8	28	35	3.5
	1.40	160		2.10	185		2.80	226		4.90	299		6.70	350		4.5	3.5	30	36	5.0
	1.80	182		2.50	214		3.20	242		5.60	320		7.00	358		5.0	4.0	35	38	5.5