

# series VNCD

# Air knife circular two-piece



**VNCD-AL-N-0500-**

Inner diameter [mm]  
according to customer requirements

Material of the body  
Aluminum alloy ... **AL**  
Stainless steel ... **SS**

Thickness of the slot  
**0500** ... 0,05 mm  
**0800** ... 0,08 mm  
**1000** ... 0,1 mm  
**1300** ... 0,13 mm  
**1600** ... 0,16 mm  
**2100** ... 0,21 mm

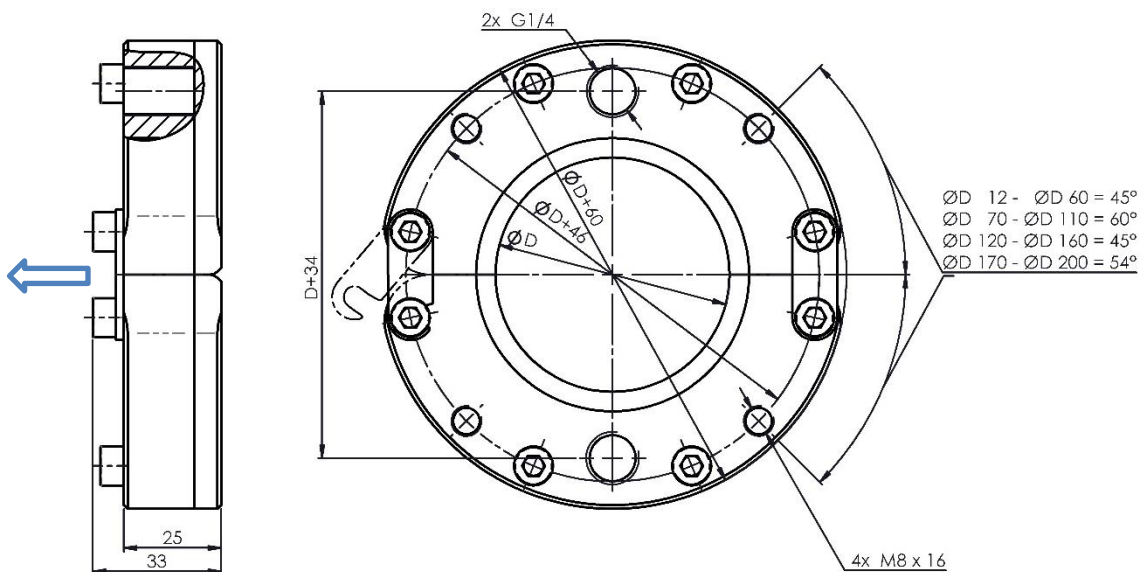
Surface treatment  
**N**... without  
**E** ... anodized

## Technical specifications

Medium	.....	compressed air filtered 25 µm
Working pressure	.....	max 8 bar
Pneumatic connections	.....	G ¼"; 2 positions
Material of the body	.....	aluminum alloy /stainless steel <i>special materials on request</i>
Surface treatment	.....	without / anodized

## Dimensions

Inner diameter	.....	20 mm up to 200 mm
Assembly connections	.....	thread 4x M8



## Accessories

See data sheets of accessories