

series VNP

Air knife straight



VNP-AL-N-0500-□□□□

Length [mm]

according to customer requirements

Material of the body

Aluminum alloy ... **AL**
Stainless steel ... **SS**

Thickness of the slot

0500 ... 0,05 mm
0800 ... 0,08 mm
1000 ... 0,1 mm
1300 ... 0,13 mm
1600 ... 0,16 mm
2100 ... 0,21 mm

Surface treatment

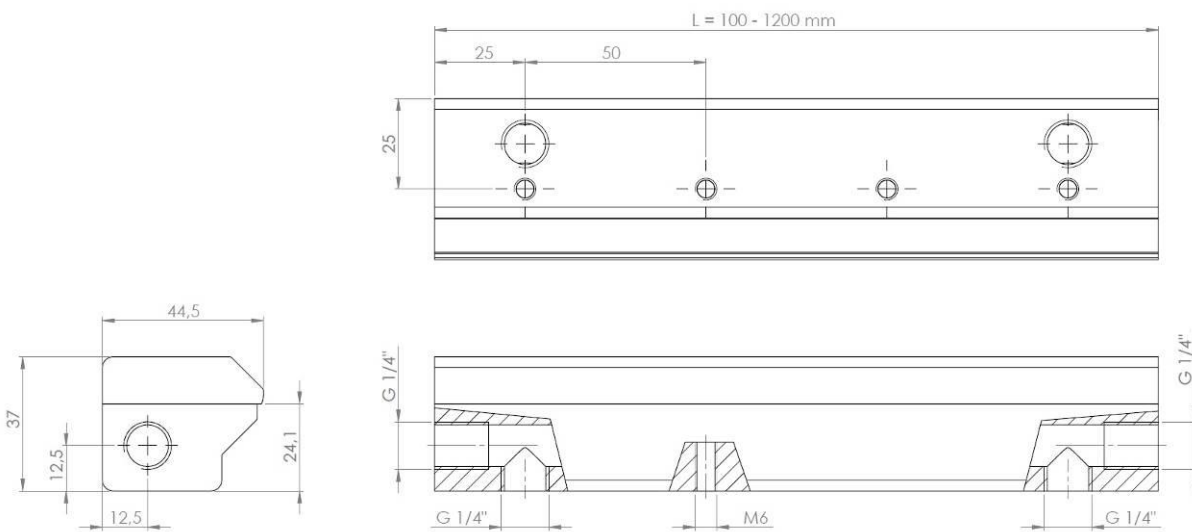
N... without
E ... anodized

Technical specifications

Medium	compressed air filtered 25 µm
Working pressure	max 8 bar
Pneumatic connections	G 1/4"; 4 positions
Material of the body	aluminum alloy /stainless steel <i>special materials on request</i>
Surface treatment	without / anodized

Dimensions

Length	100 mm up to 1200 mm
Assembly connections	thread M6;



Accessories

See data sheets of accessories