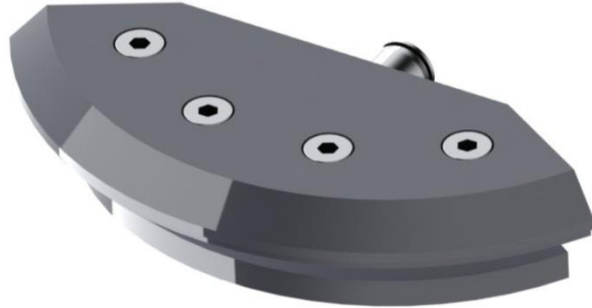


# series VNTD

# Air knife - shape "D"



**VNTD-AL-N-0500-**    -

**Material of the body**  
Aluminum alloy ... **AL**

**Thickness of the slot**  
**0500** ... 0,05 mm  
**0800** ... 0,08 mm  
**1000** ... 0,1 mm  
**1300** ... 0,13 mm  
**1600** ... 0,16 mm  
**2100** ... 0,21 mm

**Outer radius [mm]**  
according to customer requirements

**Angular range [°]**  
according to customer requirements

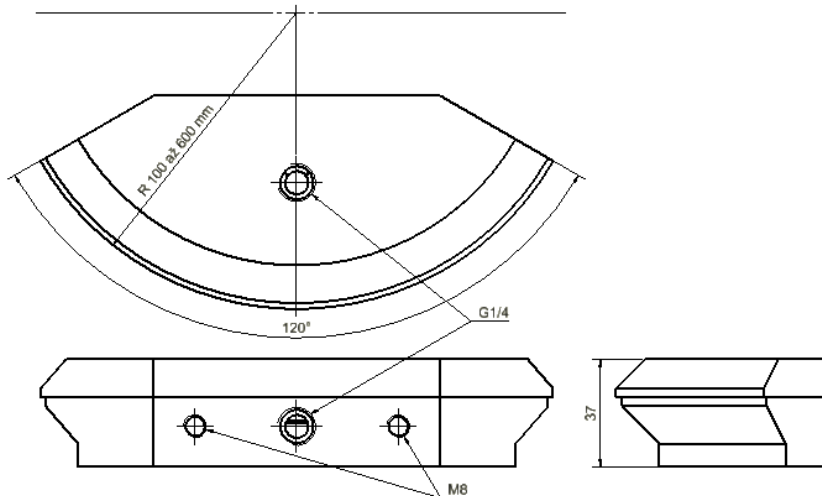
**Surface treatment**  
**N**... without  
**E** ... anodized

## Technical specifications

Medium	.....	compressed air filtered 25 µm
Working pressure	.....	max 8 bar
Pneumatic connections	.....	G ¼"; 2 positions
Material of the body	.....	aluminum alloy /stainless steel <i>special materials on request</i>
Surface tretment	.....	without / anodized

## Dimensions

Outer radius	.....	100 mm up to 600 mm
Angular range	.....	15° up to 180°
Assembly connections	.....	thread M8; 2 positions



## Accesories

See data sheets of accessories