



DJPN-AL-E-0500

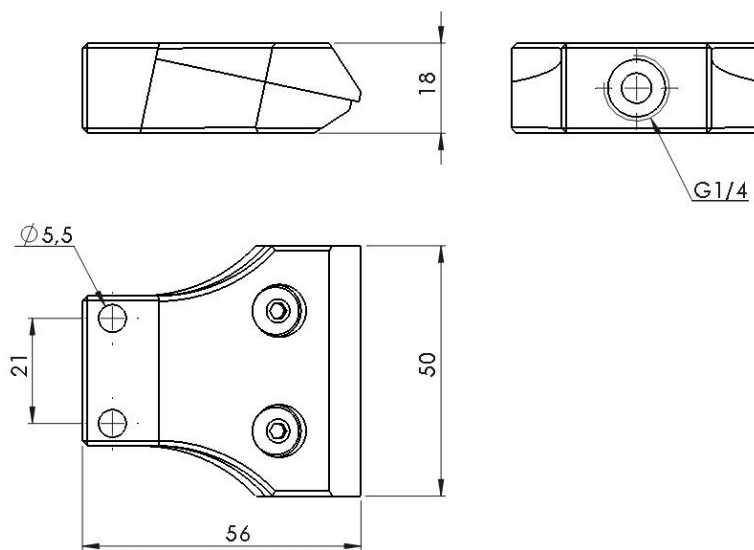
Material of the body Aluminum alloy ... AL Stainless steel ... SS	Thickness of the slot 0500 ... 0,05 mm 0800 ... 0,08 mm 1000 ... 0,1 mm 1300 ... 0,13 mm 1600 ... 0,16 mm 2100 ... ,021 mm
Surface treatment E ... anodized	

Technical specifications

Medium	compressed air filtered 25 µm
Working pressure	max 8 bar
Pneumatic connections	G ¼"; 1 position
Material of the body	aluminum alloy /stainless steel
Surface treatment	anodized

Dimensions

Length	50 mm
Assembly connections	holes for M5; 2 position



Accessories

See data sheets of accessories