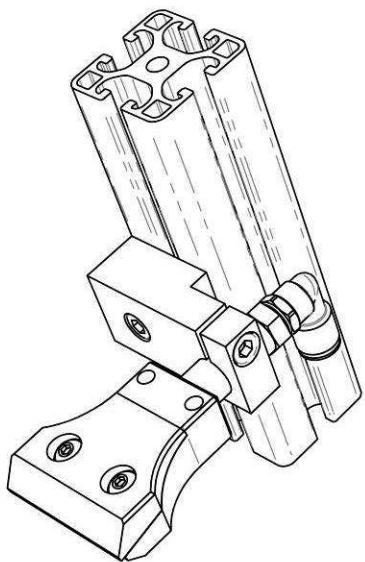


Recommended mounting

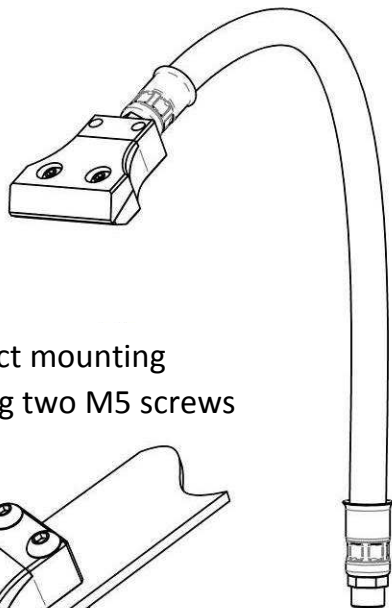
mounting on aluminium profiles

mounting kit: **MS-DJPN-1**

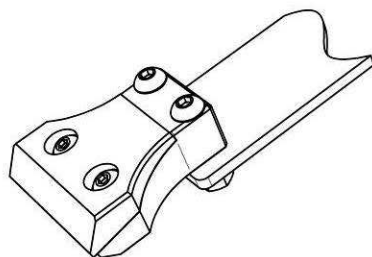


mounting on flexible hoses

hose type: **FH-14-AA-XXX (length)**

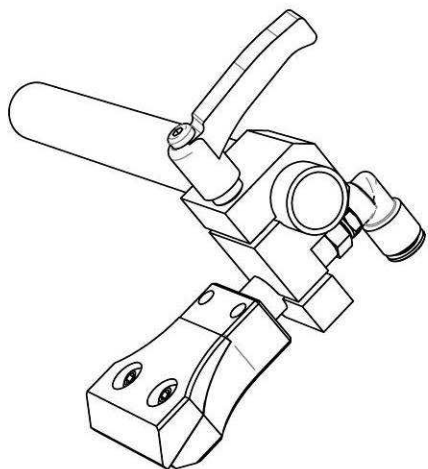


direct mounting
using two M5 screws



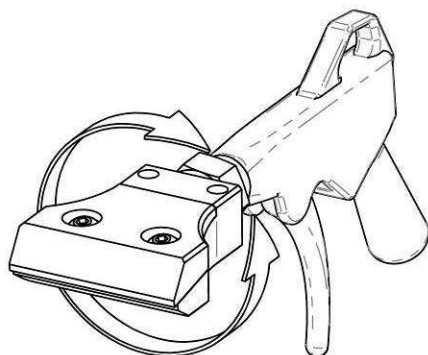
mounting on tubes

mounting kit: **MS-DJPN-2**

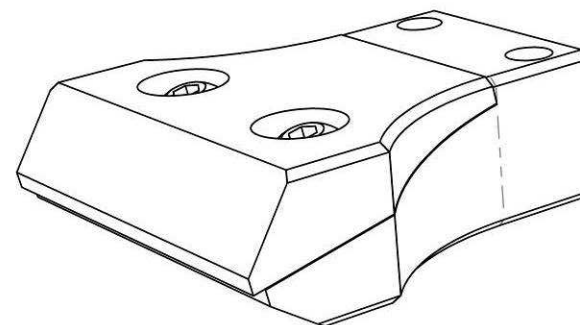


mounting on air gun

mounting kit: **MS-DJPN-3**



DJPN



MOS
technik

MOS technik s.r.o.

Jižní 724/14
742 35 Odry

Czech Republic
VAT: CZ29381045

Company office

Nádražní 29
742 35 Odry

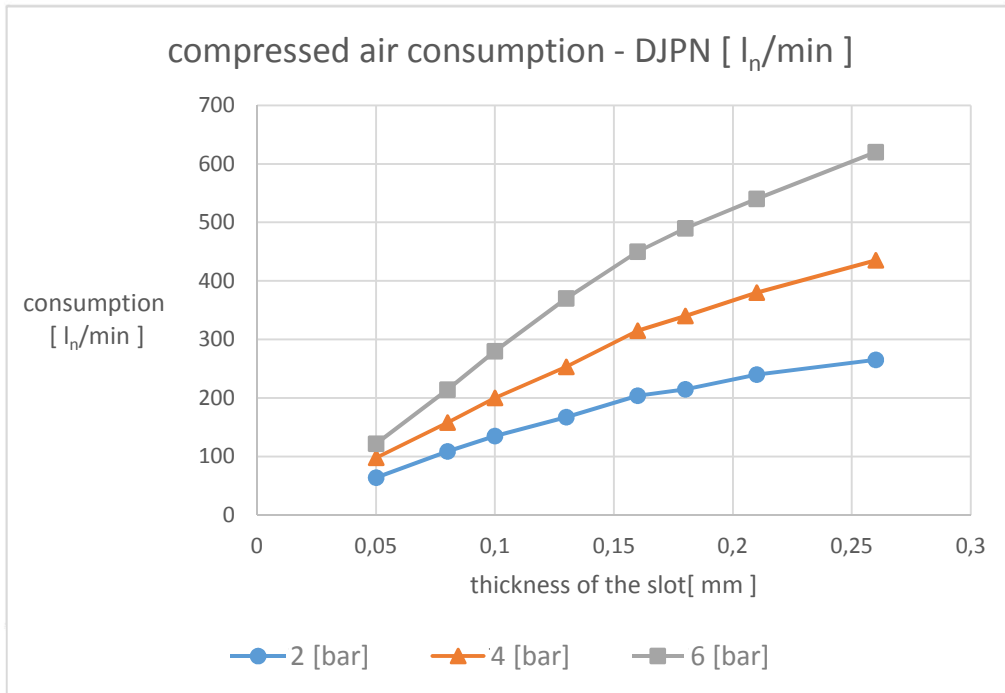
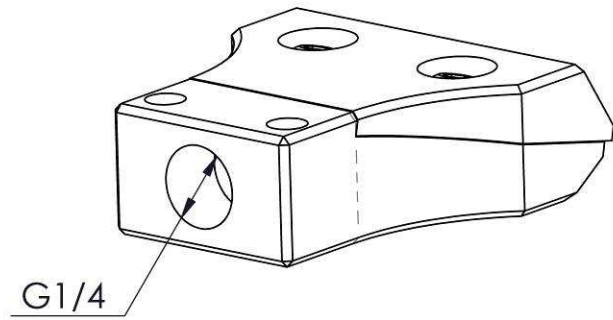
tel: +420 602 729 019

e-mail: info@mostechnik.cz

Technical details

Compressed air source

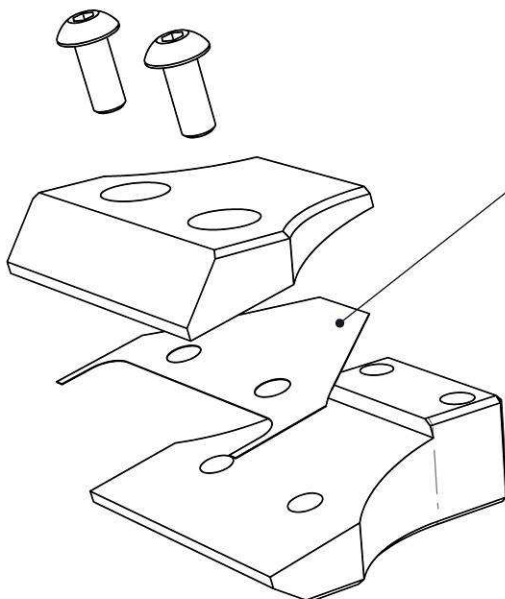
connection: 1x G 1/4"
max. pressure: 8 bar
filtered air: min. 25µm



It is necessary to ensure sufficient supply of compressed air for correct function of the nozzle.

Inlet tubes and fittings must be designed to prevent large pressure losses.

Planchet substitution



It is possible to increase the power of the air stream by planchet substitution.
Planchettes are available with thicknesses: 0,05 mm and 0,08 mm.
You can also adjust bigger thickness by combination of several planchettes.

Make sure that the **planchet is mounted in the correct position!**

