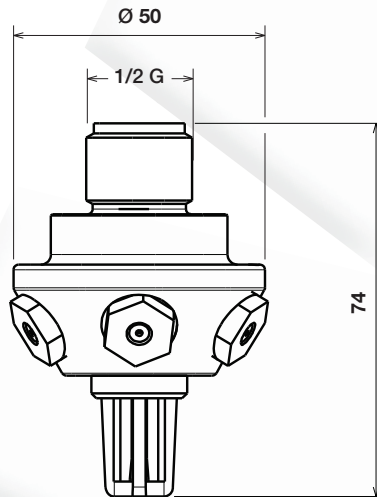


WATERMIST
Watermist nozzles



CJ TYPE NOZZLES



CJ type nozzles feature a classic multiple orifice construction, with a series of nozzles arranged on a circle over a single body. This design allows for a wide spray angle range, from about 180° to lower values. The single micro nozzles are fitted with individual inlet filter to protect the small inside passages from the danger of clogging, and with an optional temperature sensitive bulb to activate the spray when the room temperature exceeds the design value. The body contains several hollow cone nozzles, to produce a finely fractioned spray at high pressure. See the capacity table and the product code notes below.

Materials

All metal parts B31 AISI 316L Stainless steel
 Actuator seal --- Buna

Spray angle	Code	Capacity Lpm at pressure (bar)
		100
140°	* CJZ A069 B31PG	6,95
	CJZ A100 B31PG	10

* Certified according to CEN 14972



Product coding

Replace the small x in the code as follows

- CJY 1690 B31 D for dry nozzles (without glass bulb)
- CJY 1690 B31 W for wet nozzles (with 57 C° glass bulb)
- CJY 1690 B31 Z for wet nozzles (with 68 C° glass bulb)