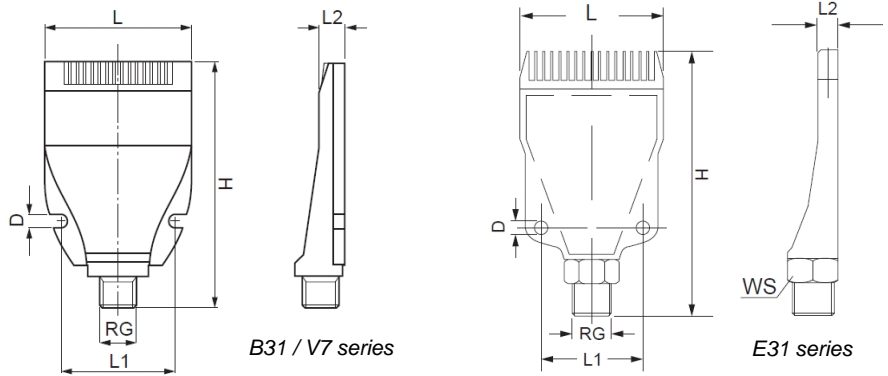
	<h1 style="margin: 0;">DATA SHEET</h1>				TSTE	DS RNP 1500x19
					Rev.	A
Product code	<h2 style="margin: 0;">UEA 052x Air Blower</h2>	Dwg rev.	<h2 style="margin: 0;">A</h2>	Date	24/03/2015	
				Page	1 di 1	

These air blowers have been designed for applications where a flat blade-shaped air stream, with specifically high impact is offered which for example cover a given width on a moving conveyor. Here again the outside profile obtains a strong entrainment action over the surrounding atmosphere, generating a high impact laminar air blade, and avoiding the highly turbulent conditions of a free air jet with consequent loss of energy and high noise.



UEA 0527 B31MG



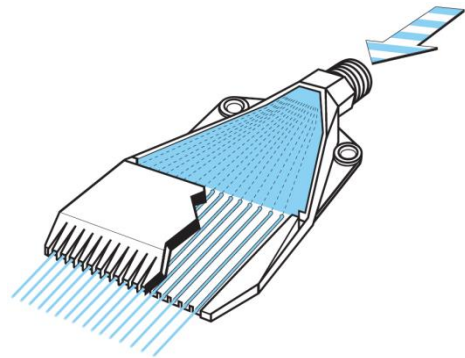
Application

- Remove water from product surface
- Blow off flocks and water

These air blowers meet the requirements of American OSHA regulations.

Material

- B31** = AISI 316L Stainless Steel
- V7** = Aluminum, electroless nickel plated
- E31** = Polyacetalic resin (POM)



Code	RG [inch]	Air capacity at different pressure values					[Nm ³ /h] [bar]	H [mm]	L [mm]	L1 [mm]	L2 [mm]	D [mm]	WS [mm]
		1.0	2.0	3.0	4.0	5.0							
NEW UEA 0527 B31 xx	1/4"	10	17	22	28	33	86,5	51	40,4	8,6	5	n/a	
UEA 0527 V7 xx	1/4"	10	17	22	28	33	86,5	51	40,4	8,6	5	n/a	
UEA 0525 E31 xx	1/4"	10	17	22	28	33	90	48	35	7	5	16	

xx = thread code: BSPP, BSPT, NPT available upon request on different products.

