	<h1 style="margin: 0;">DATA SHEET</h1>				TSTE	DS RNP 150024
					Rev.	A
	Product code	<h2 style="margin: 0;">UBT Tank wash head</h2>	Dwg rev.	<h3 style="margin: 0;">A</h3>	Date	26/03/2015
					Page	1 di 1



UBT S460 B31CG



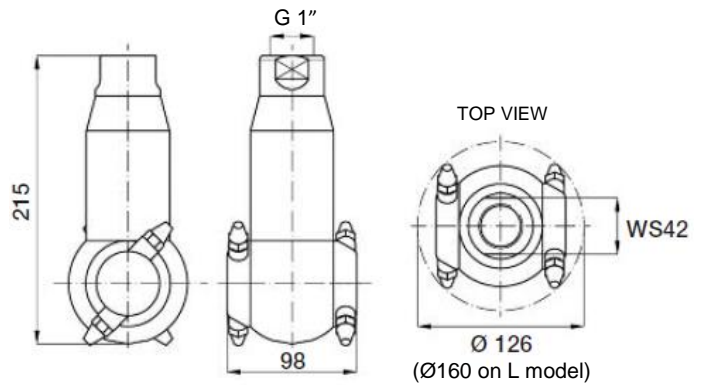
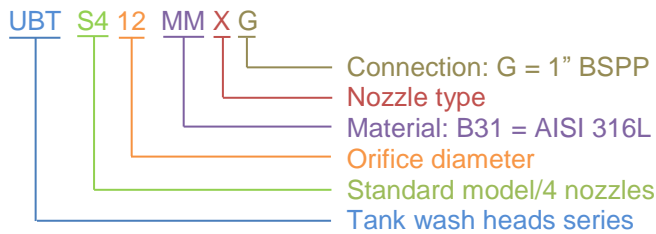
UBT S460 B31LG

The UBT series tank wash heads are very sophisticated devices designed with a robust structure and constructed with the latest technology to allow for high performance and providing excellent disinfection after each wash cycle.

These characteristics are ideal for the automatic cleaning of industrial tanks and vessels. The nozzle movement is operated through an internal epicyclical gear reducer which enables to drive the jet paths according to a preset grid over the tank surface, providing a perfect cleaning of every single area inside the tank.

Each side hub is equipped with two nozzles whose orifice diameter determines the total water flow rate. Depending on the application and size of the manhole, two different types of nozzle, short and long, can be used.

PNR coding



Orifice diameter

45 = Ø4,5 mm; 60 = Ø6,0 mm

Nozzle type

C = Short, 20 mm; L = Long, 50 mm;

Code	Nozzle diameter [mm]	Nozzle length [mm]	Capacity at different pressure values							Weight [kg]
			4.0	5.0	6.0	7.0	8.0	9.0	10	
UBT S445 B31CG	4,5	20	88	92	100	108	115	121	130	3,6
UBT S445 B31LG	4,5	50	88	92	100	108	115	121	130	3,6
UBT S460 B31CG	6,0	20	115	120	130	138	150	158	162	3,6
UBT S460 B31LG	6,0	50	115	120	130	138	150	158	162	3,6

