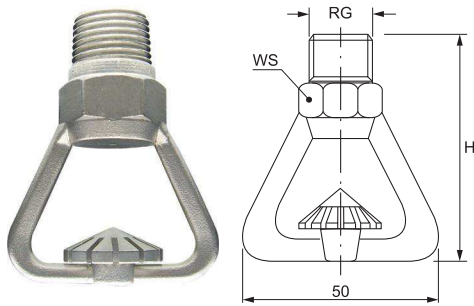
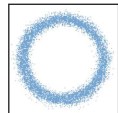


## DEFLECTED SPRAY

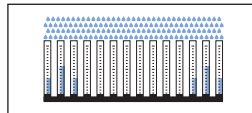
RO hollow cone deflected spray nozzles are specially designed for fire-fighting engineering. They produce an excellent water atomization and their deflected jet assures a wide spray coverage. The spray pattern is formed by the liquid flowing from the nozzle orifice over the surface of the below deflector with a special slotted design. All RO nozzles are certified by the EU fire regulations.



- **Thread specification:** BSPT, NPT
- **Typical applications**  
**Fire-fighting:** fire extinguishing, cooling  
**Other applications:** tank cleaning, exhaust scrubbers



Spray section



Concave distribution



Code	RG inch	D mm	Capacity at different pressure values (l/min) (bar)						WS mm	H mm	
			1.0	3.0	5.0	6.0	7.0	10.0			
130°											
ROY D005 xx yy	1/2"	3.0	4.80	8.10	10.3	11.3	12.2	14.5	25	65	
ROY D006 xx yy		3.5	6.70	11.5	14.9	16.4	17.6	20.5			
ROY D009 xx yy		4.0	9.00	15.6	20.0	22.0	24.0	29.0			
ROY D011 xx yy		4.5	11.5	19.8	25.0	28.0	30.0	36.0			
ROY D016 xx yy		5.0	15.8	27.0	35.0	39.0	42.0	50.0			
ROY D018 xx yy		5.5	18.0	30.0	40.0	44.0	48.0	57.0			
ROY D023 xx yy		6.0	23.0	39.0	50.0	55.0	60.0	71.0			
ROY D027 xx yy		6.5	27.0	47.0	61.0	66.0	72.0	86.0			
ROY D032 xx yy		7.0	31.0	55.0	72.0	77.0	84.0	91.0			
ROY D041 xx yy		8.0	41.0	70.0	92.0	103	112	130			
ROY D052 xx yy		9.0	52.0	91.0	117	129	140	165			
ROY D064 xx yy		10.0	64.0	110	139	152	165	200			
ROY D095 xx yy		12.0	95.0	164	214	236	255	290			
ROY D103 xx yy		13.0	103	178	230	252	272	325			

130°											
ROY E005 xx yy	3/4"	3.0	4.80	8.10	10.3	11.3	12.2	14.5	27	65	
ROY E006 xx yy		3.5	6.70	11.5	14.9	16.4	17.6	20.5			
ROY E009 xx yy		4.0	9.00	15.6	20.0	22.0	24.0	29.0			
ROY E011 xx yy		4.5	11.5	19.8	25.0	28.0	30.0	36.0			
ROY E016 xx yy		5.0	15.8	27.0	35.0	39.0	42.0	50.0			
ROY E018 xx yy		5.5	18.0	30.0	40.0	44.0	48.0	57.0			
ROY E023 xx yy		6.0	23.0	39.0	50.0	55.0	60.0	71.0			
ROY E027 xx yy		6.5	27.0	47.0	61.0	66.0	72.0	86.0			
ROY E032 xx yy		7.0	31.0	55.0	72.0	77.0	84.0	91.0			
ROY E041 xx yy		8.0	41.0	70.0	92.0	103	112	130			
ROY E052 xx yy		9.0	52.0	91.0	117	129	140	165			
ROY E064 xx yy		10.0	64.0	110	139	152	165	200			
ROY E095 xx yy		12.0	95.0	164	214	236	255	290			
ROY E103 xx yy		13.0	103	178	230	252	272	325			

### COMPLETE NOZZLE CODE

Code	Thread	Filter	
		Copper	None
FB	BSPT	•	
FN	NPT	•	
SB	BSPT		•
SN	NPT		•

### HOW TO MAKE UP THE NOZZLE CODE

EX.: ROY 1810 B31FB

