



# PRODUCT DATA SHEET

Product Code

## UBT

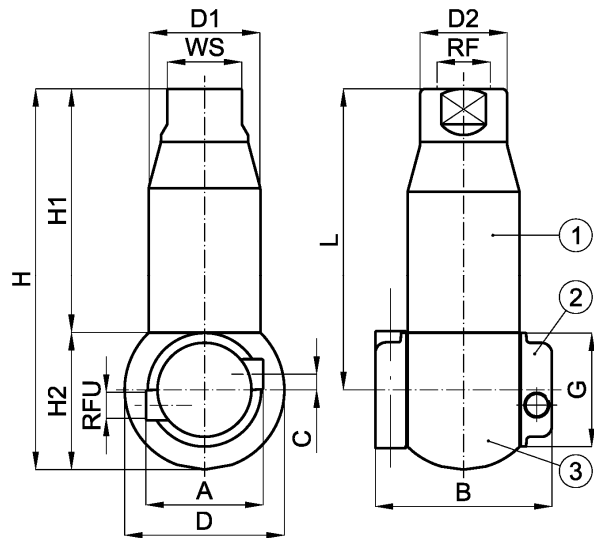
Rev. dwg **A0**

TSTE: **UBT001**

Rev. A

Date: 08/02/2010

Page: 1 of 2



OUTSIDE DIMENSIONS [mm]

RF	RFU	WS	A	D	D1	D2	G	H	H1	H2	L	B	C
G1	G1/4	42	66	90	63	49	64	215	138	77	170	98	8,75

**CATEGORY:** TWIN AXIS WASHING HEAD

**SERIES :** UBT

The UBT heads combine the rotational movement of the body with the one of the nozzle discs to obtain a 360° spray coverage wich allows for complete washing of the tank inner surface.

Each nozzle carrying disk is fitted with two nozzles, where the nozzles orifice diameter determines the total water flow rate.

Depending upon the application and the tank manhole size two different nozzle types can be used:

Short nozzle: 20 mm long (orifice diameter 4,5 or 6,0 mm)

Long nozzle: 50 mm long (orifice diameter 4,5 or 6,0 mm)

AISI 316L (WN 1.4404)	metal parts
PEEK	Gears
POM	Seals & Bushing

**THREAD:** G 1, female BSPP

**Spec.:** ISO 228, DIN 259; BS 2779

RECOMMENDED OPERATION CONDITIONS

$P_{MIN}$ [bar]	3,0	$P_{MAX}$ [bar]	15	$T_{MAX}$ Operativa [°C]	95°	$T_{MAX}$ Ambiente [°C]	140
-----------------	-----	-----------------	----	--------------------------	-----	-------------------------	-----

WATER FLOW RATE AT DIFFERENTE PRESSURE VALUES [lpm @ bar]

Model	N	Ø [mm]	3,0	4,0	5,0	6,0	7,0	8,0	9,0	10,0
<b>UBT S445 B31CG</b>	4	4,5	75	85	94	103	109	114	121	126
<b>UBT S460 B31CG</b>	4	6,0	100	112	120	132	138	150	159	164

Prepared by : P. STROCCHI    Checked by: F. TONINI    First Issue Date 10/02/2010



# PRODUCT DATA SHEET

Product Code

## UBT

Rev. dwg **A0**

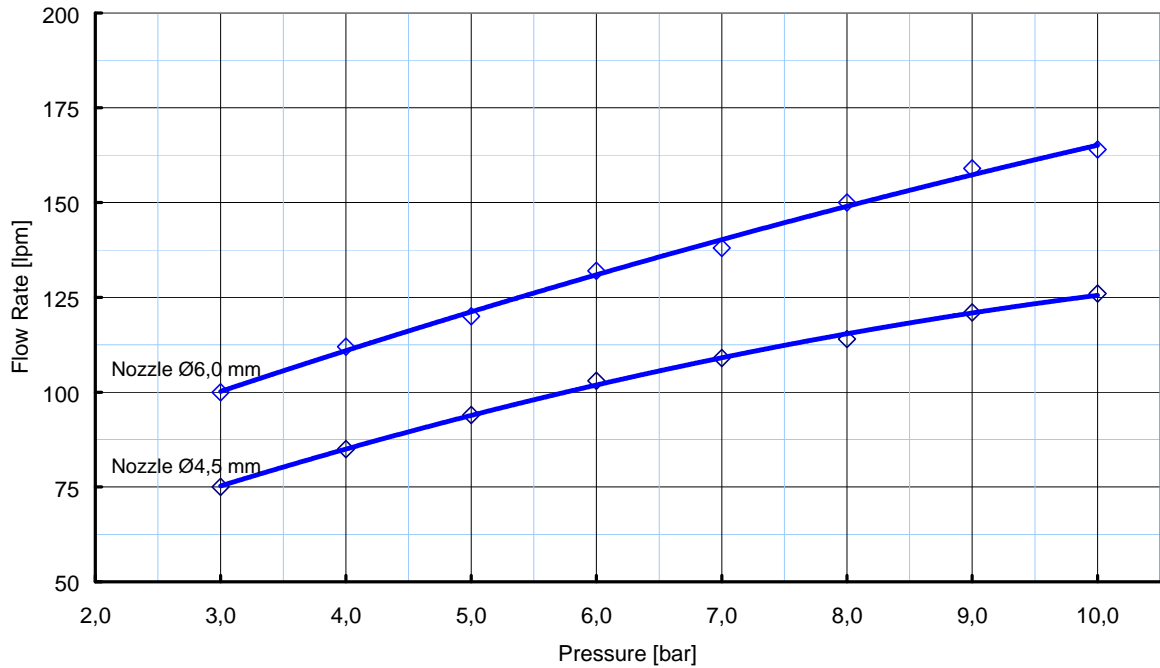
TSTE: **UBT001**

Rev. **A**

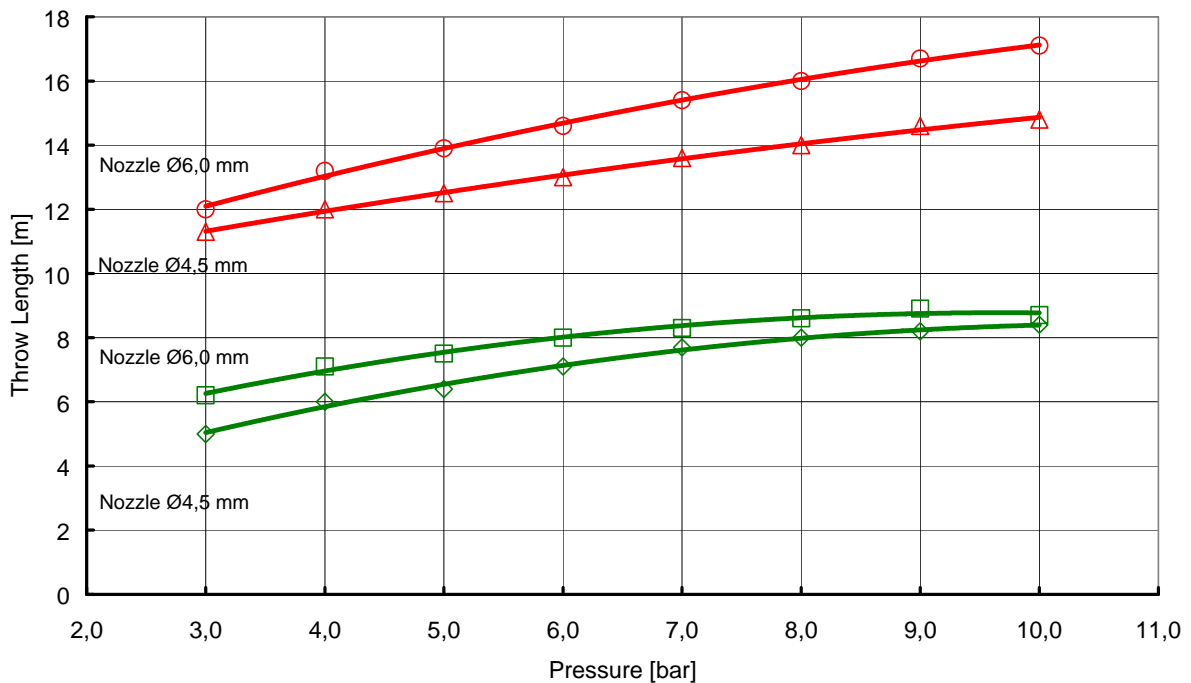
Date: **08/02/2010**

Page: **2 of 2**

### Flow Rate vs Pressure



### Washing / Wetting Radius



Prepared by : P. STROCCHI

Checked by: F. TONINI

First Issue Date 10/02/2010