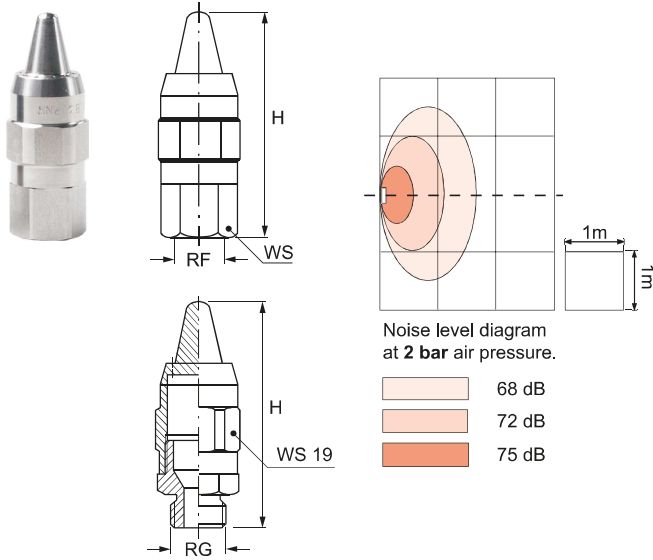


UEA D020 (FULL CONE NOZZLES)



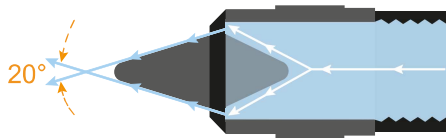
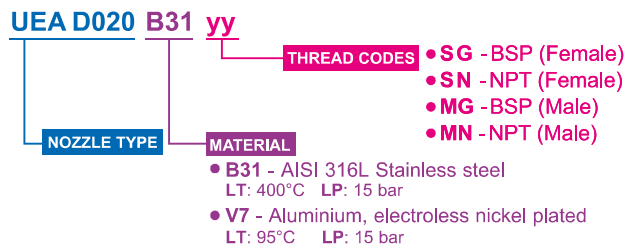
AIR BLOW-OFF NOZZLES, ROUND JET

UEA D020 compressed air blowing nozzles produce a powerful air jet concentrated on a well defined impact point. They are specially designed for deep and blind holes drying, produce lower noise and reduce pressure loss.

- **Thread size** 1/4"
- **Thread specification** BSP, NPT
- **Material** V7 Aluminium, electroless nickel plated
B31 AISI 316L Stainless steel
- **Typical applications** Water removal from surfaces
Flocks and water blow off

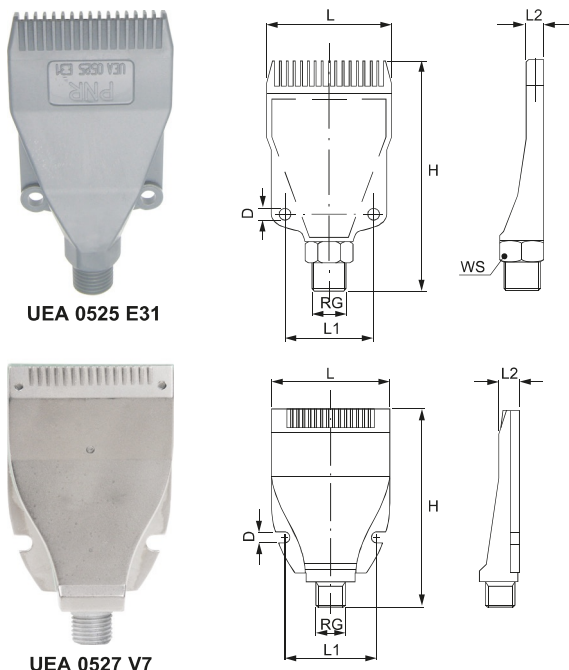
Code	RF inch	Air capacity at different pressure values (Nm ³ /hour) (bar)					H mm	WS mm
		2.0	3.0	4.0	5.0	6.0		
UEA D020 xx yy	1/4"	15	20	25	31	35	55	17

HOW TO MAKE UP THE NOZZLE CODE EX.: UEA D020 B31SG



These air blowers meet the requirements of American OSHA regulations

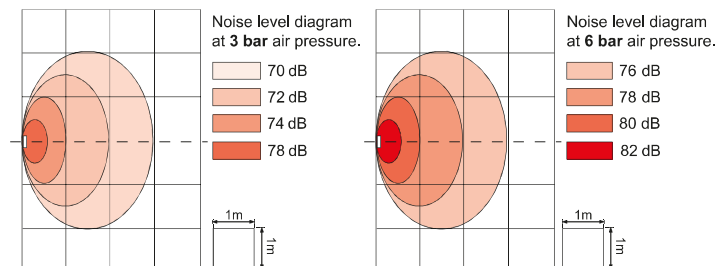
UEA 0525 / 0527 (AIR BLOWERS - FLAT FAN)



AIR BLOWERS, FLAT FAN

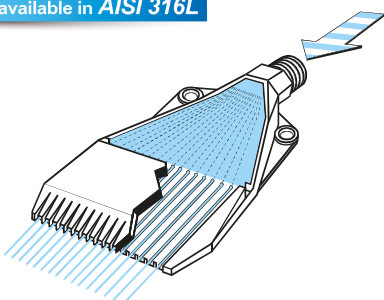
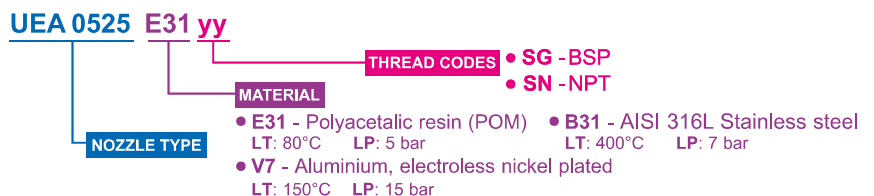
UEA series compressed air blowers are the best choice for operating environments requiring strong impact laminar sprays. The compressed air flow is blown through 16 orifices producing a strong impact jet, limited noise level and uniform spray. They are suitable to be installed on moving conveyors.

- **Thread size** 1/4"
- **Thread specification** BSPT, NPT
- **Material** E31 Polyacetalic resin (POM)
V7 Aluminium, electroless nickel plated
B31 AISI 316L
- **Typical applications** Water removal from surfaces
Flocks and water blow off



Code	RG inch	Air capacity at different pressure values (Nm ³ /hour) (bar)					H mm	L mm	L1 mm	L2 mm	D mm	WS mm
		1.0	2.0	3.0	4.0	5.0						
UEA 0525 E31 yy	1/4"	10	17	22	28	33	90.0	48	35	6.5	4.5	16
UEA 0527 xx yy		10	17	22	28	33	86.5	51	40	9.0	5.1	17

HOW TO MAKE UP THE NOZZLE CODE EX.: UEA 0525 E31SG



These air blowers meet the requirements of American OSHA regulations