

## ATOMIZZATORI ULTRASONICI ULTRASONIC ATOMIZERS ATOMIZADORES ULTRASÓNICOS

### Caratteristiche

Gli atomizzatori ultrasonici garantiscono le gocce più piccole in commercio. Grazie al risonatore posto di fronte alla uscita dell'orifizio le gocce vengono ulteriormente frazionate garantendo gocce piccole con una distribuzione uniforme.

### Characteristics

The ultrasonic atomizers guarantee the smallest droplet sizes on the commerce. Thanks to the resonator situated after the orifice, the droplets are further divided in order to guarantee smallest droplet and uniform distribution.

### Características

Los atomizadores ultrasonicos garantizan los tamaños de gota más pequeños en el comercio. Gracias al resonador situado después del orificio, las gotas se dividen más para garantizar gotas más pequeñas y distribución uniforme.

### Applicazioni

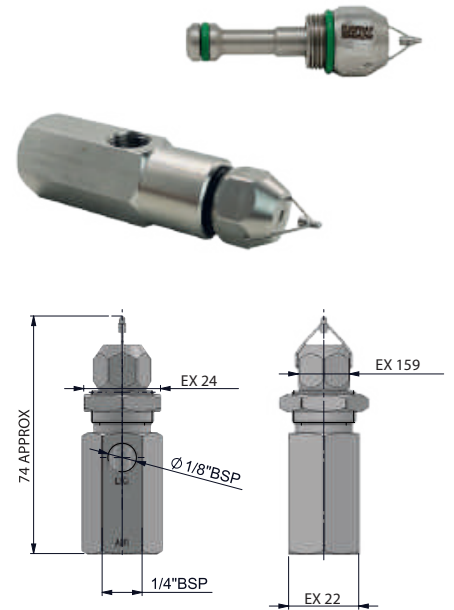
- Umidificazione aria
- Abbattimento polveri
- Abbattimento odori

### Applications

- Air Humidification
- Dust control
- Odor control

### Aplicaciones

- Humidificación del aire
- Control de polvo
- Control de olores



## ADATTORI PER ULTRASONIC ATOMIZERS ADAPTORS FOR ULTRASONIC ATOMIZERS ADAPTADORES PARA ATOMIZADORES ULTRASÓNICOS

Adattatore Standard  
Standard Adaptor  
Adaptador Estándard

Adattatore a Parete  
Wall Mounting Adaptor  
Adaptador de Pared

Valvola Antigoccia  
Anti-Drip Valve  
Válvula Antigoteo

Valvola Antigoccia  
Anti-Drip Valve  
Válvula Antigoteo



Codice adattatore  
Code adaptor  
Código adaptador:  
**ILADATSN**

**Material:** aisi 303  
**Connection:** 1/4" bsp female (air);  
1/8" bsp female (liquid)

Codice adattatore  
Code adaptor  
Código adaptador:  
**ILADATAPSN**

**Material:** aisi 303  
**Connection:** 1/4" bsp female (air);  
1/8" bsp female (liquid)

Codice valvola  
Code valve  
Código válvula:  
**ALSNAV**

**Material:** aluminium  
**Connection:** 1/8" bsp female (air);  
1/8" bsp female (liquid)

Codice valvola  
Code valve  
Código válvula:  
**IOSNAV**

**Material:** brass + Aisi 303  
**Connection:** 1/8" bsp female (air);  
1/8" bsp female (liquid)

Code And Angle	Air Pressure (Bar)	Liquid Pressure (Bar)							
		0,5		1		1,5		2	
		AIR. cons. (L/min)	H2O cons. (L/h)	AIR. cons. (L/min)	H2O cons. (L/h)	AIR. cons. (L/min)	H2O cons. (L/h)	AIR. cons. (L/min)	H2O cons. (L/h)
ISN052W (Wide Angle)	4	102	13.8	101	19.8	99	25.2	101	28.8
	4.5	110	13.2	95	18.0	99	24.0	98	28.2
	5	116	12.6	98	16.8	99	22.2	99	26.7
	5.5	110	9.9	107	15.3	108	21.0	105	25.5
	6	118	8.4	116	15.0	116	18.6	116	22.8
ISN047M (Medium Angle)	4	179	18.0	179	34.8	180	46.2	181	52.8
	4.5	193	16.5	196	30.0	193	43.8	193	51.6
	5	208	13.8	210	27.0	209	42.0	210	49.8
	5.5	221	10.5	224	21.0	226	37.8	224	49.2
	6	236	7.2	240	18.6	236	36.0	239	47.4
ISN033N (Narrow Angle)	4	239	37.8	236	60.0	228	75.6	232	90.0
	4.5	263	38.4	263	58.8	262	73.2	261	86.4
	5	327	33.0	327	51.2	321	69.6	323	82.8
	5.5	358	30.0	360	48.0	358	67.2	357	81.6
	6	393	27.0	392	43.2	388	62.4	388	81.4