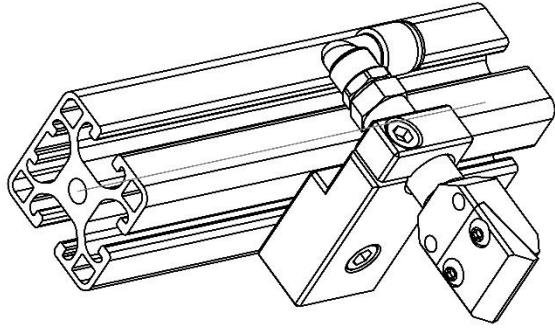


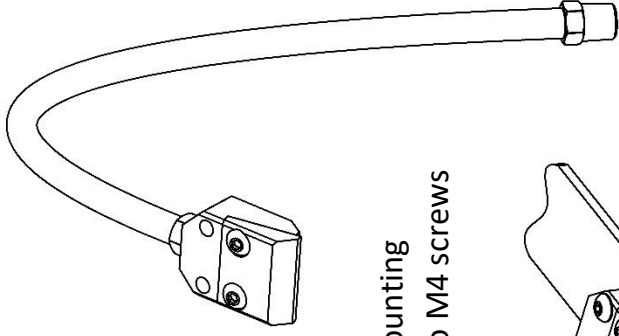
Recommended mounting

mounting on aluminium profiles

mounting kit: **MS-TV-1**

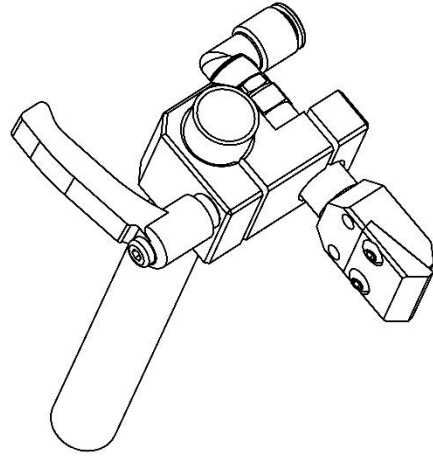


mounting on flexible hoses
hose type: **FH-M-18-AA-XXX** (length)

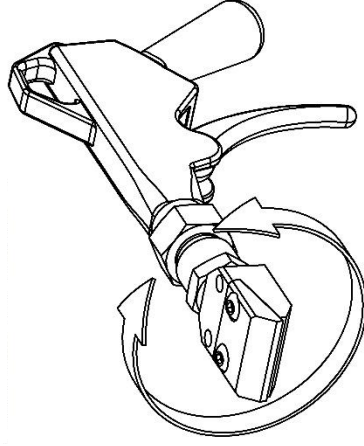


direct mounting
using two M4 screws

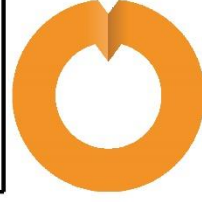
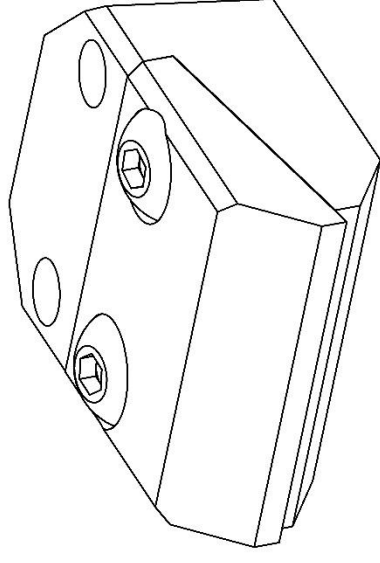
mounting on tubes
mounting kit: **MS-TV-2**



mounting on air gun
mounting kit: **MS-DJPS-1**



DJPS



MOS techník s.r.o.
Jižní 724/14
742 35 Odry

Company office
Nádražní 29
742 35 Odry

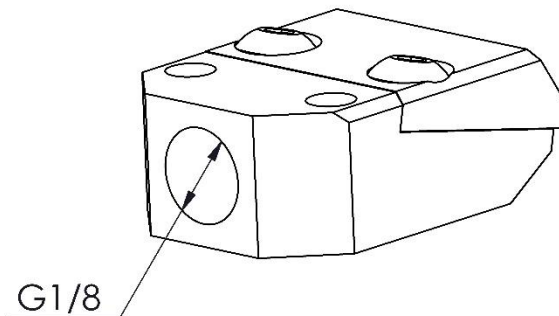
Czech Republic
VAT: CZ29381045

tel: +420 602 729 019
e-mail: info@mostechnik.cz

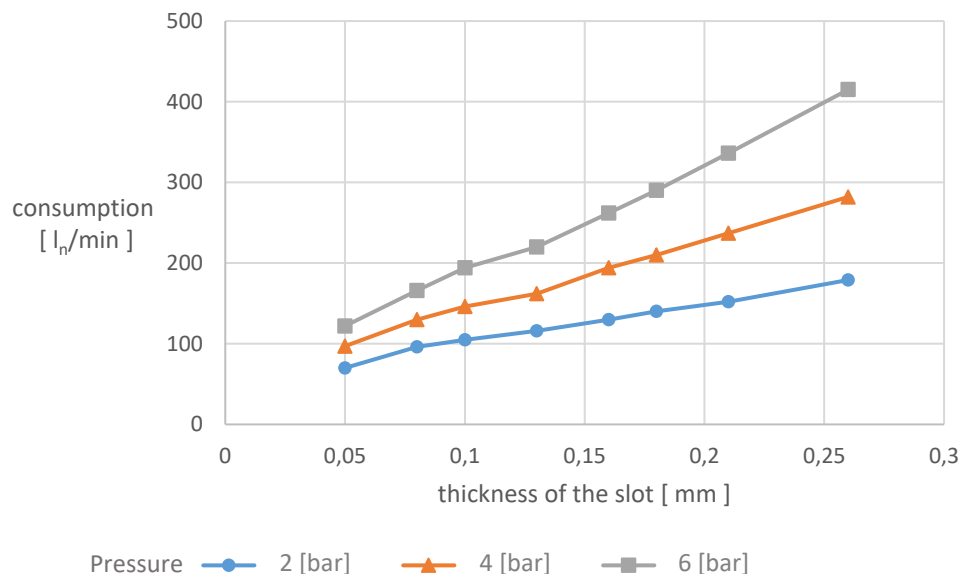
Technical details

Compressed air source

connection: 1x G 1/8"
max. pressure: 8 bar
filtered air: min. 25µm



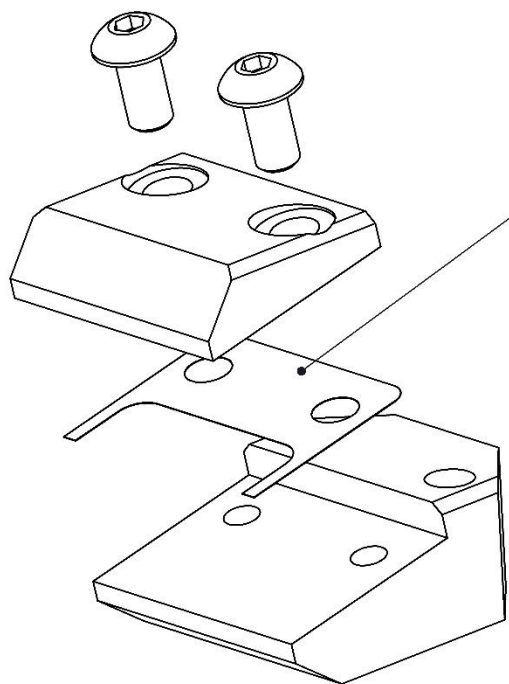
compressed air consumption - DJPS [l_n/min]



It is necessary to ensure sufficient supply of compressed air for correct function of the nozzle.

Inlet tubes and fittings must be designed to prevent large pressure losses.

Planchet substitution



It is possible to increase the power of the air stream by planchet substitution. Planchettes are available with thicknesses: 0,05 mm and 0,08 mm. You can also adjust bigger thickness by combination of several planchettes.

Make sure that the **planchet is mounted in the correct position!**

