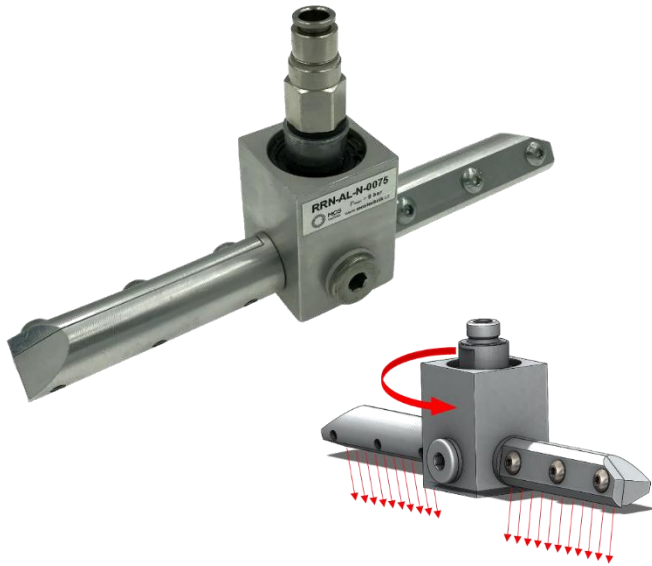


series RRN

Rotary impact air knife



RRN-AL-N-0500-

	Length [mm] According to customer request
Material of the body Aluminum alloy ... AL	Thickness of the slot 0500 ... 0,05 mm 0800 ... 0,08 mm 1000 ... 0,1 mm 1300 ... 0,13 mm 1600 ... 0,16 mm 2100 ... 0,21 mm
	Surface treatment N ... without E ... anodized

Technical specification

Medium	compressed air filtered 25 µm
Working pressure	max 8 bar
Pneumatic connections	G ¼" male thread
Material of the body	aluminum alloy
Surface treatment	without / anodized
Rotation speed	possibility set up thickness of the slot

Dimensions

Length	50 mm up to 130 mm
Assembly connections – thread G	male thread G ¼"

