

# type VNCI

# Air knife circular internal



**VNCI-AL-N-0500-**

<b>Material of the body</b> Aluminum alloy ... <b>AL</b> Stainless steel ... <b>SS</b>	<b>Thickness of the slot</b> <b>0500</b> ... 0,05 mm <b>0800</b> ... 0,08 mm <b>1000</b> ... 0,1 mm <b>1300</b> ... 0,13 mm <b>1600</b> ... 0,16 mm <b>2100</b> ... 0,21 mm	<b>Outer diameter [mm]</b> according to customer requirements
<b>Surface treatment</b> <b>N</b> ... without <b>E</b> ... anodized		

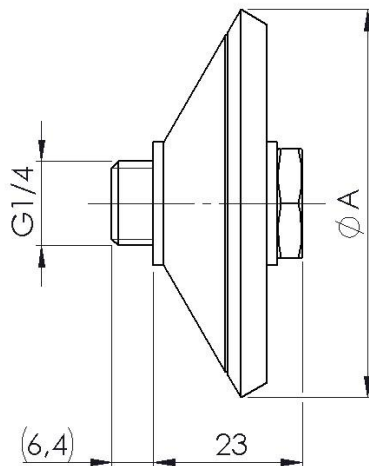
## Technical specifications

Medium	.....	compressed air filtered 25 µm
Working pressure	.....	max 8 bar
Pneumatic connections	.....	male thread G 1/4"; G 1/8" for size 30 mm
Material of the body	.....	aluminum alloy /stainless steel
Surface treatment	.....	without / anodized

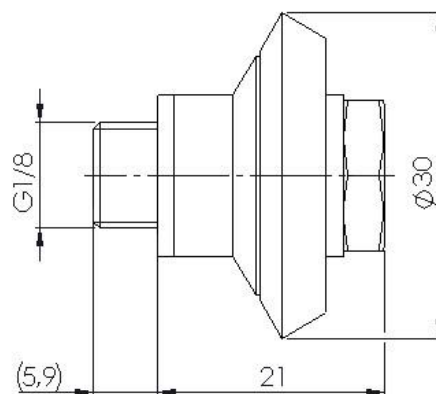
## Dimensions

Outer diameter	.....	30 mm up to 100 mm other sizes for request
----------------	-------	---

size (∅A) 40 mm up to 100 mm



size (∅A) 30 mm



## Accessories

See data sheets of accessories