



VNCJ-AL-N-0500-□□□□

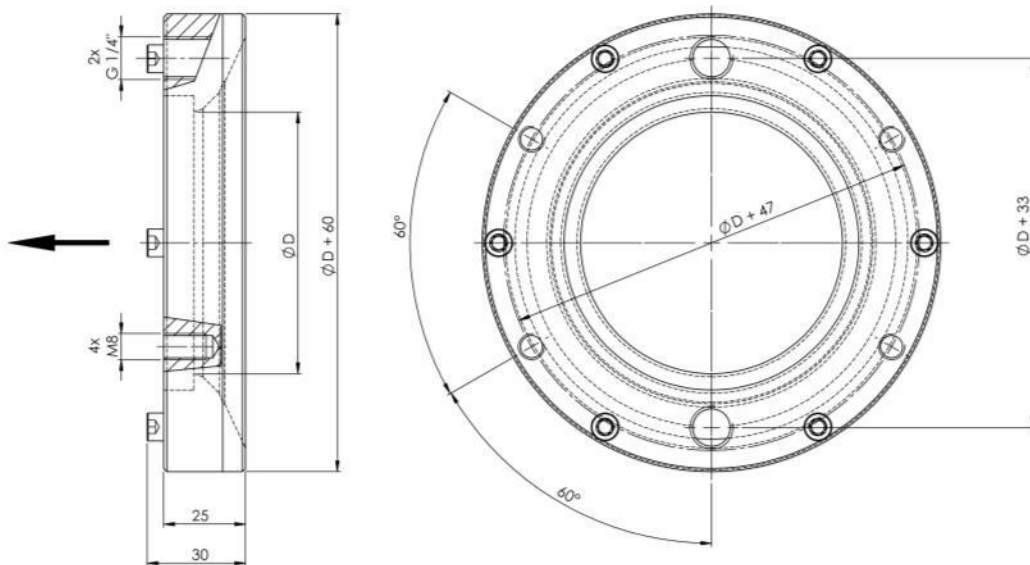
Material of the body	Inner diameter [mm] according to customer requirements
Aluminum alloy ... AL	Thickness of the slot
Stainless steel ... SS	0500 ... 0,05 mm
	0800 ... 0,08 mm
	1000 ... 0,1 mm
	1300 ... 0,13 mm
	1600 ... 0,16 mm
	2100 ... 0,21 mm
	Surface treatment
	N ... without
	E ... anodized

Technical specifications

Medium	compressed air filtered 25 µm
Working pressure	max 8 bar
Pneumatic connections	G 1/4"; 2 positions
Material of the body	aluminum alloy /stainless steel <i>special materials on request</i>
Surface treatment	without / anodized

Dimensions

Inner diameter	20 mm up to 200 mm
Assembly connections	thread M8



Accessories

See data sheets of accessories