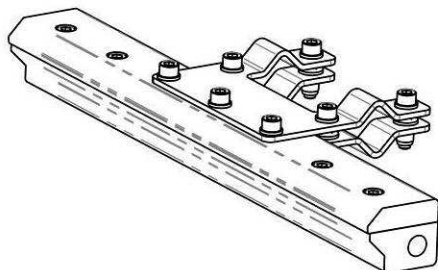
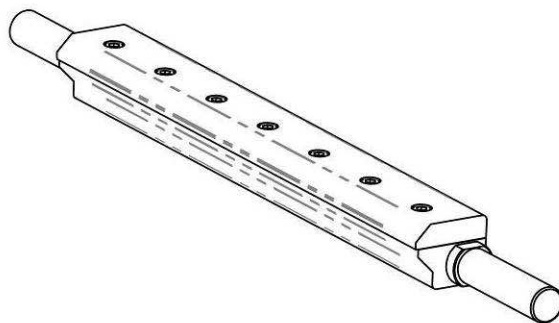


## Recommended mounting

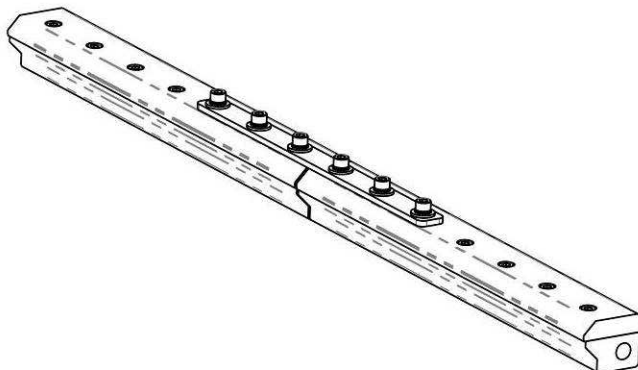
mounting on tubes  
mounting kit: **TP00SS**



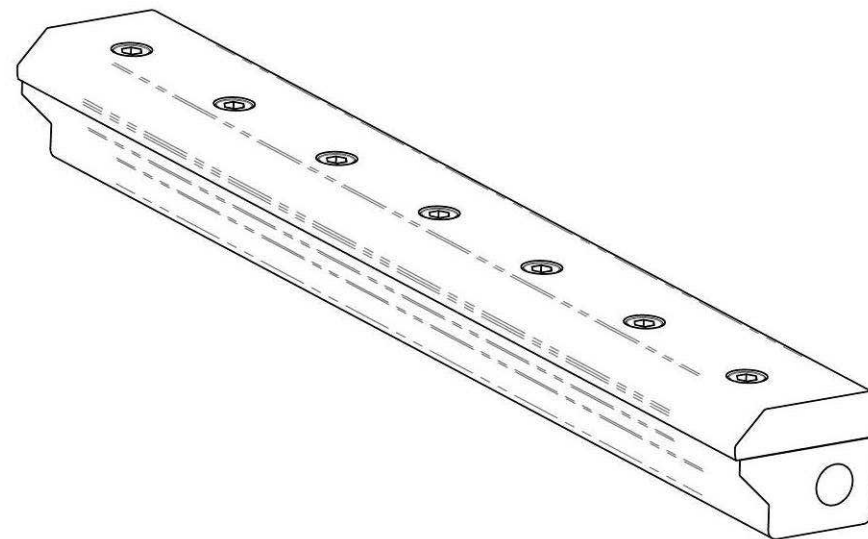
mounting using the side pivots  
mounting kit: **MC-VNP**



connection of two knives to achieve the required length  
mounting kit: **SS-VNP**



# VNP



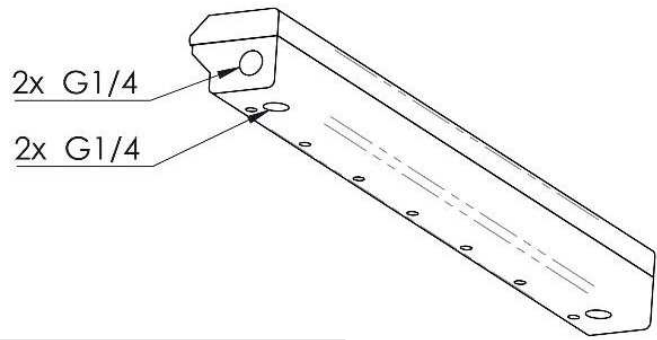
**MOS technik s.r.o.**  
Jižní 724/14  
742 35 Odry  
Czech Republic  
VAT: CZ29381045

**Company office**  
Nádražní 29  
742 35 Odry  
tel: +420 602 729 019  
e-mail: info@mostechnik.cz

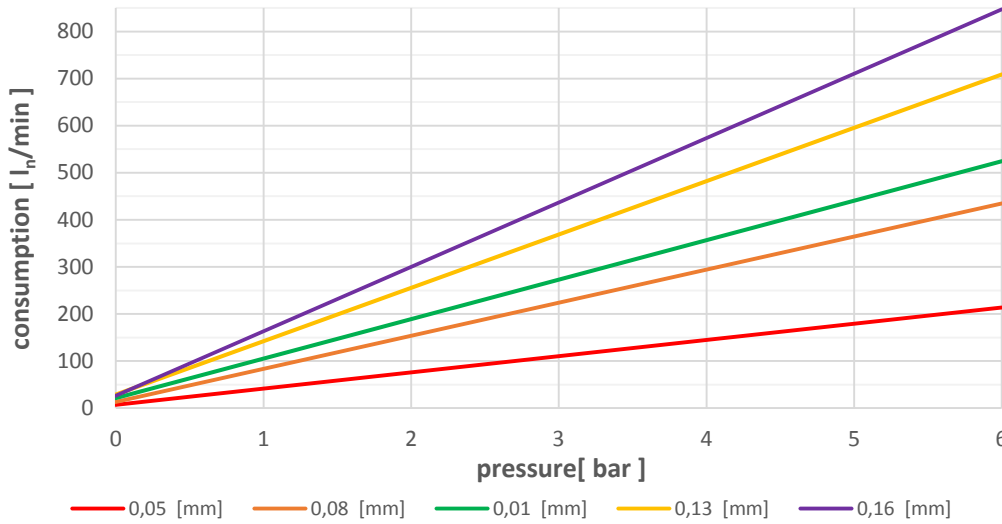
# Technical details

## Compressed air source

connection: 4x G 1/4"  
max. pressure: 8 bar  
filtered air: min. 25µm



compressed air consumption related to 100 mm length - VNP [ l<sub>v</sub>/min ]

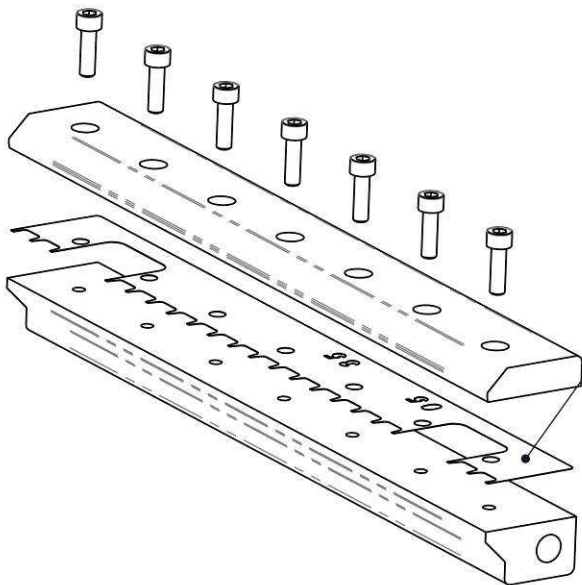


**The reported consumption is related to 100 mm length. The consumption increases proportionately with the length.**

It is necessary to ensure sufficient supply of compressed air for correct function of the knife.

Inlet tubes and fittings must be designed to prevent large pressure losses.

# Planchet substitution



It is possible to increase the power of the air stream by planchet substitution. Planchettes are available with thicknesses: 0,05 mm and 0,08 mm. You can also adjust bigger thickness by combination of several planchettes.

Make sure that the **planchet is mounted in the correct position!**

