



SYSTEMS OF SANIFICATION



SANI-GATE

PNR ITALIA FOR SANIFICATION AND DISINFECTION

The SANI-SYSTEM product range uses the new technology of PNR Italia specifically designed to make environments and surfaces safer.

The **SANI-GATE** System allows the fast and continuous disinfection of people in access to hospital premises, nursing homes, supermarkets, airports, shops, industrial companies and any other place with a great flow of people.

SANI-GATE does not require any installation, is self-supporting and powered by normal 220 V electrical cable, has therefore a very fast ground laying and can be easily attended.

During the passage of people it is also possible to treat and sanitize the footwear by placing a mat of adequate length under the portal.

The automatic photocell activation of **SANI-GATE** limits the consumption of disinfectant to the strict minimum necessary, avoids any contact between control staff and users, and is able to manage large flows of people.

Every company that operates the system can freely choose the sanitizing liquid to use, according to the specific needs of each particular case.

Pnr however reports for effectiveness and tolerability the use of *Anolyte liquid by the company ECAS4 Bologna*, which is able to provide all the necessary information to health care professionals.

The company is available to organize demonstrations on site.

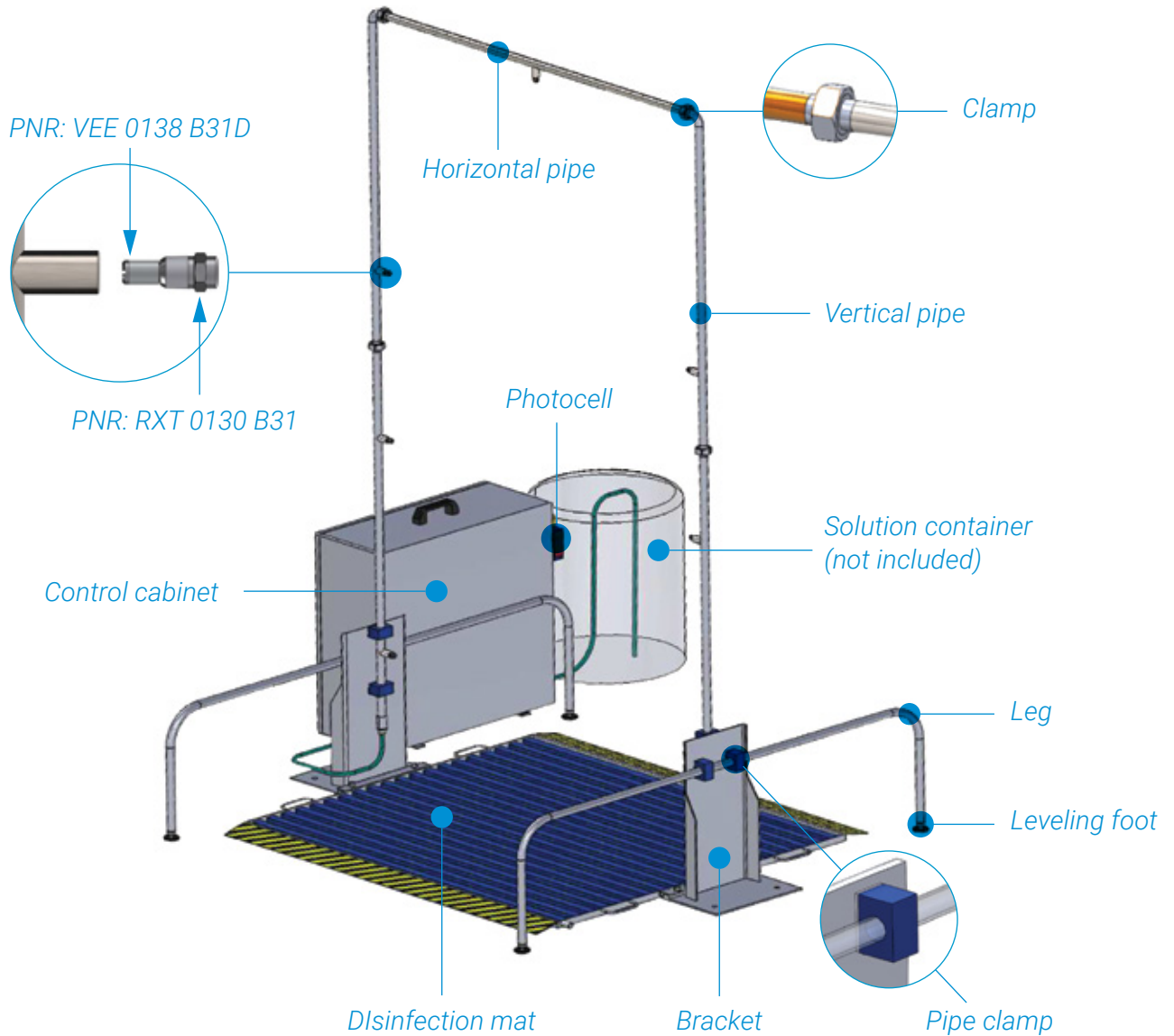
CONTACTS

PNR Italia: sales2@pnr.it

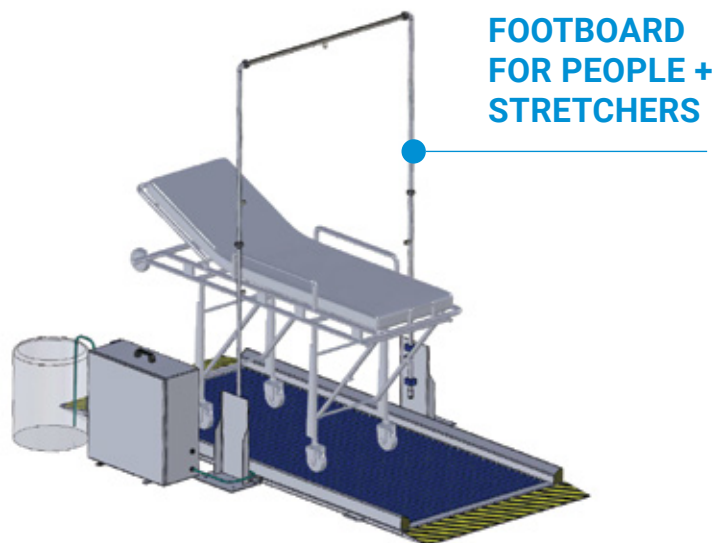
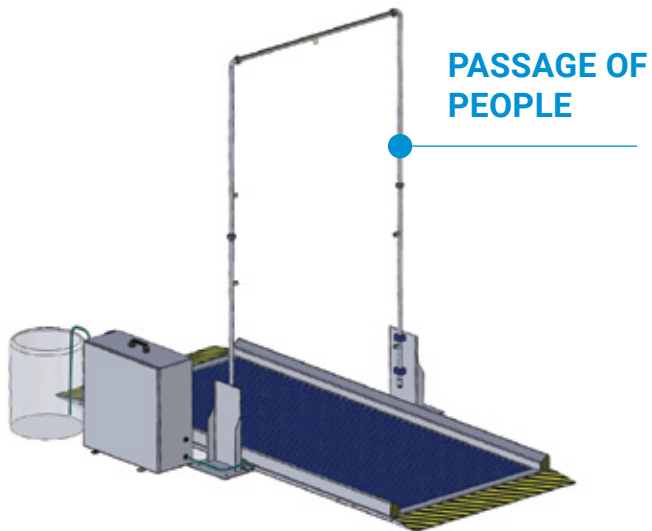
ECAS4: info@ecas4.eu

ATTENTION: comply with the manufacturer's instructions for the sanitizing/disinfectant liquid placed in the plant. PNR Italia S.r.l. does not supply the liquid to be injected into the SANI-GATE System and is not responsible for the effects of the liquid/solution used.

SANI-GATE



The passage through SANI-GATE allows the suppression of the viral load depending on the correct use of the sanitizing liquid/disinfectant used.



PNR ITALIA SRL

Via Gandini 2, 27058 Voghera (PV) Italy

Phone +39 0383 344 611, Email info@pnr.it

For more informations, please visit www.pnr.eu