

## INDICE ACCESSORI

## INDEX ACCESSORIES

## ÍNDICE ACCESORIOS

### PFAS

p. 84

PLASTIC CLAMPS



### PEE

p. 85

PLASTIC CLAMPS



### PFASDA

p. 85

PLASTIC CLAMPS



### PFASBA

p. 85

PLASTIC CLAMPS



### ZPL

p. 86

SINGLE AND DOUBLE CLIP-ON  
CLAMPS

### DPL

p. 87

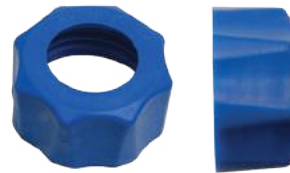
ORIENTABLE BALL NOZZLES



### NPL

p. 87

THREADED CAP



### PFASARSFE

p. 88

THREADED BALLS



### PSNODO

p. 88

ADJUSTABLE JOINT



### HANDLOCK

p. 89

QUICK CLAMPS



### UNIFFA

p. 90

QUICK COUPLERS



### UNIEDU

p. 91

EDUCTORS



### PRESSURIZED TANK

p. 92

PRESSURIZED TANK






### PRESSURIZED TANK WITH WHEELS




p. 92

PRESSURIZED TANK WITH  
WHEELS

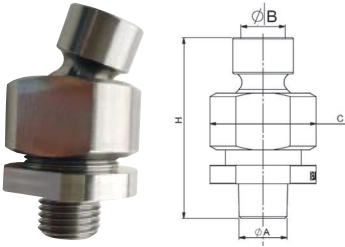
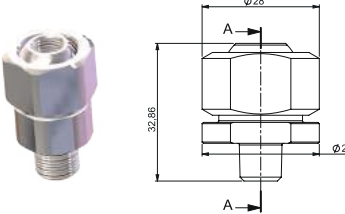
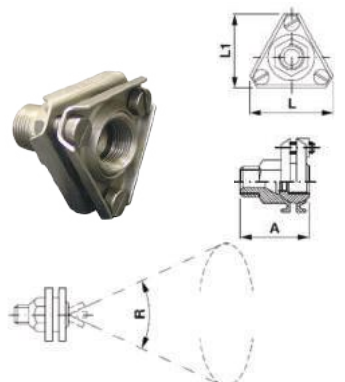


**GHIERE**  
**NUTS**  
**TUERCAS**

Pictures	Connections	Material	Color	Code	Euspray nozzles (pag.)	Max. Pressure (Bar)	
	3/8"	SS316L	STEEL	AGHIERE	C1 (11) C4 (22) KC1 (13) DH (24) CRC1 (14) BG (40) TC (15) CX (46) EC (12)	SS = 250 BRASS = 100	
	3/8"	SS303	STEEL	IGHIERE			
	3/8"	BRASS	BRASS	OGHIERE			
		3/4"	SS316L	STEEL	A4GHIERE	3/4" CRC1 (14)	SS = 120 BRASS = 50
		3/4"	SS303	STEEL	I4GHIERE		
		3/4"	BRASS	BRASS	O4GHIERE		
		11/16"	SS316L	STEEL	AGHIERE1	C1 (11) C4 (22) KC1 (13) DH (24) CRC1 (14) BG (40) TC (15) CX (46) EC (12)	SS = 250 BRASS = 100
		11/16"	SS303	STEEL	IGHIERE1		
		11/16"	BRASS	BRASS	OGHIERE1		
	3/8"	POM	●	PGHIERE	C1 (11) BG (40) KC1 (13) CX (46) EC (12) DH (24)	20	
	3/8"	NYLON	●	PGHIEREPA			
	BAYONET	PP	●	PGHIERAA03	KC1 (13) C1 (11) till flow factor (10)	20	
	BAYONET	PP	●	PGHIERAA02			
	BAYONET	PP	●	PGHIERAA04			
	BAYONET	PP	●	PGHIERAA01	BG (40) - CX (46) - DH (24)	20	
	BAYONET	PP	●	PGHIERAD03			
	BAYONET	PP	●	PGHIERAG03	C1 (11) flow factor bigger than (10)	20	
	BAYONET	PP	●	PGHIERAG04			
	BAYONET	PP	●	PGHIERAL01	PLUG / CLOSED	20	

**CORPI**  
**BODIES**  
**CUERPOS**

Pictures / Drawings	Material	Dimensions (mm)				Euspray Nozzles (Pag.)	Max. Pressure (Bar)
MALE BODY - MCORPO	SS316L SS303 BRASS	<b>A</b>	<b>B</b>	<b>D (EX)</b>	<b>L</b>	C1 (11) C4 (22) KC1 (13) DH (24) TC (15) BG (40) EC (12) CX (46)	SS = 250 BRASS = 100
		1/8" M	3/8" M	17,0	32,0		
		1/8" M	11/16" M	17,0	32,0		
		1/4" M	3/8" M	17,0	35,0		
		1/4" M	11/16" M	17,0	35,0		
		3/8" M	3/8" M	19,0	35,0		
		3/8" M	11/16" M	19,0	35,0		
FEMALE BODY - FCORPO	SS316L SS303 BRASS	<b>A</b>	<b>B</b>	<b>D (EX)</b>	<b>L</b>	C1 (11) C4 (22) KC1 (13) DH (24) TC (15) BG (40) EC (12) CX (46)	SS = 250 BRASS = 100
		1/8" F	3/8" M	17,0	30,0		
		1/8" F	11/16" M	17,0	30,0		
		1/4" F	3/8" M	17,0	32,0		
		1/4" F	11/16" M	17,0	32,0		
		3/8" F	3/8" M	19,0	33,0		
		3/8" F	11/16" M	19,0	33,0		
DOVE TAIL NIPPLES - MANCR	SS316L SS303 BRASS	<b>A</b>	<b>H *</b>	<b>D *</b>	CRC1 (14)	3/8": SS = 250 BRASS = 100  3/4": SS = 120 BRASS = 50	
		3/8"	17,0	18,0			
		3/4"	27,0	27,0			
		* we produce many different sizes of dovetail nipples basing on customer request.					

**SNODI ORIENTABILI**  
**SWIVEL JOINTS**  
**ARTICULACIONES ORIENTABLE**

Pictures / Drawings	Material	Dimensions (mm)					Euspray Nozzles (Pag.)	Max. Pressure (Bar)	
		A	B	H	C	R (<°)			
SWIVEL JOINT - SNOAPE 	SS316L SS303 BRASS	1/8"	1/8"	46,0	28,0	50	All threaded nozzles.	SS = 120 Brass = 40	
1/8"		1/4"	46,0	28,0	50				
1/4"		1/8"	46,0	28,0	50				
1/4"		1/4"	46,0	28,0	50				
3/8"		1/8"	47,0	28,0	50				
3/8"		1/4"	47,0	28,0	50				
3/8"		3/8"	49,0	28,0	50				
1/2"		1/2"	*	*	*				
		R (<°) orientation angle - *on request							
SWIVEL JOINT - SNOAPER 	SS316L SS303 BRASS	* Singol model, the dimensions are already on the drawings R (<°) = 50 R (<°) orientation angle					1/8" threaded nozzles.	SS = 120 Brass = 40	
SWIVEL JOINT - SNODO 	SS316L SS303 BRASS	<b>Inlet</b>	<b>Outlet</b>	<b>A</b>	<b>L</b>	<b>L1</b>	<b>R (&lt;°)</b>	All threaded nozzles.	15
1/8" M		1/8" F	32,0	38,0	35,0	40			
1/4" M		1/8" F	35,0	38,0	35,0	40			
1/4" M		1/4" F	44,0	50,0	44,0	50			
3/8" M		1/4" F	44,0	50,0	44,0	50			
3/8" M		3/8" F	44,0	50,0	44,0	40			
1/2" M		3/8" F	44,0	50,0	44,0	45			
1/2" M		1/2" F	64,0	74,0	64,0	50			
3/4" M		1/2" F	64,0	74,0	64,0	40			
3/4" M	3/4" F	64,0	74,0	64,0	40				
PLASTIC SWIVEL JOINT, SINGLE ARM - PSNODO 	NYLON66	<b>CONNECTIONS AND CODES</b>					C1 (11) KC1 (13) EC (12) DH (24) BG (40)	15	
		1/4" F - PSNODO1S 3/8" F - PSNODO2S *Nut not included							
PLASTIC SWIVEL JOINT, DOUBLE ARMS - PSNODO 	NYLON66	<b>CONNECTIONS AND CODES</b>					C1 (11) KC1 (13) EC (12) DH (24) BG (40)	15	
		1/4" F - PSNODD1FARSG 3/8" F - PSNODD2FARSG *Nuts not included							


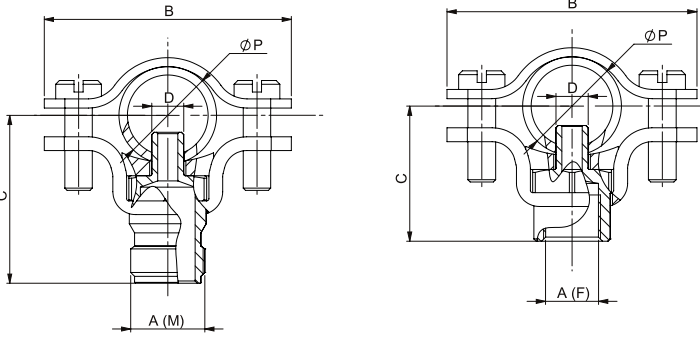
**SNODI ORIENTABILI**  
**SWIVEL JOINTS**  
**ARTICULACIONES ORIENTABLE**

Pictures / Drawings	Material	Connection - Code	Euspray Nozzles (Pag.)	Max. Pressure (Bar)
	NYLON66	1/4" F - PSNOD1SG 3/8" F - PSNOD2SG *Nut included	C1 (11) KC1 (13) TC (15) EC (12) C4 (22) DH (24) BG (40) CX (46)	15
	NYLON66	1/4" F - PSNODD1F2MG 3/8" F - PSNODD2F2MG *Nuts included	C1 (11) KC1 (13) TC (15) EC (12) C4 (22) DH (24) BG (40) CX (46)	15
	BRASS NICKEL PLATED	1/4" M - OSNODOS1M2M *Nut included	C1 (11) KC1 (13) TC (15) EC (12) C4 (22) DH (24) BG (40) CX (46)	40
	BRASS NICKEL PLATED	1/4" F - OSNODOS1F2M *Nut included	C1 (11) KC1 (13) TC (15) EC (12) C4 (22) DH (24) BG (40) CX (46)	40
	BRASS NICKEL PLATED	1/4" M - OSNODOD1M2M *Nuts included	C1 (11) KC1 (13) TC (15) EC (12) C4 (22) DH (24) BG (40) CX (46)	40
	BRASS NICKEL PLATED	1/4" F - OSNODOD1F2M *Nuts included	C1 (11) KC1 (13) TC (15) EC (12) C4 (22) DH (24) BG (40) CX (46)	40

**FILTRI PER UGELLI**  
**NOZZLE FILTERS**  
**FILTROS PARA BOQUILLAS**

Pictures / Drawings	Material	Filtration - Code	Euspray Nozzles (Pag.)
	Body in POM screen in 304SS	50 MESH - PFILTRO5 100 MESH - PFILTROA * Only filter, no antidrip valve	C1 (11) KC1 (13) TC (15) EC (12) C4 (22) DH (24) BG (40) CX (46)
	Body in POM screen in 304SS	50 MESH - PFILTRO5A 100 MESH - PFILTROAA * Antidrip valve included	C1 (11) KC1 (13) TC (15) EC (12) C4 (22) DH (24) BG (40) CX (46)
	Body in SS or BRASS screen in 304SS	50 MESH - IFILTRO5R15 (SS) 100 MESH - IFILTRO5R15 (SS) 50 MESH - OFILTRO5R15 (BRASS) 100 MESH - OFILTRO5R15 (BRASS) * Only filter, no antidrip valve	C1 (11) KC1 (13) TC (15) EC (12) C4 (22) DH (24) BG (40) CX (46)
	Body in SS or BRASS screen in 304SS	50 MESH - IFILTROA5R15 (SS) 100 MESH - IFILTROAAR15 (SS) 50 MESH - OFILTROA5R15 (BRASS) 100 MESH - OFILTROAAR15 (BRASS) * Antidrip valve included	C1 (11) KC1 (13) TC (15) EC (12) C4 (22) DH (24) BG (40) CX (46)
	Body in POM screen in 304SS	50 MESH - PFILTROCUP * Only filter, no antidrip valve	C1 (11) KC1 (13) TC (15) EC (12) C4 (22) DH (24) BG (40) CX (46)
	Body in POM screen in 304SS	100 MESH - PFILTROM * Only filter, no antidrip valve	MC2(16) - MX(46) 1/8" size
	Body in SS or BRASS screen in 304SS	50 MESH - IFILTRO51 (SS BODY) 100 MESH - IFILTROA1 (SS BODY) 50 MESH - OFILTRO51 (BRASS BODY) 100 MESH - OFILTROA1 (BRASS BODY) * Only filter, no antidrip valve	MC2(16) - MX(46) 1/4" size

**METAL CLAMP**

Pictures / Drawings	Material	Euspray Nozzles
<p><b>FAS</b></p>  	<p>CLAMP: SS304 GALVANIZED STEEL</p> <p>BODY: SS303 BRASS</p> <p>SCREW: SS304</p>	<p>All 3/8" size tips All threaded nozzles</p>

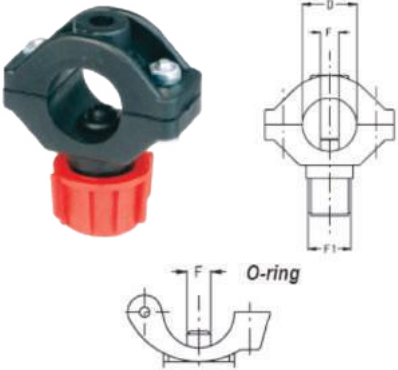
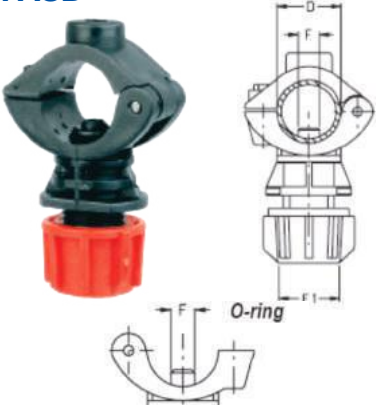


PIPE SIZE (Ø P)	A	Dimensions (mm)		CODE	D (mm)
		B	C		
1/2"	1/8"F	50	30	XFAS3C0FF	7
	1/4"F	50	30	XFAS3C1FF	
	3/8"M	50	40	XFAS3C2MF	
	11/16"M	50	40	XFAS3C1116MF	
3/4"	1/8"F	50	30	XFAS4C0FF	7
	1/4"F	50	30	XFAS4C1FF	
	3/8"M	50	40	XFAS4C2MF	
	11/16"M	50	40	XFAS4C1116MF	
1"	1/8"F	60	30	XFAS5C0FF	7
	1/4"F	60	30	XFAS5C1FF	
	3/8"M	60	40	XFAS5C2MF	
	11/16"M	60	40	XFAS5C1116MF	
1" - 1/4"	1/8"F	72	40	XFAS6C0FF	17,5
	1/4"F	72	40	XFAS6C1FF	
	3/8"F	72	50	XFAS6C2MF	
	1/2"F	72	50	XFAS6C3FF	
1" - 1/2"	1/8"F	86	43	XFAS7C0FF	17,5
	1/4"F	86	43	XFAS7C1FF	
	3/8"F	86	53	XFAS7C2MF	
	1/2"F	86	53	XFAS7C3FF	
2"	1/8"F	96	45	XFAS8C0FF	17,5
	1/4"F	96	45	XFAS8C1FF	
	3/8"F	96	55	XFAS8C2MF	
	1/2"F	96	55	XFAS8C3FF	

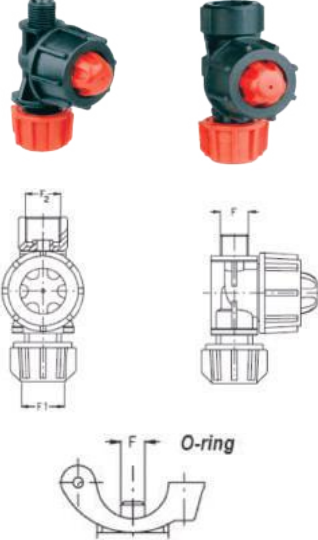


**X = MATERIAL**

Z = GALVANIZED STEEL FOR CLAMPS AND BODY IN BRASS

I = SS304 FOR CLAMPS AND BODY IN SS303

## PLASTIC CLAMPS

Pictures / Drawings	Material	Dimensions (mm)			Euspray Nozzles (Pag.)	
		D	F	code		
	Body in Reinforced Nylon  Screws in plated steel (stainless steel on request)  O-ring in NBR	D	F	code	C1 (11) KC1 (13) TC (15) EC (12) C4 (22) DH (24) BG (40) CX (46)	
		1/2"	7 mm	PFASC3.7		
Retainer, O-ring and screws included.						
	Body in Reinforced Nylon  Screws in plated steel (stainless steel on request)  O-ring in NBR	D	F	code	C1 (11) KC1 (13) TC (15) EC (12) C4 (22) DH (24) BG (40) CX (46)	
		20 mm	7 mm	PFASD20.7		
Retainer, O-ring and screws included.						
		20 mm	10 mm	PFASD20.1		
		1/2"	7 mm	PFASD3.7		
		1/2"	10 mm	PFASD3.10		
		3/4"	10 mm	PFASD4.10		
		1"	10 mm	PFASD5.10		
	Body in Reinforced Nylon  Screws in plated steel (stainless steel on request)  O-ring in NBR	D	F	code	C1 (11) KC1 (13) TC (15) EC (12) C4 (22) DH (24) BG (40) CX (46)	
		20	7 mm	*PFASA20.7		
* on request Ø 10 (D) O-ring and screws included.						
	Body in Reinforced Nylon  Screws in plated steel (stainless steel on request)  O-ring in NBR	D	F	code	C1 (11) KC1 (13) TC (15) EC (12) C4 (22) DH (24) BG (40) CX (46)	
		20	7 mm	PFASB20.7		
O-ring and screws included.						
		20 mm	10 mm	PFASB20.1		
		1/2"	7 mm	PFASB3.7		
		1/2"	10 mm	PFASB3.10		
		3/4"	10 mm	PFASB4.10		
		1"	10 mm	PFASB5.10		

Pictures / Drawings	Material	Dimensions (mm)				Euspray Nozzles (Pag.)
		D	Thread	code EPDM	code VITOM	
<b>PEE</b> 	Body in Reinforced Nylon  Screws in plated steel (stainless steel on request)  O-ring in NBR	1/4" GAS	M	PEE 1M	PFASC3.7	C1 (11) KC1 (13) TC (15) EC (12) C4 (22) DH (24) BG (40) CX (46)
		3/8" GAS	F	PEE 2F	PFASC3.7	
		11/16" GAS	F	PEE 1116 F	PFASC3.7	
		1/4" GAS	F	PEE 1F	PFASC3.7	
		Retainer, O-ring and screws included.				
<b>PFASDA</b> 	Body in Reinforced Nylon  Screws in plated steel (stainless steel on request)  O-ring in NBR	20 mm	7 mm	PFASDAE20.7	PFASDAV20.7	C1 (11) KC1 (13) TC (15) EC (12) C4 (22) DH (24) BG (40) CX (46)
		20 mm	10 mm	PFASDAE20.1	PFASDAV20.1	
		1/2"	7 mm	PFASDAE3.7	PFASDAV3.7	
		1/2"	10 mm	PFASDAE3.10	PFASDAV3.10	
		3/4"	10 mm	PFASDAE4.10	PFASDAV4.10	
		25 mm	10 mm	PFASDAE25.1	PFASDAV25.1	
		1"	10 mm	PFASDAE5.10		
Retainer, O-ring and screws included.						
<b>PFASBA</b> 	Body in Reinforced Nylon  Screws in plated steel (stainless steel on request)  O-ring in NBR	20 mm	7 mm	PFASBAE20.7	PFASBAV20.7	C1 (11) KC1 (13) TC (15) EC (12) C4 (22) DH (24) BG (40) CX (46)
		20 mm	10 mm	PFASBAE20.1	PFASBAV20.1	
		1/2"	7 mm	PFASBAE3.7	PFASBAV3.7	
		1/2"	10 mm	PFASBAE3.10	PFASBAV3.10	
		3/4"	10 mm	PFASBAE4.10	PFASBAV4.10	
		25 mm	10 mm	PFASBAE25.1	PFASBAV25.1	
		1"	10 mm	PFASBAE5.10		
* on request Ø 10 (D) O-ring and screws included.						



## ZPL FASCETTA SINGOLA E DOPPIA MOLLA SINGLE AND DOUBLE CLIP-ON BODIES ABRAZADERA CON SIMPLE O DOBLE CLIP

**SILICONE FREE**

### Caratteristiche

Le fascette della serie "ZPL" sono disegnate per assicurare una facile installazione e ridotti tempi di manutenzione.

L'assieme fascetta-ugello-ghiera viene montato su collettori solo con l'utilizzo di una o due staffe elastiche in Aisi.

Tutto a mano, senza attrezzi, si installa la fascetta, si orienta la punta dell'ugello e grazie ad una ghiera si blocca nella posizione desiderata. Le fascette possono essere installate su tubazioni da 1", 1-1/4" e 1-1/2".

La realizzazione delle fascette in materiale plastico, polipropilene caricato con fibra di vetro, permette il loro utilizzo in ambienti con alte temperature e liquidi corrosivi.

### Materiale

Corpo: polipropilene caricato con fibra di vetro

Molla/e:

Aisi302 (Aisi316 su richiesta).

O-ring:

NBR (VITON su richiesta).

### Temperatura max. di esercizio:

82°C

### Pressione max. di esercizio:

3 bar per la versione a singola molla.

5 bar per la versione a doppia molla.

### Characteristics

ZPL clip on bodies are designed to ensure easy installation and reduced maintenance time.

Clip-on nozzles are installed by hand. The spray ball can be easily oriented into the preferred position and then locked into place by tightening the threaded cap. The clip-on bodies can be installed on 1", 1-1/4", and 1-1/2" pipe.

### Material

Body: fiberglass reinforced polypropylene

Spring/s: Aisi302

(Aisi316 on request)

O-ring:

Buna (VITON on request)

### Max. working temperature:

82°C

### Max working pressure:

3 bar for single clip.  
5 bar for double clip.

### Características

Las Abrazaderas de la serie "ZPL" están diseñadas para garantizar una fácil instalación y reducir el tiempo de mantenimiento.

El conjunto compuesto por la abrazadera, boquilla y tuerca se puede montar en los tubos sólo con el uso de uno o dos soportes elásticos en AISI.

Se instalan manualmente, sin necesidad de herramientas, y se puede orientar la boquilla de la punta gracias a una tuerca que se bloquea en la posición deseada.

Las abrazaderas se pueden instalar en tubos de 1" y de 1-1/4".

### Material

Cuerpo: polipropileno

reforzado con fibra de vidrio

Abrazadera: Aisi 302

(Aisi 316 bajo pedido)

Junta: NBR

(VITON bajo pedido)

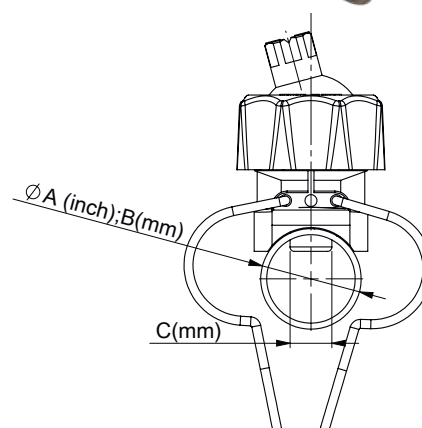
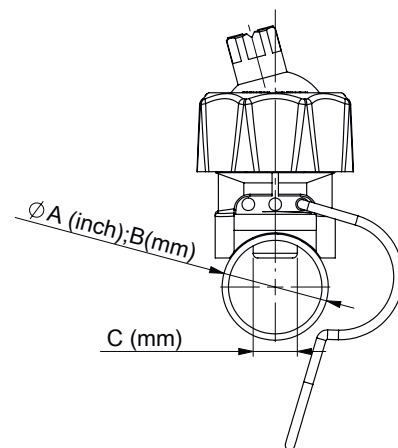
### Temperatura max. de ejercicio:

82°C

### Presión max. de ejercicio:

3 bar para el modelo de abrazadera simple.  
5 bar psi para el modelo de doble abrazadera.

## ZPL



CODE Single spring	CODE Double spring	A inch	B mm	C mm
ZPL100C1D14	ZPL100C2D14	1	32/34	14
ZPL100C1D17*	ZPL100C2D17*	1	32/34	17
ZPL125C1D14	ZPL125C2D14	1-1/4	41/43	14
ZPL125C1D17	ZPL125C2D17	1-1/4	41/43	17
ZPL150C1D14	ZPL150C2D14	1-1/2	48/50	14
ZPL150C1D17	ZPL150C2D17	1-1/2	48/50	17
ZPL150C1D20	ZPL150C2D20	1-1/2	48/50	20

\* Material on request

## DPL UGELLI A SFERA ORIENTABILI ORIENTABLE BALL NOZZLES BOQUILLA CON ESFERA ORIENTABLE

### Caratteristiche

L'ugello orientabile a sfera è facilmente montabile sulle fascette della serie ZPL tramite ghiera di bloccaggio NPL. Sono disponibili con una vasta gamma di portate che va da 3,9 a 22,3 l/min a 3 bar, l'angolo di spruzzo standard è di 60°.

Su richiesta sono disponibili versioni personalizzate con angolo e portata a richiesta. È il prodotto ideale per applicazioni di risciacqui, rivestimenti superficiali e pulizia, grazie ai materiali plastici in cui sono costruiti garantiscono una eccezionale resistenza chimica ad alte temperature.

### Materiale

Corpo: polipropilene caricato con talco.  
 O-ring: ADFLEX

### Temperatura max. di esercizio:

82°C

### Characteristics

The adjustable nozzle ball is used along with the clip-on body and cap. Available in a wide range of flow rates, please see the table below for specific flows at varying liquid pressures. Customized spray ball sizes and spray tip materials can be considered on request.

Polypropylene clip on nozzles are ideal for parts washer, plating, and surface treatment applications. They are easily mounted and removed, easy to adjust, and durable in high temperature and corrosive environments.

### Material

Polypropylene with added talcum powder.

### Max. working temperature:

82°C

**SILICONE FREE**

### Características

Las boquillas con esfera orientable son fácilmente montables en las abrazaderas de la serie ZPL a través de la Tuerca de cierre NPL.

Se fabrican en una variada gama de caudales que van desde los 3,9 a los 22,3 l/min a una presión de 3 bar, y el ángulo de pulverización estándar es de 60°.

Bajo pedido se pueden fabricar versiones personalizadas con ángulo y caudal solicitado, y eventualmente se pueden fabricar con la punta de pulverización en Inox o en otro material.

Es un producto ideal para aplicaciones de lavado, recubrimiento de superficies y limpieza, gracias a que el material plástico que se fabrican proporciona una excepcional resistencia química a altas temperaturas.

### Material

Polipropileno reforzado con talco.

### Temperatura max. de ejercicio:

82°C

## DPL



Code	Angle	Capacity [l/min] at different pressure [Bar]									Colour
		0,5	0,7	1,0	1,5	2,0	2,5	3,0	4,0	5,0	
DPL 6039	60	1,7	2,0	2,4	2,9	3,3	3,5	<b>3,9</b>	4,7	5,4	BLACK
DPL 6078	60	3,3	3,9	4,6	6,6	6,5	7,1	<b>7,8</b>	9,2	10,3	VIOLET
DPL 6098	60	4,0	4,7	5,6	6,9	8,0	8,9	<b>9,8</b>	11,3	12,5	BROWN
DPL 6117	60	4,6	5,5	6,5	8,0	9,2	10,6	<b>11,7</b>	13,0	14,5	YELLOW
DPL 6135	60	5,5	6,5	7,8	9,5	11,0	12,3	<b>13,5</b>	15,5	11,0	GREY
DPL 6155	60	6,2	7,4	8,8	10,8	12,5	14,1	<b>15,5</b>	17,6	19,7	RED
DPL 6195	60	7,8	9,2	11,0	13,5	15,6	17,7	<b>19,5</b>	22,0	24,6	GREEN
DPL 6230	60	9,5	11,3	13,5	16,5	19,1	20,3	<b>22,3</b>	26,9	30,2	BLUE

## NPL GHIERA DI SERRAGGIO THREADED CAP TUERCA DE CIERRE

### Caratteristiche

Ghiera di serraggio per fascette ZPL.

### Materiale

Polipropilene caricato con fibra di vetro.

### Characteristics

Closing Nut for ZPL clamps.

### Material

Polypropylene with fiber glass.

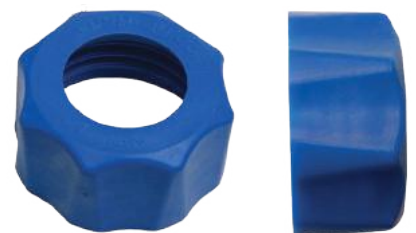
### Características

Tuerca para abrazaderas ZPL.

### Material

Polipropileno con fibra de vidrio.

## NPL



## PFASARSFE SFERE FILETTATE THREADED BALLS ESFERAS ROSCADAS

### Caratteristiche

Le sfere filettate vengono utilizzate per il montaggio di ugelli in metallo per garantire un ampio raggio di possibilità in termini di tipo di spruzzo (cono pieno/vuoto/piatto), angoli di spruzzo e portate.

### Materiali

Corpo: polipropilene con fibra di vetro.

O-ring: EPDM (VITON su richiesta).

### Characteristics

The threaded spheres are used for the mounting of metal nozzles to guarantee a wide range of possibilities in terms of type of spray (full cone/ hollow / flat), angles of spray and capacity.

### Materials

Body: polypropylene with glass fiber.

O-ring: EPDM (VITON on request).

### Características

Las esferas roscadas se utilizan para el montaje de boquillas metálicas para garantizar una amplia gama de posibilidades en términos de tipo de pulverización (cono lleno / vacío / salida plana), ángulos de pulverizado y varios caudales.

### Materiales:

Cuerpo: Polipropileno con fibra de vidrio.

Junta: EPDM (VITON bajo pedido).

Code	Female connection		Colour
	BSP	NPT	
PFASARSFE0CF	1/8"		
PFASARSFE1CF	1/4"		
PFASARSFE2CF	3/8"		

Code	Female connection		Colour
	BSP	NPT	
PFASARSFE0NF		1/8"	
PFASARSFE1NF		1/4"	
PFASARSFE2NF		3/8"	

## PFASARSFE



## PSNODO SNODO ORIENTABILE ADJUSTABLE JOINT JUNTAS ORIENTABLES

### Caratteristiche

Lo snodo orientabile può essere montato con sfere filettate e ugello in metallo o con gli ugelli della serie DPL.

### Materiali

Polipropilene rinforzato con fibra di vetro.

### Max. temperatura di utilizzo

60°C

### Max. pressione di utilizzo:

7 bar

### Characteristics

The swivel joint can be mounted with threaded balls and nozzle in metal or with nozzles of the DPL series.

### Materials

Polypropylene reinforced with glass fiber.

### Max. Temperature of use:

60°C

### Max. working pressure:

7 bar

### Características

La junta orientable se puede montar con las esferas roscadas y boquillas en metal o con boquillas de la serie DPL.

### Materiales:

Polipropileno reforzado con fibra de vidrio.

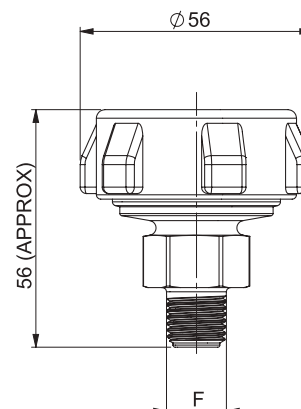
### Temperatura Máx. de ejercicio:

60°C

### Presión Máx. de ejercicio:

7 bar

## PSNODO



Code	F
P1MSNODO	1/4"
P2MSNODO	3/8"
P3MSNODO	1/2"

## HANDLOCK FASCETTE AD ATTACCO RAPIDO QUICK THREAD CLAMPS ABRAZADERA DE CONEXIÓN RÁPIDA

### Caratteristiche

Le fascette Handlock presentano il vantaggio di poter essere installate e rimosse senza attrezzi e con l'utilizzo di una sola mano diminuendo le tempistiche legate alla manutenzione. Queste fascette si accoppiano perfettamente con gli altri prodotti della linea Euspray come le sfere filettate e gli ugelli della serie DPL.

### Materiali

Corpo: polipropilene con fibra di vetro, spine in acciaio inox. O-ring: EPDM (VITON su richiesta).

### Materiali

60°C

### Max. pressione di utilizzo:

7 bar

### Characteristics

Handlock clamps have the advantage of can be installed and removed without tools and with the use of one hand decreasing the timing related to maintenance. These clamps mate perfectly with the other Euspray products line like the threaded spheres and the nozzles of the DPL series.

### Materials

Body: polypropylene with glass fiber, stainless steel plugs. O-ring: EPDM (VITON on request).

### Max. Working Temperature:

60°C

### Max. Working pressure:

7 bar

### Características

Las Abrazaderas Handlock tienen la ventaja de poder ser instaladas y retiradas sin herramientas y con el uso de una sola mano, disminuyendo el tiempo relacionado con el mantenimiento. Estas abrazaderas se acoplan perfectamente con los otros productos de la línea Euspray, como las esferas roscadas y las boquillas de la serie DPL.

### Materiales:

Cuerpo: Polipropileno con fibra de vidrio, con los pasadores en acero inoxidable. Junta: EPDM (VITON bajo pedido).

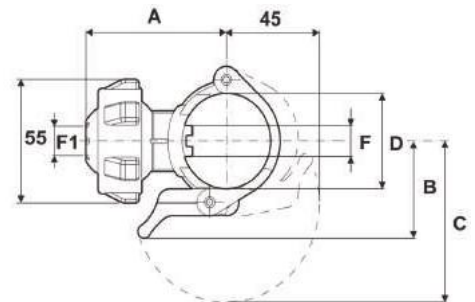
### Temperatura Máx. de ejercicio:

60°C

### Presión Máx. de ejercicio:

7 bar

## HANDLOCK



1



2



3



4



Code	Measures				
	F mm	D	A	B	C
PFAS5 AR 10	10	1"	62	39	67
PFAS5 AR 14	14				
PFAS5 AR 17	17				
PFAS6 AR 10	10	1" 1/4	67	43	72
PFAS6 AR 14	14				
PFAS6 AR 17	17				
PFAS7 AR 10	10	1" 1/2	71	46	76
PFAS7 AR 14	14				
PFAS7 AR 17	17				

## UNIFFA ACCOPIATORI RAPIDI QUICK COUPLERS ACOPLADORES RÁPIDOS

### Caratteristiche

Gli accoppiatori rapidi della serie UNIFFA vengono principalmente utilizzati nelle linee di pretrattamento superficiale per agevolare e velocizzare le operazioni di manutenzione.

### Materiali

Corpo: polipropilene caricato con fibra di vetro o KYNAR\*.  
Leve: polipropilene, KYNAR, NYGLASS o AISI304 sinterizzato.  
Guarnizioni: EPDM (VITON su richiesta).

\*KYNAR® è un PVDF altamente stabile e puro che lo rende molto resistente agli agenti chimici acidi e basici, all'abrasione e allo sforzo meccanico.

### Characteristics

The quick couplers of the UNIFFA series are mainly used in the lines of pretreatment surface to facilitate and speed up maintenance operations.

### Materials

Body: polypropylene reinforced with fiberglass or KYNAR\*.  
Levers: polypropylene, KYNAR, NYGLASS or sintered AISI304.  
Seal: EPDM (VITON on request).

\*KYNAR® is a highly stable, pure PVDF that is extremely resistant to acids, basic chemicals, abrasion and mechanical tension.

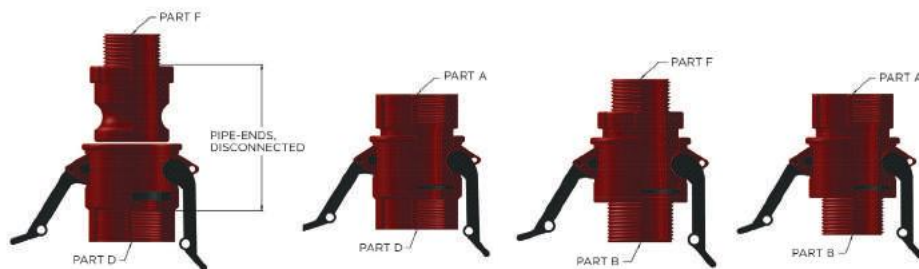
### Características

Los acopladores rápidos del modelo UNIFFA, se utilizan principalmente en las líneas de pre-tratamiento superficial, para facilitar y acelerar las operaciones de mantenimiento.

### Materiales:

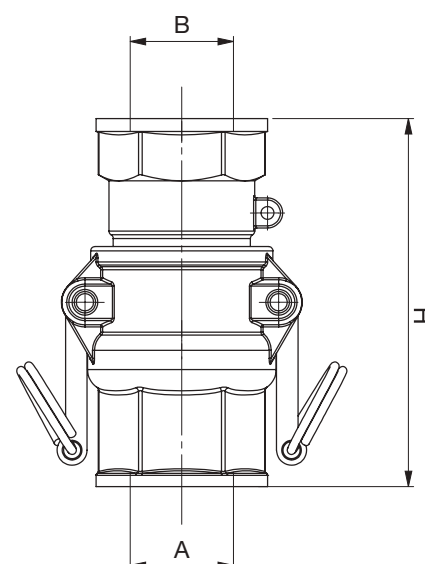
Cuerpo: Polipropileno reforzado con fibra de vidrio o KYNAR\*.  
Palancas: polipropileno, KYNAR, NYGLASS o AISI304 sinterizado.  
Junta: EPDM (VITON a petición).

\*KYNAR® es un PVDF altamente estable, puro y muy resistente a los ácidos, a los químicos básicos, a la abrasión y a la tensión mecánica.



## UNIFFA

I prodotti della linea Uni-Spray UNIFFA sono acquistabili esclusivamente presso la Eurospray Spray and Filter Technology SL. Per maggiori informazioni contattate il Product Manager Simone Riccardi e-mail: riccardi@euspray.com Cellulare: +34 659 75 55 08



PIPE SIZE	Dimensions (mm)				COLOUR *	MATERIAL
	A	B	H	H		
	Female x Male	Female x Female	Male x Male	Male x Female		
1"	59,0	37,0	127,0	108,0	BLUE	PP or KYNAR
1-1/4"	68,0	57,0	117,0	108,0	RED	PP or KYNAR
1-1/2"	62,0	50,0	117,0	108,0	VIOLET	PP or KYNAR
2"	69,0	58,0	142,0	127,0	BLACK	PP or KYNAR
3"	136,0	150,0	127,0	146,0	BLACK	PP or KYNAR

\* The listed colours are referred to PP material, for Kynar material the colour is always WHITE for every connections.

## UNIEDU EJETTORI EJECTORS EDUCTORES

### Caratteristiche

Gli eiettori Euspray permettono di mantenere in movimento liquidi evitando la sedimentazione delle particelle solide presenti. La serie UNIEDU è stata progettata seguendo il principio di Venturi ed hanno un rapporto di circa 1:5 tra l'ingresso (pompato) del liquido e l'uscita dagli eiettori.

### Materiali

Polipropilene caricato con fibra di vetro.  
KYNAR\* (PVDF speciale)  
AISI316

\*KYNAR® è un PVDF altamente stabile e puro che lo rende molto resistente agli agenti chimici acidi e basici, all'abrasione e allo sforzo meccanico.

### Characteristics

*Euspray ejectors allow to keep in movement liquid avoiding sedimentation of the solid particles present. The UNIEDU series has been designed following the Venturi principle and have a ratio of about 1:5 between the liquid inlet (pumped) and the outlet from the ejectors.*

### Materials

*Polypropylene reinforced with fiberglass.  
KYNAR\* (special PVDF)  
AISI316*

*\*KYNAR® is a highly stable, pure PVDF that is extremely resistant to acids, basic chemicals, abrasion and mechanical tension.*

### Características

Los Eductores Euspray permiten mantener en movimiento líquidos evitando la sedimentación de las partículas sólidas presentes. La serie UNIEDU ha sido diseñada siguiendo el principio de Venturi y tienen una relación de alrededor de 1:5 entre la entrada del líquido (bombeada) y la salida de los eductores.

### Materiales:

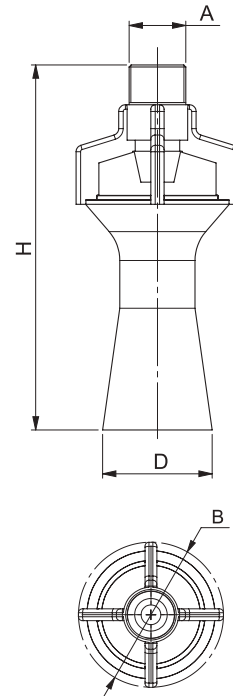
Polipropileno reforzado con fibra de vidrio  
KYNAR\* (PVDF especial)  
AISI316

\*KYNAR® es un PVDF altamente estable, puro y muy resistente a los ácidos, a los químicos básicos, a la abrasión y a la tensión mecánica.



## UNIEDU

I prodotti della linea Uni-Spray UNIEDU sono acquistabili esclusivamente presso la Eurospray Spray and Filter Technology SL. Per maggiori informazioni contattate il Product Manager Simone Riccardi e-mail: [riccardi@euspray.com](mailto:riccardi@euspray.com) Cellulare: +34 659 75 55 08



Code	A	Capacity at different pressures (bar)						Dimensions (mm)			COLOUR *	MATERIAL
		0,5	0,7	1	2	3	5	H	B	D		
UNIEDU14	1/4"	10,3	12,2	14,5	20,6	25,2	32,5	70,0	32,0	18,0	BLUE	PP or KYNAR
UNIEDU38	3/8"	24,5	29,0	34,7	49,0	60,1	77,5	115,0	54,0	31,0	YELLOW	PP or KYNAR
UNIEDU12	1/2"	34,6	40,9	48,9	69,1	84,6	109,2	167,0	64,0	37,0	VIOLET	PP or KYNAR
UNIEDU34	3/4"	45,6	54,0	64,5	91,2	111,8	144,3	160,0	74,4	41,4	ORANGE	PP or KYNAR
UNIEDU1	1"	78,9	93,3	111,5	157,7	193,1	249,3	246,0	99,0	55,0	GREY	PP or KYNAR
UNIEDU112	1-1/2"	113,4	134,2	160,4	2226,8	277,8	358,6	248,0	120,0	66,0	BLACK	PP or KYNAR
A1MEDU40	1/4"	11,0	13,4	16,0	23,0	28,0	36,0	70,0	30,0	23,0	SS316	SS316
A2MEDU60	3/8"	29,0	35,0	42,0	59,0	70,0	90,0	115,0	50,0	38,0	SS316	SS316
A3MEDU90	1/2"	33,0	39,0	46,6	66,0	80,8	104,3	115,0	50,0	38,0	SS316	SS316
A4MEDU130	3/4"	43,0	53,5	64,0	85,0	106,0	137,0	165,0	65,0	50,0	SS316	SS316

\* The listed colours are referred to PP material, for Kynar material the colour is always RED for every connections.