

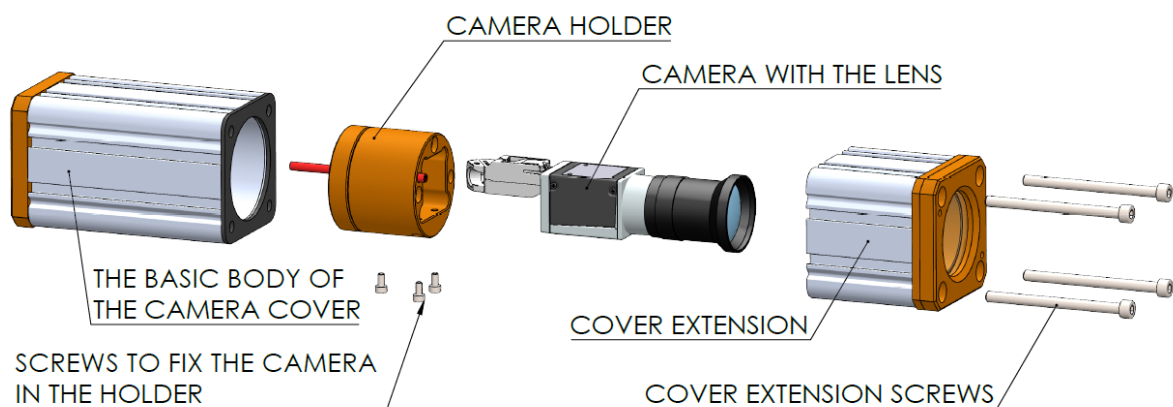
Camera cover with air curtain



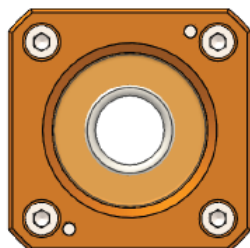
Data sheet

KEY FEATURES

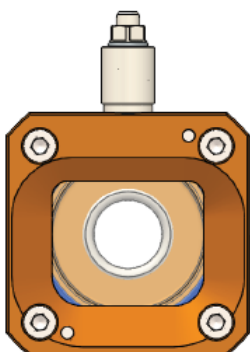
- Using cameras in adverse conditions and in polluted environments.
- **Protection** against dust and other dirt, moisture, water and emulsions.
 - We produce 4 types of covers with different compressed air protection according to the needs of a **specific** application.
 - There is the possibility of supplementing the cover with a pneumatically controlled mechanical glass cover.
- **Robust** mechanical design – made of aluminum.
 - The camera holder is also made of aluminum for the best possible **heat dissipation**.
 - the cover can be supplemented with external air **cooling**.
- The camera holder enables easy **fixation** of the camera position even for repeated mounting.
- The air curtain significantly **extends** cleaning periods, thus **reducing costs and time** required for maintenance.
- The back of the cover contains a thread M25x1.5 (M32x1.5 on request) for different types of cable glands.
- Designed for the Basler ACE range of cameras and their dimensional equivalents.
 - **covers can also be designed and produced for cameras of larger dimensions, or for different types of lenses.**



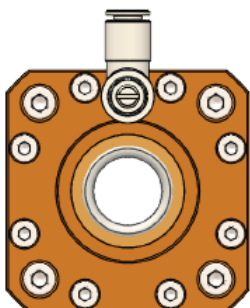
PRODUCT VARIANTS



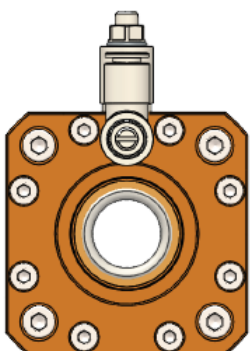
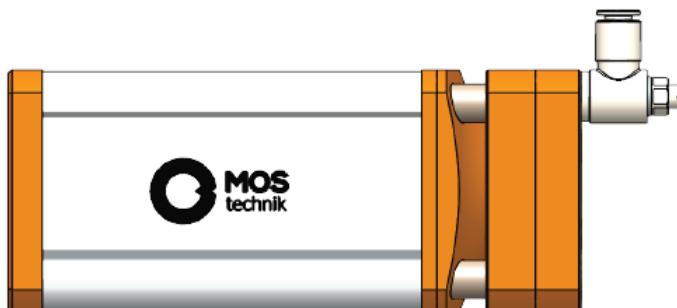
VNOK-A



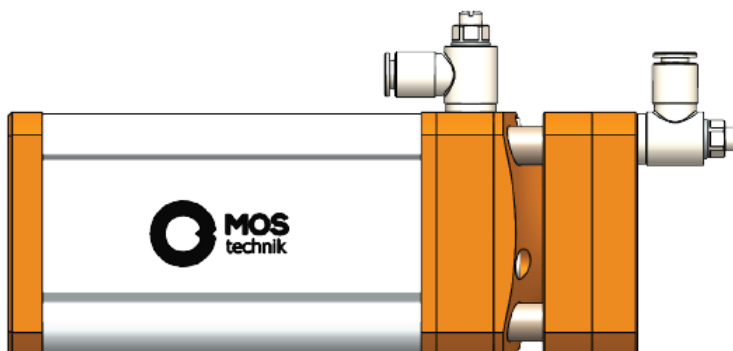
VNOK-B



VNOK-C

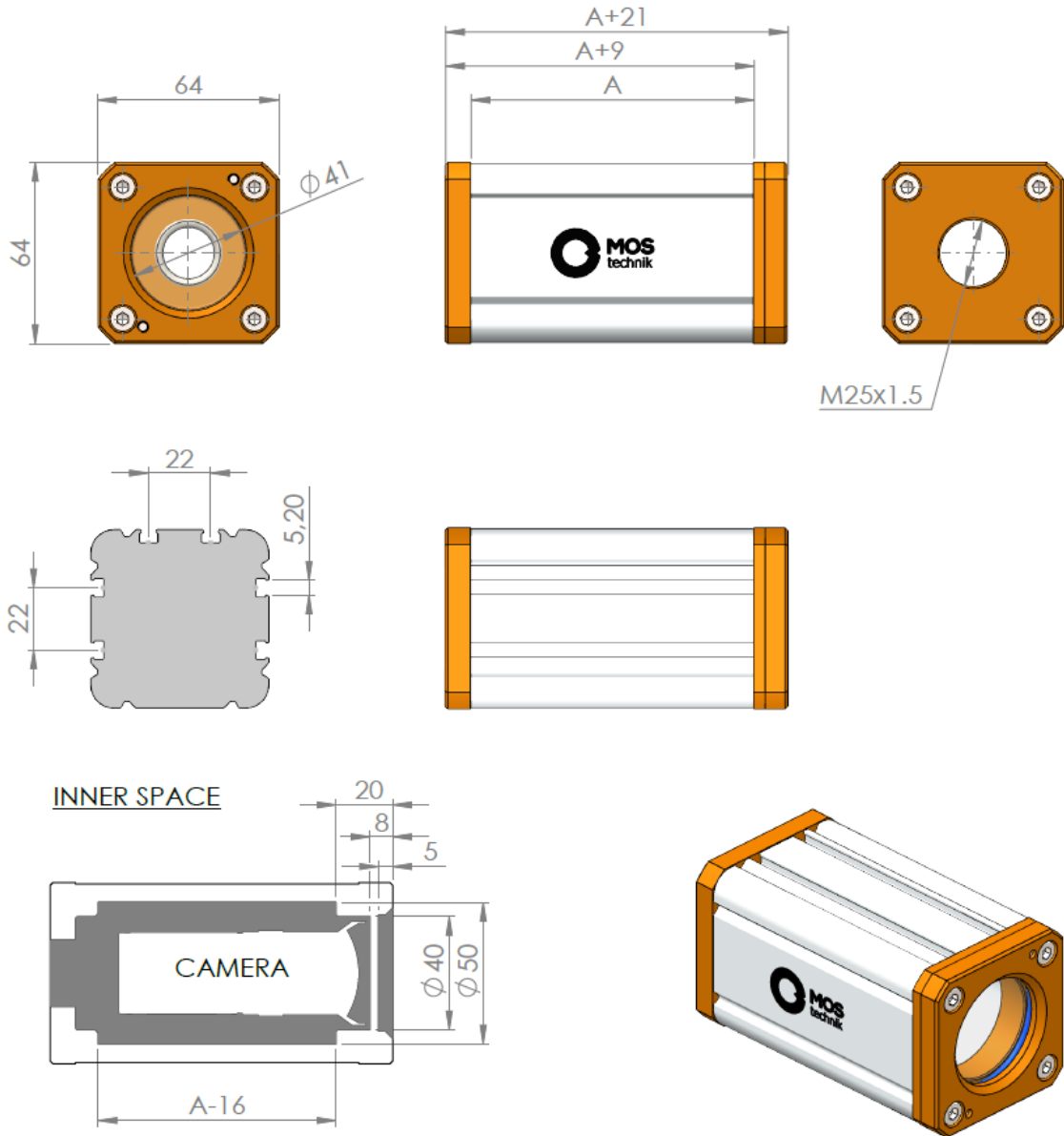


VNOK-D



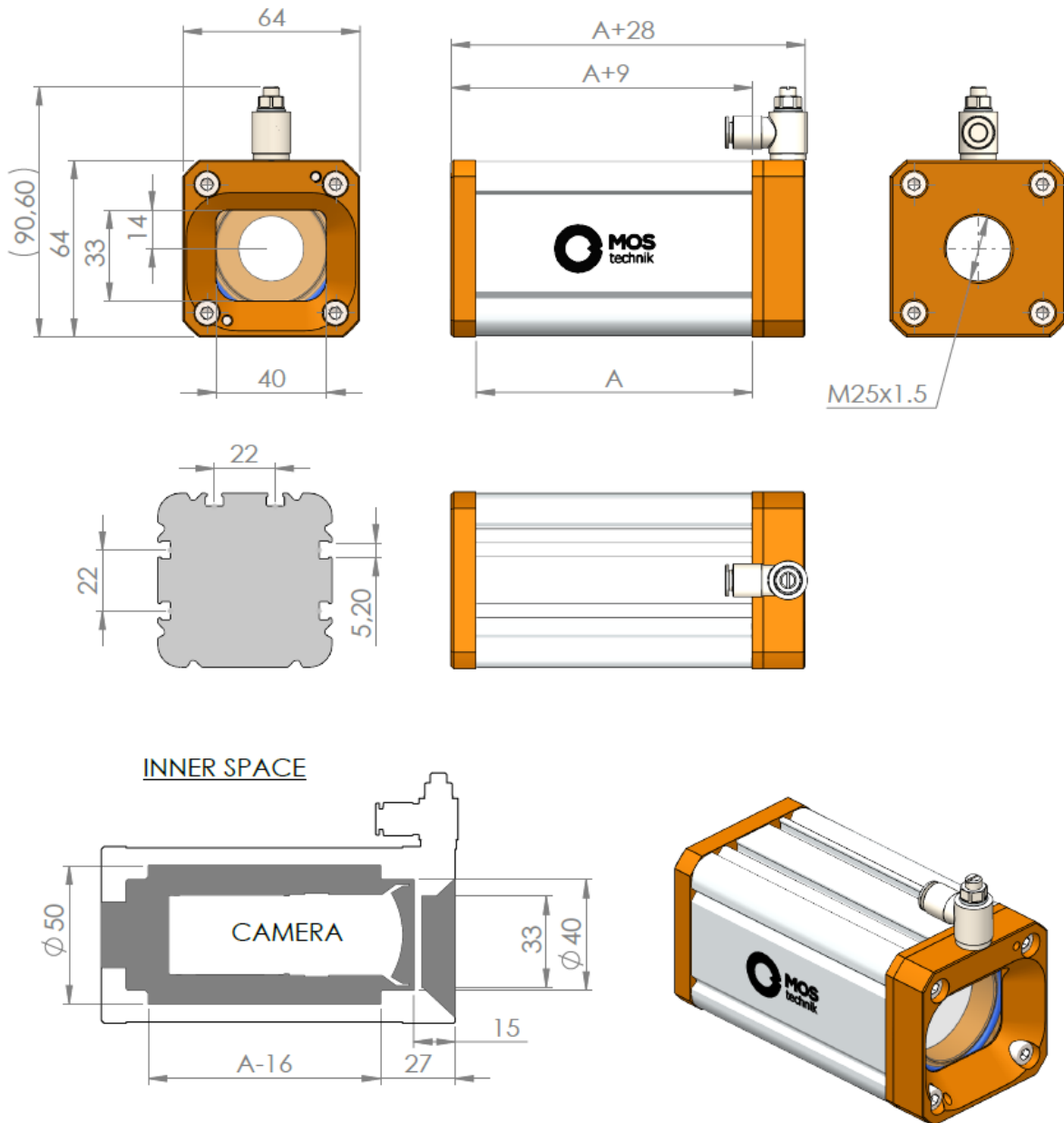
VNOK-A

- Reliable mechanical cover – basic variant without air curtain.
- Perfectly protects the camera and lens.
- Outer glass without additional protection.



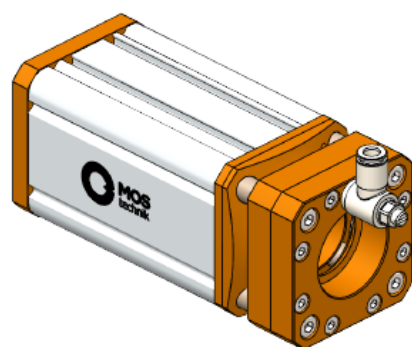
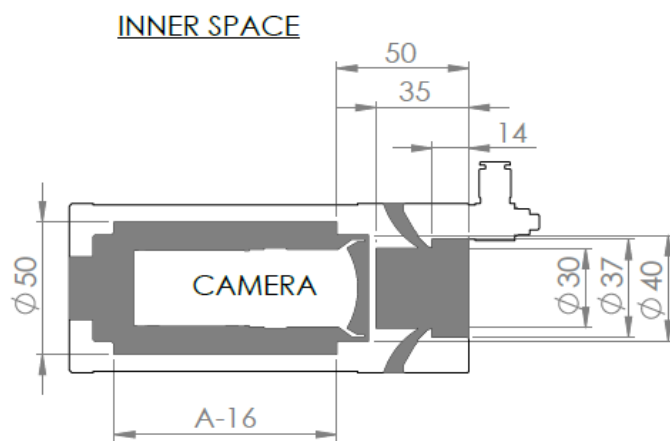
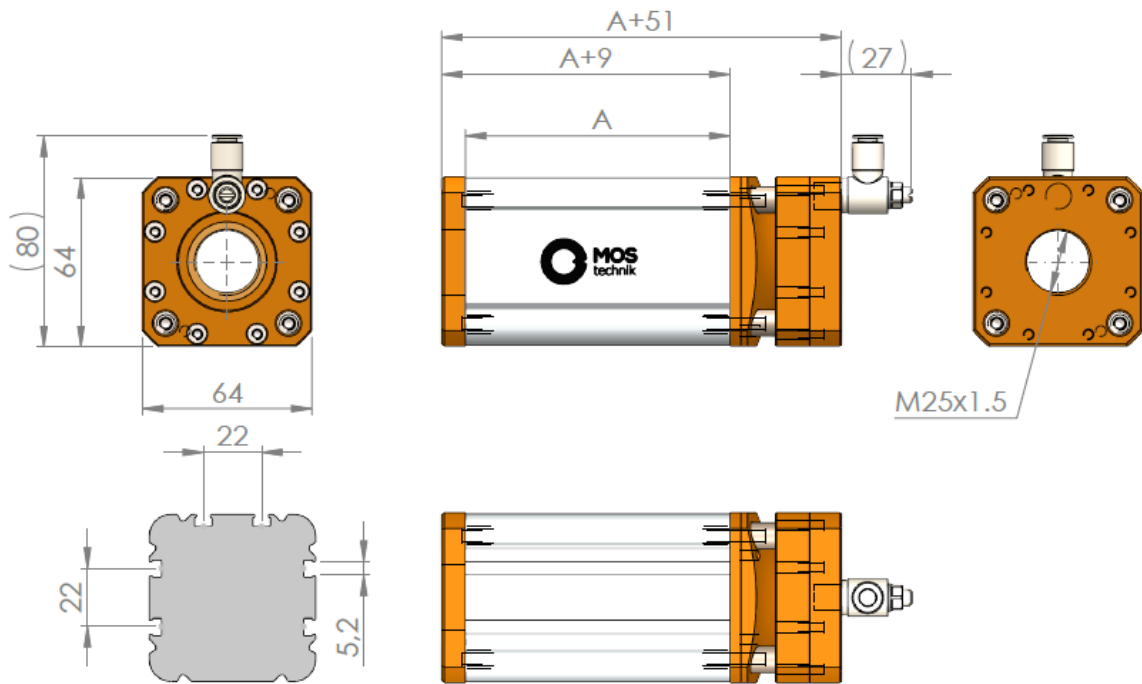
VNOK-B

- Camera protection for medium-demanding applications.
 - o Contains a basic air curtain to remove dirt from the glass covering the lens.
 - o When used intermittently, suitable for removing dry dust and dirt.
 - o With continuous use of the air curtain, it is also effective against moist dust, oily smoke, aerosol, etc.



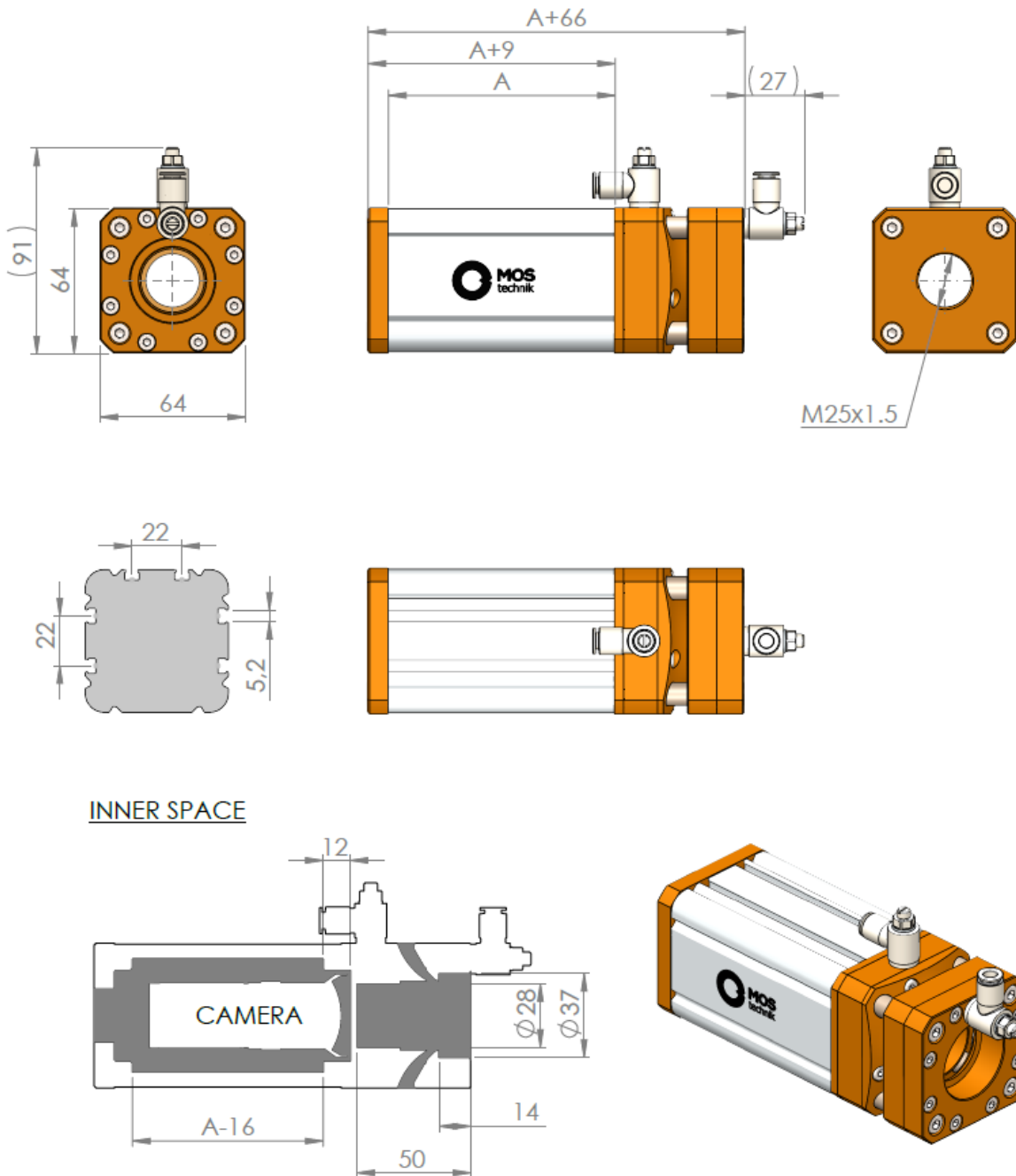
VNOK-C

- Camera protection for demanding applications.
 - o Camera cover with integrated active air stream – the cone-shaped air flow is directed outwards from the lens cover glass and thus prevents its contamination.
 - o It can also be used against slightly splashing liquids and larger dirt.



VNOK-D

- Variant for the most demanding applications.
 - o Camera cover with integrated multi-stage active air stream
 - o It contains a combination of a cone nozzle, a transvector nozzle and a flat air curtain.
 - o Protection against splashing liquids.
 - o Suitable for use in CNC machines.

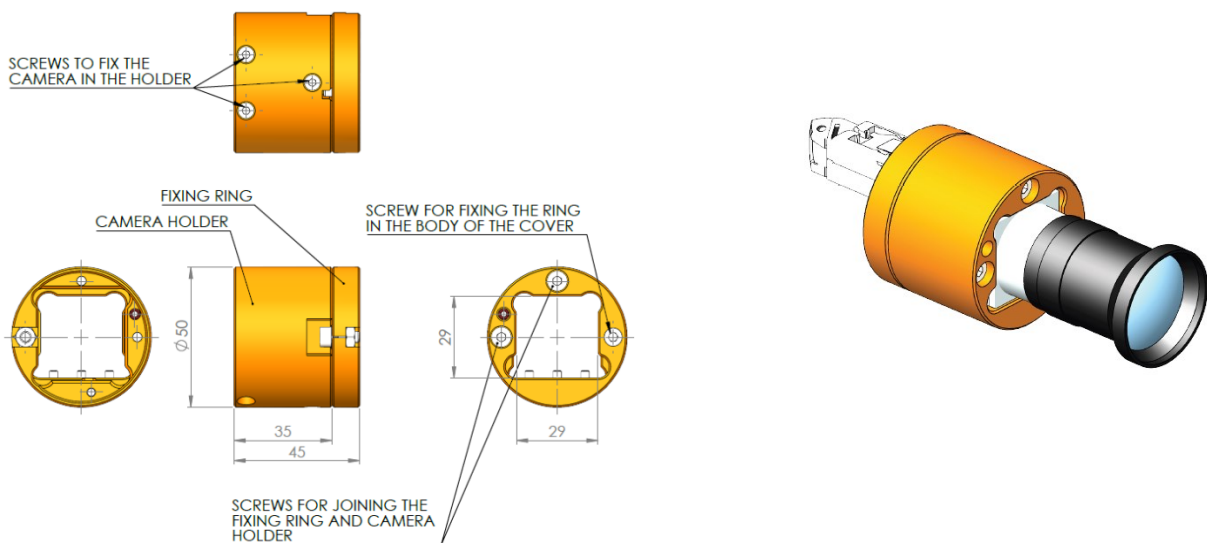


The effectiveness of the compressed air protection depends on the mass, speed and direction of the particles.

ACCESSORIES

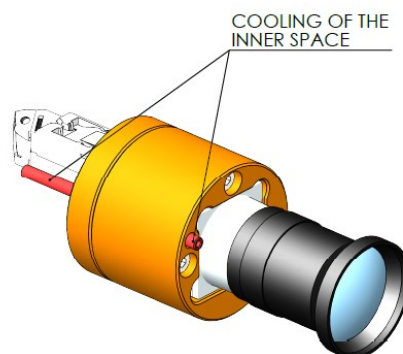
Camera holder

- Designed for the Basler ACE range of cameras and their dimensional equivalents.
 - The holder can be designed and manufactured for different types of cameras.
- Aluminum material – it dissipates heat well from the camera to the body of the cover.
- Fixing the camera in the housing is done from the front side - from the lens.
- After installation in the camera cover, the camera with the camera holder can be pulled out - the fixing ring will remain in the cover, this allows the camera to be returned to the same place in the cover.
- Cooling of the inner space of the cover with compressed air can be added upon request.



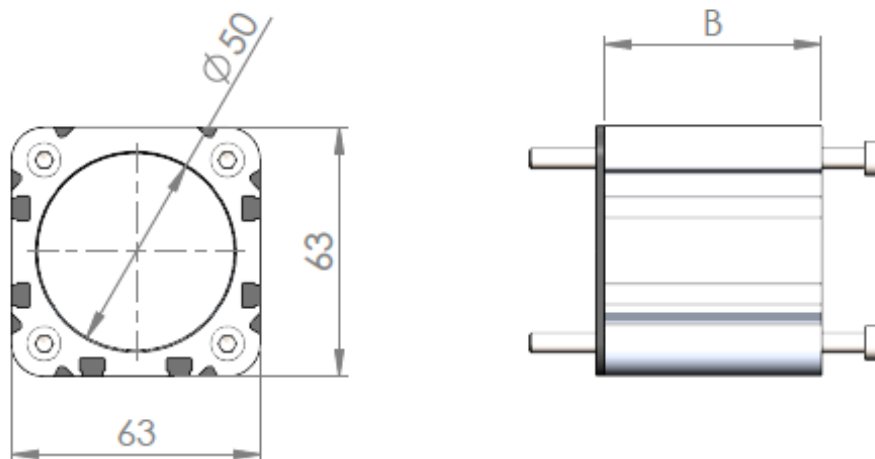
Camera holder with additional air cooling

- The holder is adjusted so that the cooling air is also brought to the front of the cover and thus efficiently cools the entire space.

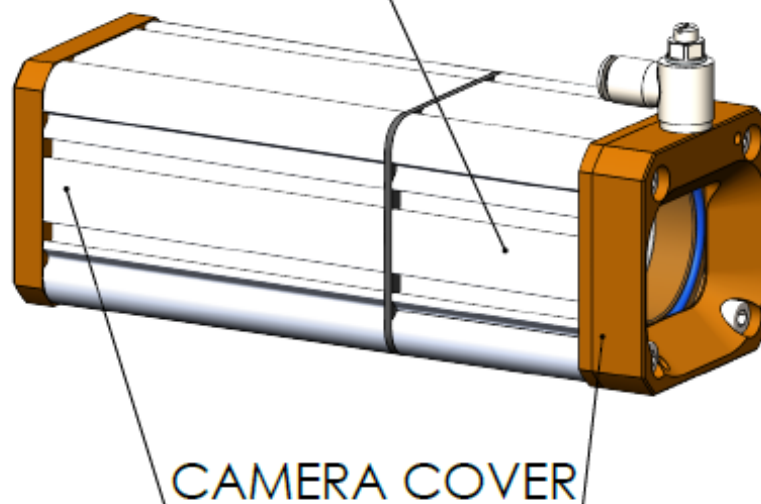


Cover body extension – VNOK-P

- Allows access to the camera from the front for lens adjustments.
- Allows the access to the camera without removing the cover from the device.
- After removing the camera with the holder from the camera cover, the set can be put back into the housing in the same place.
- Optional length – adapts to the lens used.



COVER EXTENSION

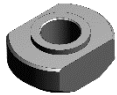


Throttle valve



SVKB-18 throttle valve; connection 1/8"; for 8 mm tubing

Mounting nuts and slotted screws

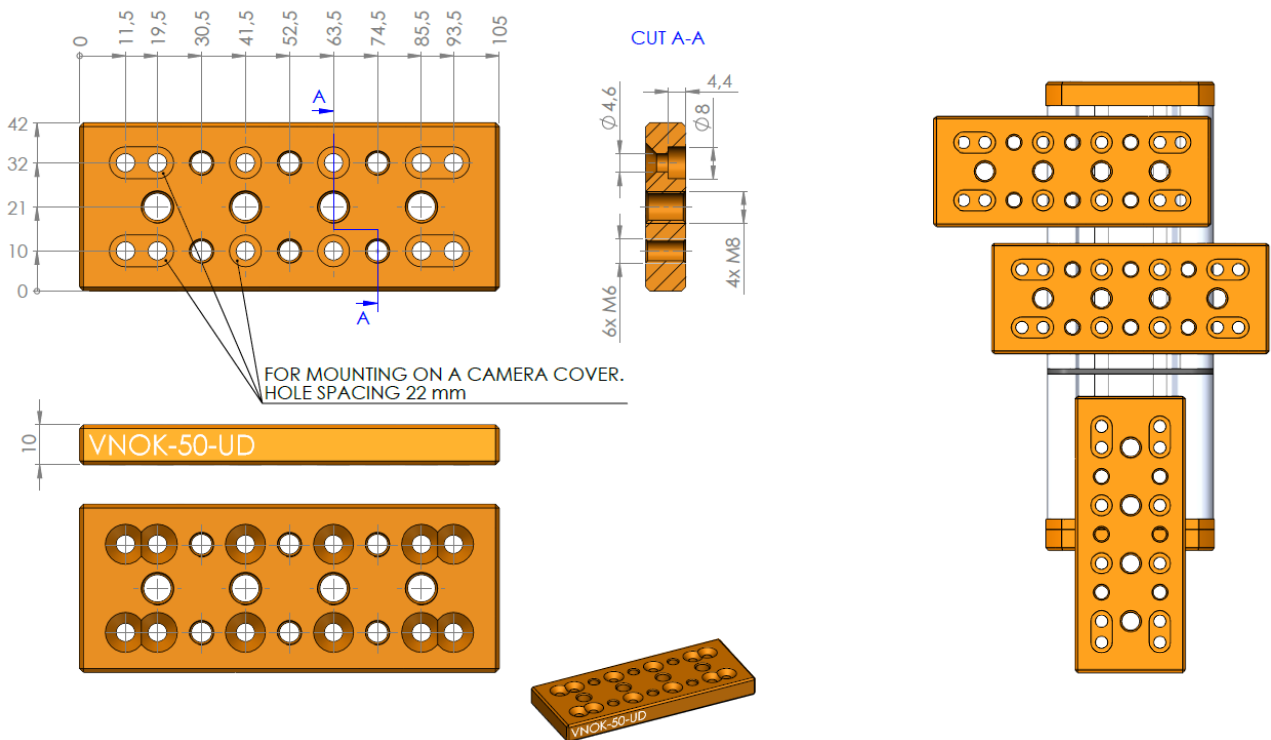


VNOK – M – A mounting nut for the groove of the cover body; thread M4

Universal mounting plate

VNOK-UD

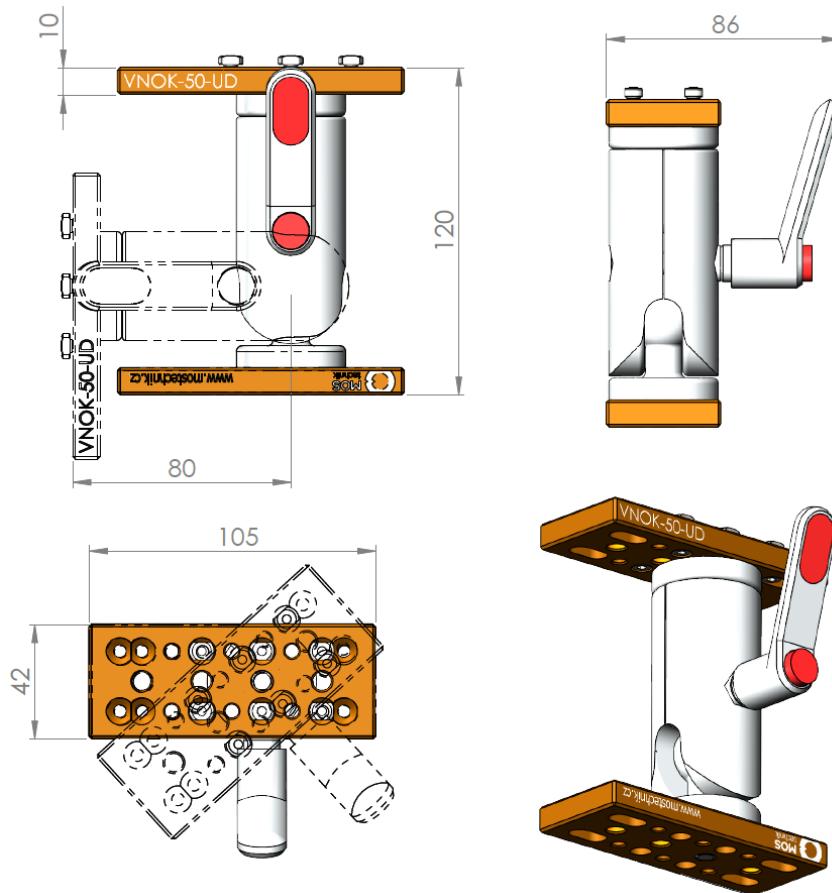
- Universal plate for mounting the camera cover.



Universal mounting joint

VNOK-MS

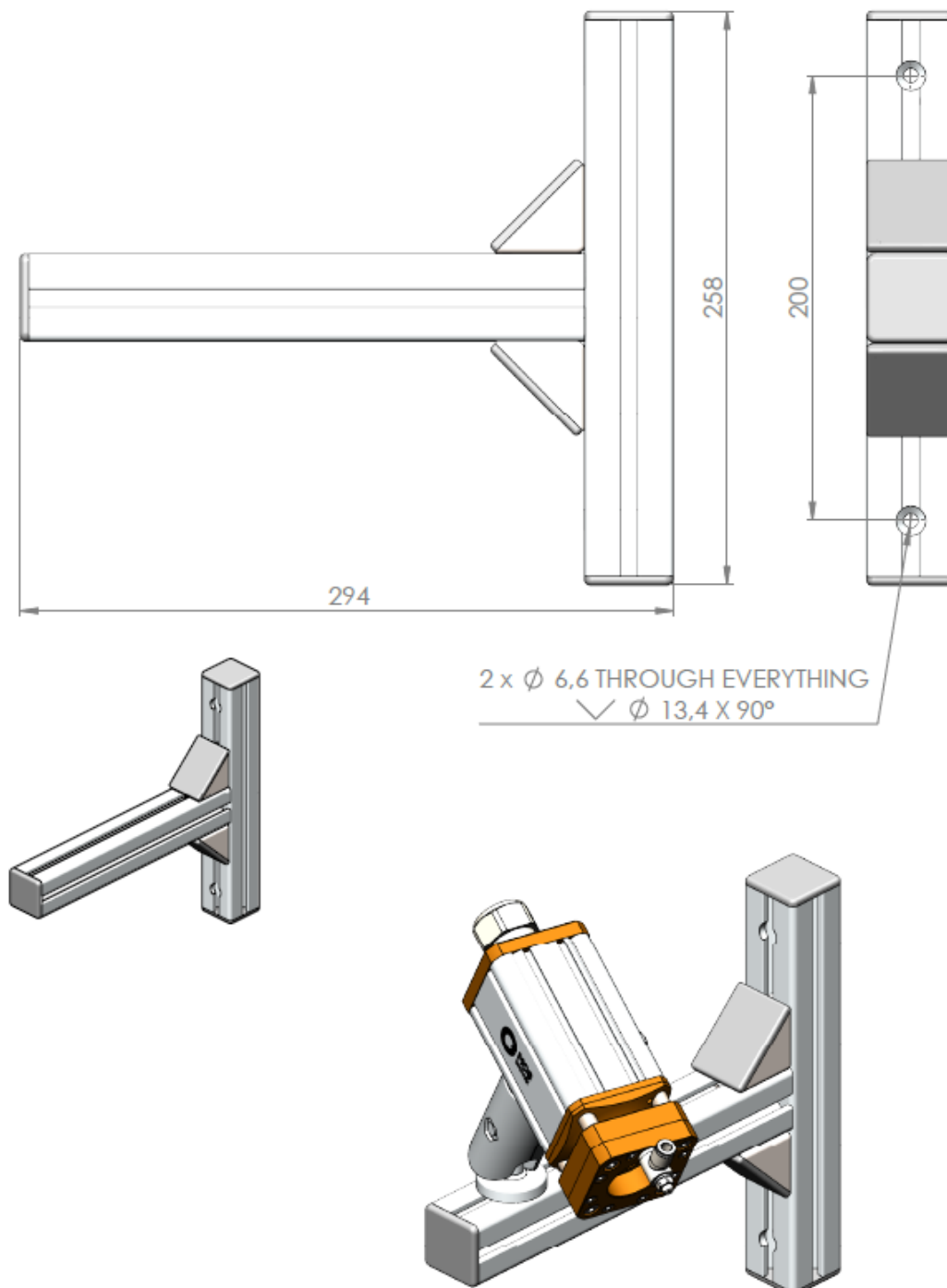
- Universal hinged bracket for mounting the camera cover.
- Allows the camera to be rotated 360° and tilted by $\pm 90^\circ$.
- Includes two **VNOK-UD** mounting plates.



Univerzální montážní konzola

VNOK-MK

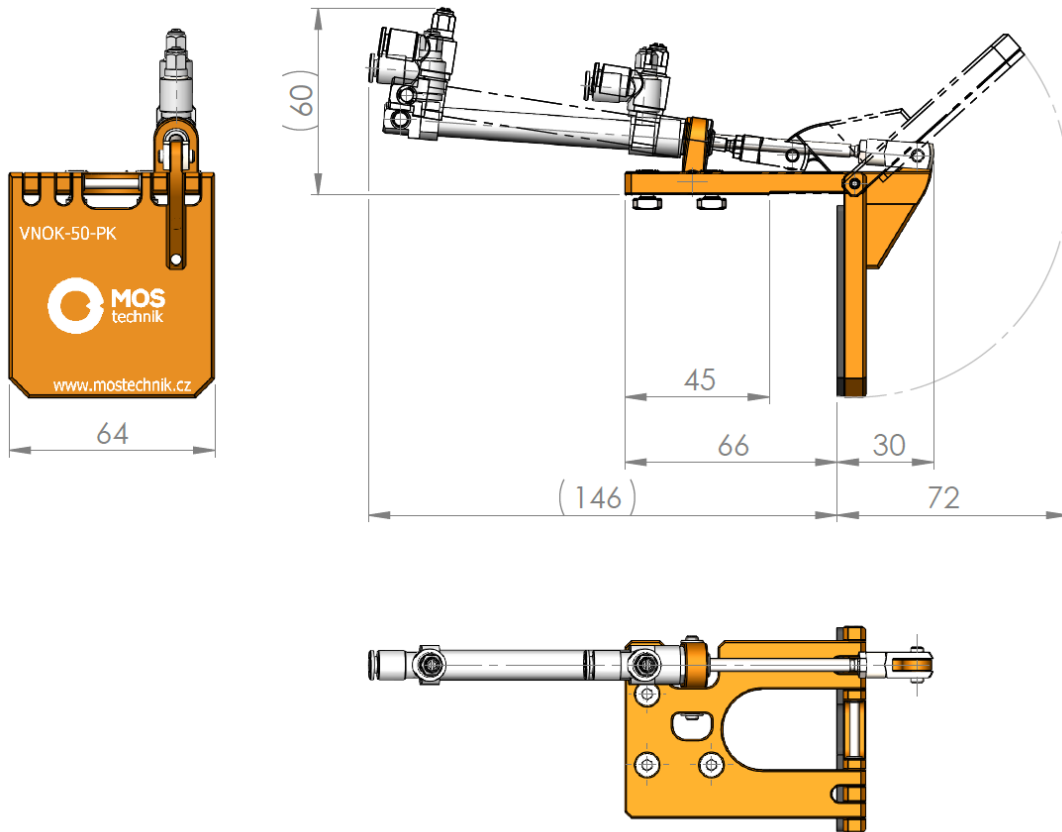
- Mounting bracket for easy wall mounting.
- It allows any adjustment of the camera position.
- Including one VNOK-UD mounting plate and hinged bracket.



Additional mechanical cover

VNOK-PK

- Mechanical shield cover of front glass with pneumatic control.
- Suitable for cover types **VNOK-A** and **VNOK-B**.



Key to order codes

VNOK-A-AL-150-050

