

IM 80

VERTICAL CENTRIFUGAL PUMPS



- Product designed and constructed in Italy
- Constructed in polypropylene or PVDF
- Normalised electric motor
- Support lantern and connection between pump and motor with a flexible coupling
- Usable with fluids containing suspended solids
- Suitable for continuous use



IM PUMPS CODES ENCODING

ex. IM140P-V-0800-N
IM140 PP, O-Ring Viton®, column height 800 mm, three-phase motor

IM140	P	V	0800	N
PUMP MODEL	PUMP PUMP	O-RING	COLUMN HEIGHT	MOTOR
IM 80 - IM 80 IM 90 - IM 90 IM 95 - IM 95 IM 110 - IM 110 IM 120 - IM 120 IM 130 - IM 130 IM 140 - IM 140 IM 150 - IM 150 IM 155 - IM 155 IM 160 - IM 160 IM 180 - IM 180 IM 200 - IM 200	P - Polypropylene FC - PVDF+CF	D - EPDM V - Viton®	0250 - 250 mm** 0500 - 500 mm 0800 - 800 mm 1000 - 1000 mm 1250 - 1250 mm	N* - Three-phase motor M - Single-phase motor A - ATEX motor

* Three-phase asynchronous eurotension motor fitted as standard (2 poles) 50Hz

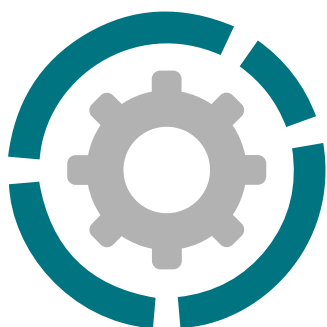
** Available only for IM 80/90 pumps

IM 80

VERTICAL CENTRIFUGAL PUMPS



Specifications and types



Suction fittings	G 1" 1/2 f or DN 40
Delivery fittings	G 1" m or DN 25
Max flow rate	6 m3/h
Max head	7.5 m
Viscosity up to	500 cps
Standard open impeller	Ø 85 mm H 9 mm*
Passing solids	Ø max 7 mm

* Special versions are available on request for the fluid pumped



PP



PVDF

Standard electric motor:

Kw	0.37
HP	0.5
Box	B5
RPM	2900

THREE-PHASE 230/400 V

50/60 Hz

2 poles

IE1 efficiency class

IP55 protection rating

Ambient temperature -30°C + 45°C

Aluminium/Cast iron

SINGLE-PHASE on request

ATEX on request

STD Column length	PP* weight	PVDF* weight
250	6.5 Kg	7 Kg
500	7.5 Kg	8 Kg
800	10.5 Kg	11 Kg

* The weights refer to the pump without the motor

NB: Special versions only on request with column length from min. 250 mm to max. 1000 mm.

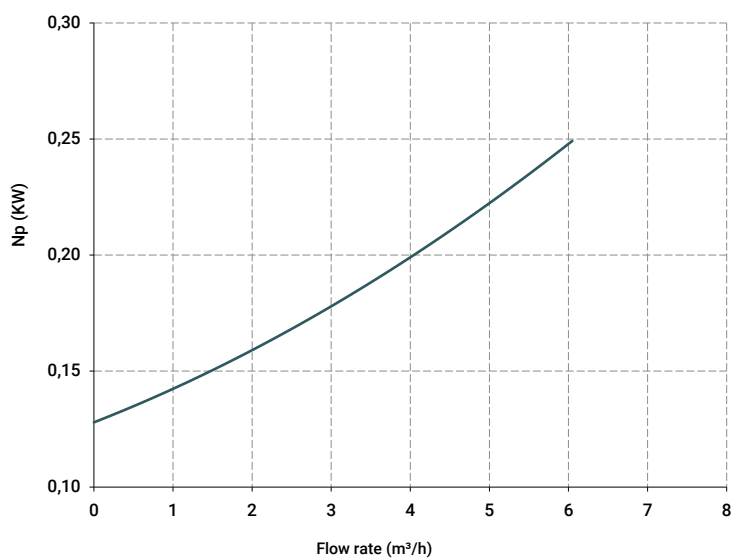
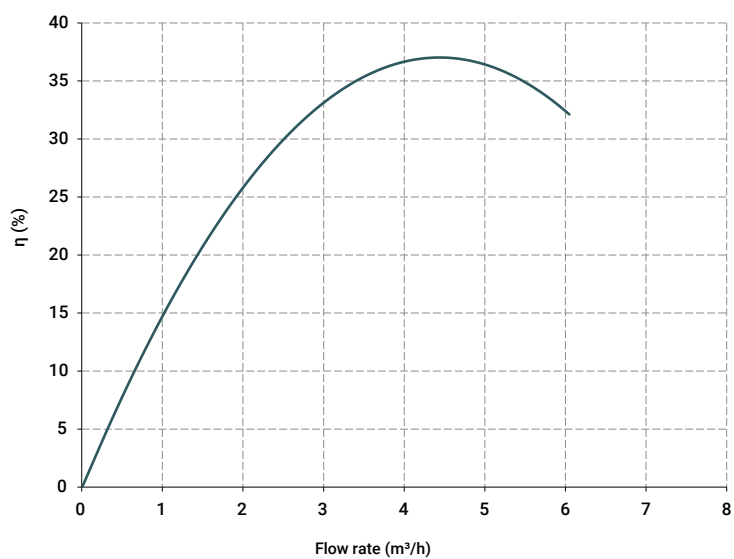
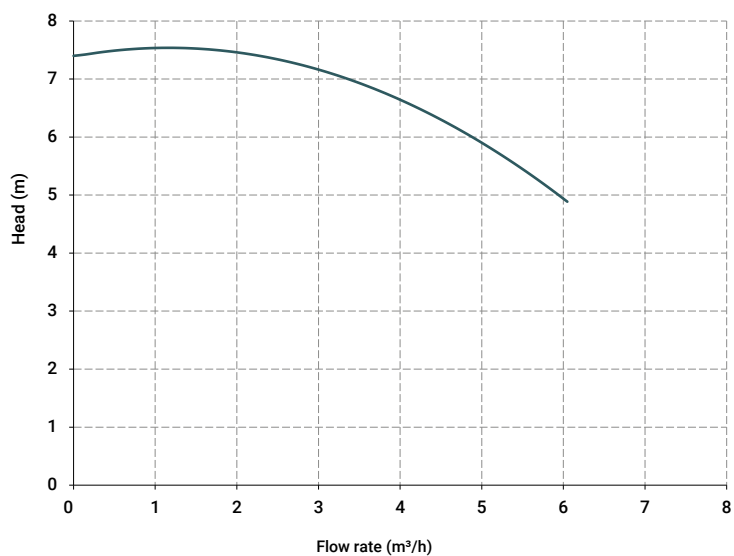
MAIN APPLICATION SECTORS



Operating temperature:

PP	from +3°C to +65°C
PVDF	from +3°C to +95°C

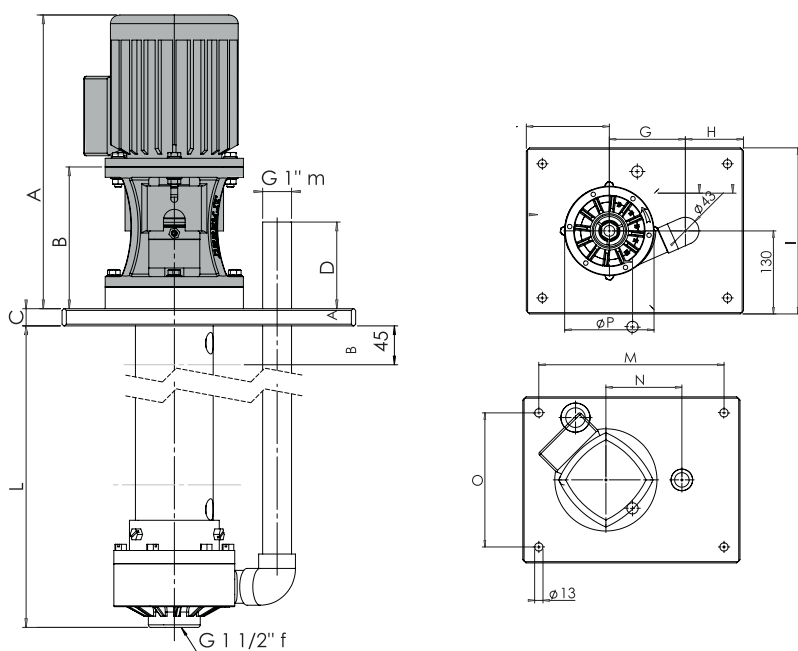
Specifications and types



The curves and the performances refer to pumps with open delivery outlet, with water at 20°C, 50 Hz two-pole motor (2900 RPM).

Specifications and types

MODEL	POWER	PASSING SOLIDS	A	B	C	D	E	F	G	H	I	M	N	O	P	KG MOTOR
IM 80	0.37 Kw - 0.5 HP	7	340	164	20	100	340	130	119	91	260	290	119	210	Ø140	8



TANK USE

Pump	Motor power
IM 80	0.37 Kw - 0.5 HP
IM 90	0.55 Kw - 0.75 HP
IM 95	0.75 Kw - 1 HP
IM 110	1.1 Kw - 1.5 HP
IM 120	1.5 Kw - 2 HP
IM 130	2.2 Kw - 3 HP
IM 140	3 Kw - 4 HP
IM 150	4 Kw - 5.5 HP
IM 155	5.5 Kw - 7.5 HP
IM 160	7.5 Kw - 10 HP
IM 180	11 Kw - 15 HP
IM 200	18.5 Kw - 25 HP

Seal o-ring materials:

- EPDM
- VITON®

Package:

wooden cage - weights and dimensions vary based on the length of the pump

Accessories

FLANGE KIT (DIN standard - ANSI available on request):

- KITFLANGIM080P (POLYPROPYLENE)
- KITFLANGIM080F (PVDF)

- Pump protection filter* in PP (*the filter is sold separately)
- Pump protection filter* in PVDF (*the filter is sold separately)

Customisable fixing plate only at the design stage

IM 90

VERTICAL CENTRIFUGAL PUMPS



- Product designed and constructed in Italy
- Constructed in polypropylene or PVDF
- Normalised electric motor
- Support lantern and connection between pump and motor with a flexible coupling
- Usable with fluids containing suspended solids
- Suitable for continuous use



IM PUMPS CODES ENCODING

ex. IM140P-V-0800-N
IM140 PP, O-Ring Viton®, column height 800 mm, three-phase motor

IM140	P	V	0800	N
PUMP MODEL	PUMP PUMP	O-RING	COLUMN HEIGHT	MOTOR
IM 80 - IM 80 IM 90 - IM 90 IM 95 - IM 95 IM 110 - IM 110 IM 120 - IM 120 IM 130 - IM 130 IM 140 - IM 140 IM 150 - IM 150 IM 155 - IM 155 IM 160 - IM 160 IM 180 - IM 180 IM 200 - IM 200	P - Polypropylene FC - PVDF+CF	D - EPDM V - Viton®	0250 - 250 mm** 0500 - 500 mm 0800 - 800 mm 1000 - 1000 mm 1250 - 1250 mm	N* - Three-phase motor M - Single-phase motor A - ATEX motor

* Three-phase asynchronous eurotension motor fitted as standard (2 poles) 50Hz

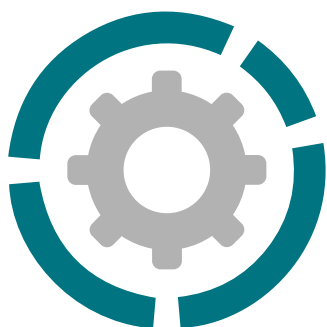
** Available only for IM 80/90 pumps

IM 90

VERTICAL CENTRIFUGAL PUMPS



Specifications and types



Suction fittings	G 1 1/2 f or DN 40 on request
Delivery fittings	G 1" m or DN 25 on request
Max flow rate	9 m3/h
Max head	10.5 m
Viscosity up to	500 cps
Standard open impeller	Ø 97 mm H 12 mm *
Passing solids	Ø max 10 mm

* Special versions are available on request for the fluid pumped



PP



PVDF

Standard electric motor:

Kw	0.55
HP	0.75
Box	B5
RPM	2900

THREE-PHASE 230/400 V
50/60 Hz

2 poles

Efficiency class IE1

IP55 protection rating

Ambient temperature -30°C + 45°C

Aluminium/Cast iron

SINGLE-PHASE on request

ATEX on request

STD Column length	PP* weight	PVDF* weight
250	6.5 Kg	7 Kg
500	7.5 Kg	8 Kg
800	10.5 Kg	11 Kg

* The weights refer to the pump without the motor

NB: Special versions only on request with column length from min. 250 mm to max. 1000 mm.

MAIN APPLICATION SECTORS



CHEMICAL
INDUSTRY



WATER AND SLUDGE
TREATMENT



GALVANIC AND ELECTRONIC
INDUSTRY

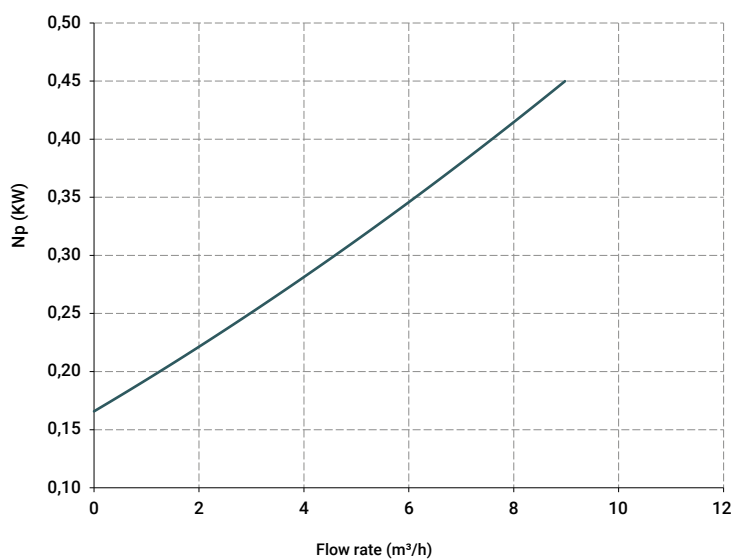
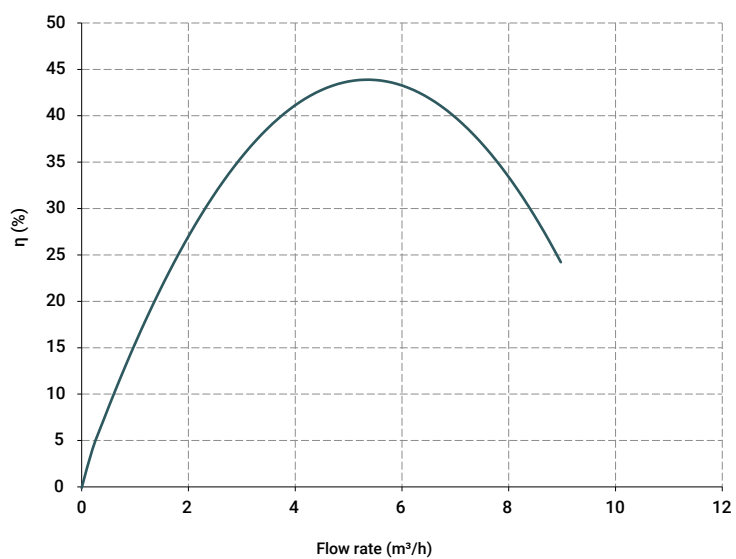
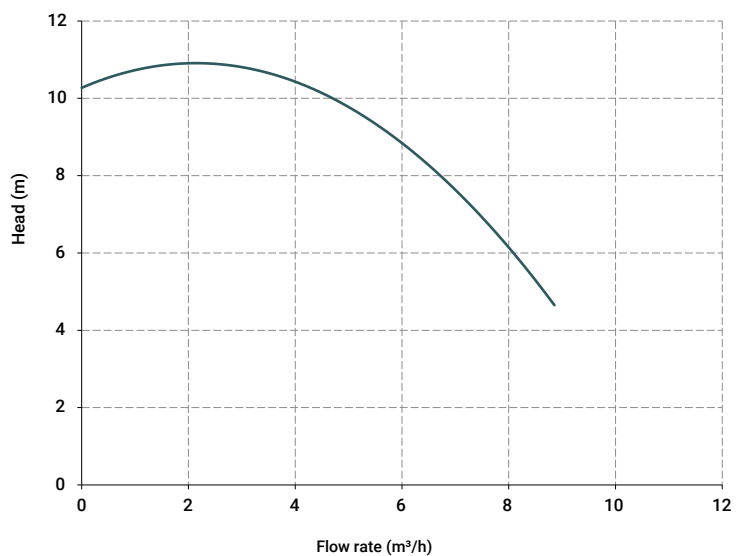


GOLD PROCESSING
INDUSTRY

Operating temperature:

PP	from +3°C to +65°C
PVDF	from +3°C to +95°C

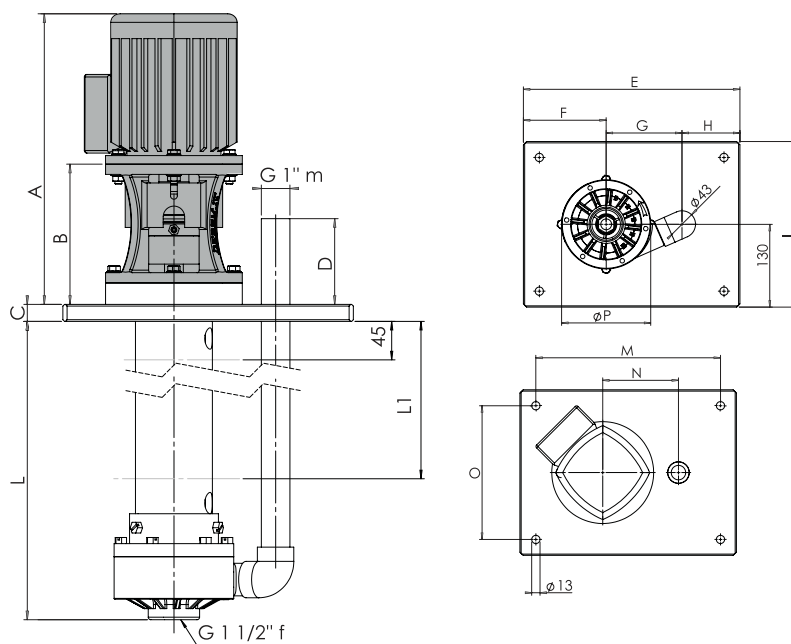
Specifications and types



The curves and the performances refer to pumps with open delivery outlet, with water at 20°C, 50 Hz two-pole motor [2900 RPM].

Specifications and types

MODEL	POWER	Ø PASSING SOLIDS	A	B	C	D	E	F	G	H	I	M	N	O	P	KG MOTOR
IM 90	0.55 Kw - 0.75 HP	10	340	164	20	100	340	130	119	91	260	290	119	210	Ø140	8



TANK USE

Pump	Motor power
IM 80	0.37 Kw - 0.5 HP
IM 90	0.55 Kw - 0.75 HP
IM 95	0.75 Kw - 1 HP
IM 110	1.1 Kw - 1.5 HP
IM 120	1.5 Kw - 2 HP
IM 130	2.2 Kw - 3 HP
IM 140	3 Kw - 4 HP
IM 150	4 Kw - 5.5 HP
IM 155	5.5 Kw - 7.5 HP
IM 160	7.5 Kw - 10 HP
IM 180	11 Kw - 15 HP
IM 200	18.5 Kw - 25 HP

Seal o-ring materials:

- EPDM
- VITON®

Package:

wooden cage - weights and dimensions vary based on the length of the pump

Accessories

FLANGE KIT (DIN standard - ANSI available on request):

- KITFLANGIM090P (POLYPROPYLENE)
- KITFLANGIM090F (PVDF)

- Pump protection filter* in PP (*the filter is sold separately)
- Pump protection filter* in PVDF (*the filter is sold separately)

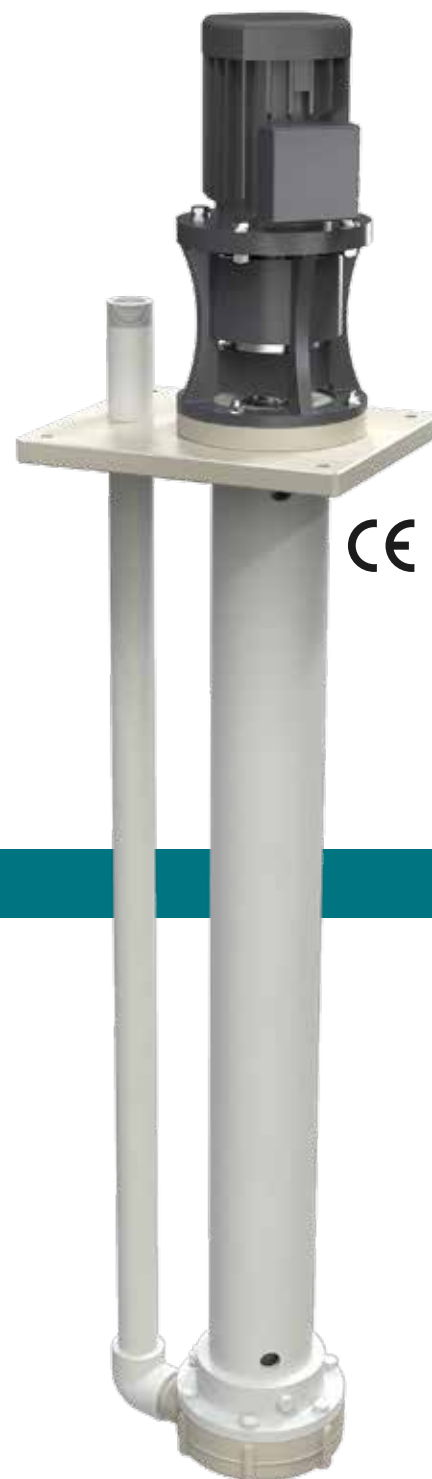
Customisable fixing plate only at the design stage

IM 95

VERTICAL CENTRIFUGAL PUMPS



- Product designed and constructed in Italy
- Constructed in polypropylene or PVDF
- Normalised electric motor
- Support lantern and connection between pump and motor with a flexible coupling
- Usable with fluids containing suspended solids
- Suitable for continuous use



IM PUMPS CODES ENCODING

ex. IM140P-V-0800-N
IM140 PP, O-Ring Viton®, column height 800 mm, three-phase motor

IM140	P	V	0800	N
PUMP MODEL	PUMP PUMP	O-RING	COLUMN HEIGHT	MOTOR
IM 80 - IM 80 IM 90 - IM 90 IM 95 - IM 95 IM 110 - IM 110 IM 120 - IM 120 IM 130 - IM 130 IM 140 - IM 140 IM 150 - IM 150 IM 155 - IM 155 IM 160 - IM 160 IM 180 - IM 180 IM 200 - IM 200	P - Polypropylene FC - PVDF+CF	D - EPDM V - Viton®	0250 - 250 mm** 0500 - 500 mm 0800 - 800 mm 1000 - 1000 mm 1250 - 1250 mm	N* - Three-phase motor M - Single-phase motor A - ATEX motor

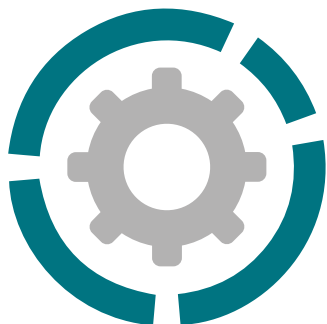
* Three-phase asynchronous eurotension motor fitted as standard (2 poles) 50Hz
** Available only for IM 80/90 pumps

IM 95

VERTICAL CENTRIFUGAL PUMPS



Specifications and types



Suction fittings	G 2" m or DN 50 on request
Delivery fittings	G 1"1/2 m or DN 40 on request
Max flow rate	13 m ³ /h
Max head	12 m
Viscosity up to	500 cps
Standard open impeller	Ø 100 mm H 7 mm *
Passing solids	Ø max 6 mm

* Special versions are available on request for the fluid pumped

PP



PVDF



Standard electric motor:

Kw	0.75
HP	1
Box	B5
RPM	2900
THREE-PHASE 230/400 V	
50/60 Hz	
2 poles	
Efficiency class	IE3
IP55 protection rating	
Ambient temperature -30°C + 45°C	
Aluminium/Cast iron	
SINGLE-PHASE	on request
ATEX	on request

STD Column length

STD Column length	PP* weight	PVDF* weight
500	15 Kg	16 Kg
800	19 Kg	20 Kg
1000	22 Kg	23 Kg
1250	24 Kg	25 Kg

* The weights refer to the pump without the motor

NB: Special versions only on request with column length from min. 350 mm to max. 1400 mm.

MAIN APPLICATION SECTORS



CHEMICAL
INDUSTRY



WATER AND SLUDGE
TREATMENT



GALVANIC AND ELECTRONIC
INDUSTRY

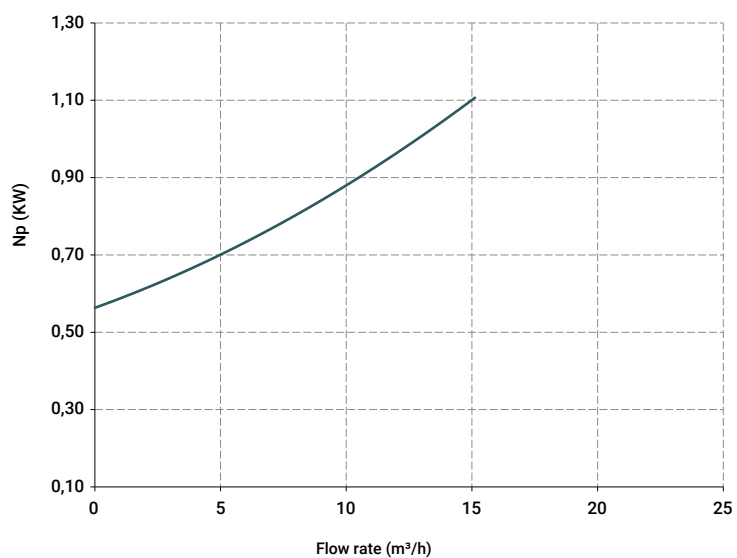
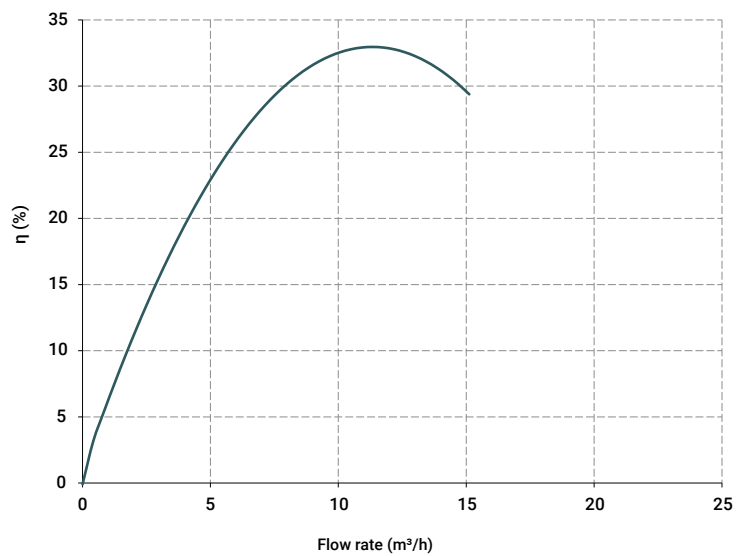
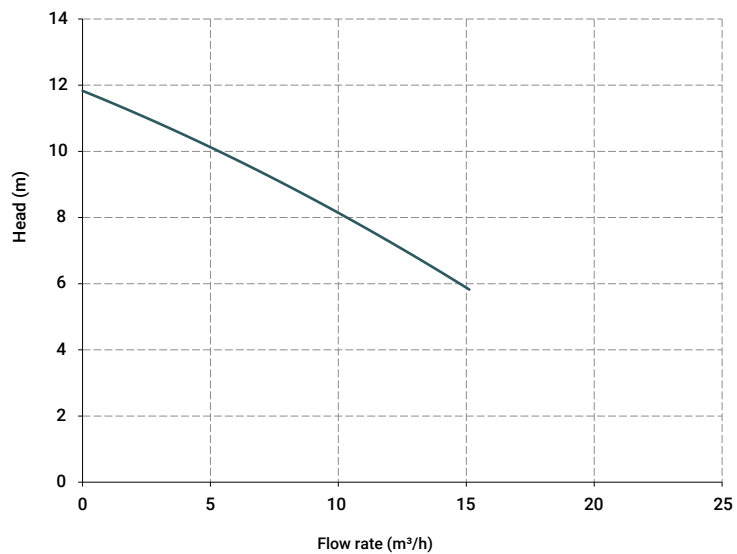


GOLD PROCESSING
INDUSTRY

Operating temperature:

PP	from +3°C to +65°C
PVDF	from +3°C to +95°C

Specifications and types



The curves and the performances refer to pumps with open delivery outlet, with water at 20°C, 50 Hz two-pole motor (2900 RPM).

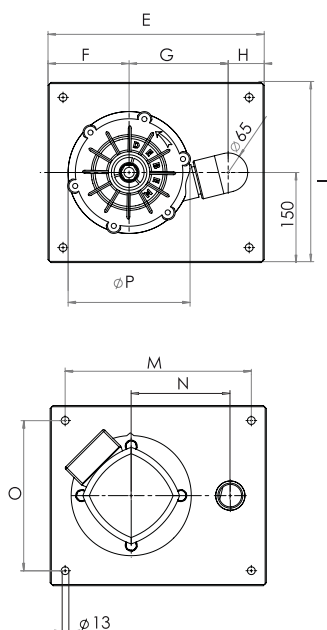
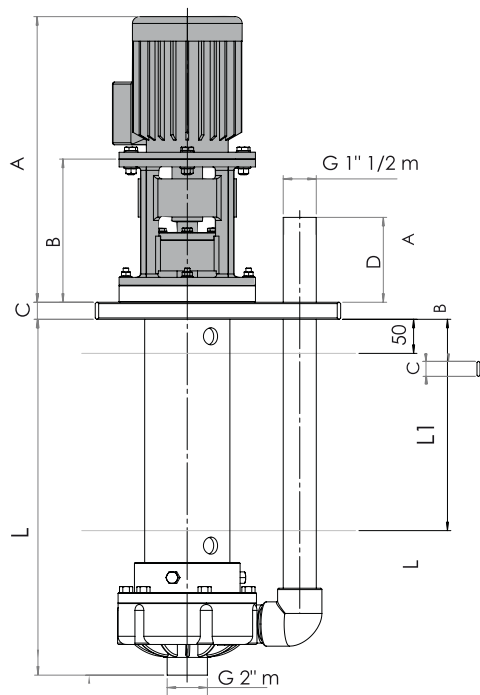
IM 95

VERTICAL CENTRIFUGAL PUMPS



Specifications and types

MODEL	POWER	Ø PASSING SOLIDS	A	B	C	D	E	F	G	H	I	M	N	O	P	KG MOTOR
IM 95	0.75 Kw - 1 HP	6	419	210	25	125	360	135	165	60	300	310	165	250	Ø203	12



TANK USE

Pump	Motor power
IM 80	0.37 Kw - 0.5 HP
IM 90	0.55 Kw - 0.75 HP
IM 95	0.75 Kw - 1 HP
IM 110	1.1 Kw - 1.5 HP
IM 120	1.5 Kw - 2 HP
IM 130	2.2 Kw - 3 HP
IM 140	3 Kw - 4 HP
IM 150	4 Kw - 5.5 HP
IM 155	5.5 Kw - 7.5 HP
IM 160	7.5 Kw - 10 HP
IM 180	11 Kw - 15 HP
IM 200	18.5 Kw - 25 HP

Seal o-ring materials:

- EPDM
- VITON®

Package:

wooden cage - weights and dimensions vary based on the length of the pump

Accessories

FLANGE KIT (DIN standard - ANSI available on request):

- KITFLANGIM095P (POLYPROPYLENE)
- KITFLANGIM095F (PVDF)

- Pump protection filter* in PP (*the filter is sold separately)
- Pump protection filter* in PVDF (*the filter is sold separately)

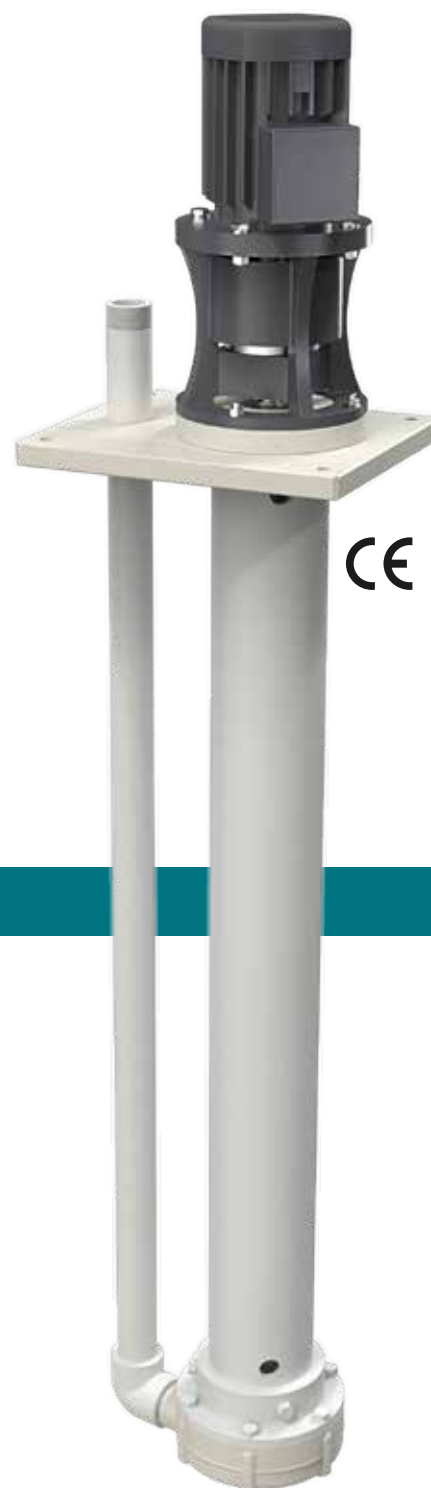
Customisable fixing plate only at the design stage

IM 110

VERTICAL CENTRIFUGAL PUMPS



- Product designed and constructed in Italy
- Constructed in polypropylene or PVDF
- Normalised electric motor
- Support lantern and connection between pump and motor with a flexible coupling
- Usable with fluids containing suspended solids
- Suitable for continuous use



IM PUMPS CODES ENCODING

ex. IM140P-V-0800-N
IM140 PP, O-Ring Viton®, column height 800 mm, three-phase motor

IM140	P	V	0800	N
PUMP MODEL	PUMP PUMP	O-RING	COLUMN HEIGHT	MOTOR
IM 80 - IM 80 IM 90 - IM 90 IM 95 - IM 95 IM 110 - IM 110 IM 120 - IM 120 IM 130 - IM 130 IM 140 - IM 140 IM 150 - IM 150 IM 155 - IM 155 IM 160 - IM 160 IM 180 - IM 180 IM 200 - IM 200	P - Polypropylene FC - PVDF+CF	D - EPDM V - Viton®	0250 - 250 mm** 0500 - 500 mm 0800 - 800 mm 1000 - 1000 mm 1250 - 1250 mm	N* - Three-phase motor M - Single-phase motor A - ATEX motor

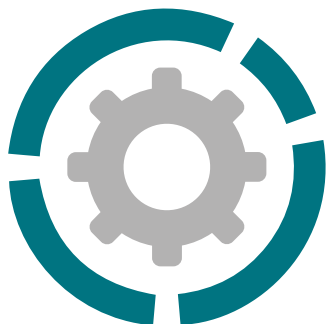
* Three-phase asynchronous eurotension motor fitted as standard (2 poles) 50Hz
** Available only for IM 80/90 pumps

IM 110

VERTICAL CENTRIFUGAL PUMPS



Specifications and types



Suction fittings	G 2" m or DN 50 on request
Delivery fittings	G 1 1/2 m or DN 40 on request
Max flow rate	20 m ³ /h
Max head	15 m
Viscosity up to	500 cps
Standard open impeller	Ø 120 mm H 8 mm *
Passing solids	Ø max 6 mm

* Special versions are available on request for the fluid pumped

PP



PVDF



Standard electric motor:

Kw	1.1
HP	1.5
Box	B5
RPM	2900

THREE-PHASE 230/400 V

50/60 Hz

2 poles

Efficiency class IE3

IP55 protection rating

Ambient temperature -30°C + 45°C

Aluminium/Cast iron

SINGLE-PHASE on request

ATEX on request

STD Column length PP* weight PVDF* weight

STD Column length	PP* weight	PVDF* weight
500	15 Kg	16 Kg
800	19 Kg	20 Kg
1000	22 Kg	23 Kg
1250	24 Kg	25 Kg

* The weights refer to the pump without the motor

NB: Special versions only on request with column length from min. 350 mm to max. 1400 mm.

MAIN APPLICATION SECTORS



CHEMICAL
INDUSTRY



WATER AND SLUDGE
TREATMENT



GALVANIC AND ELECTRONIC
INDUSTRY

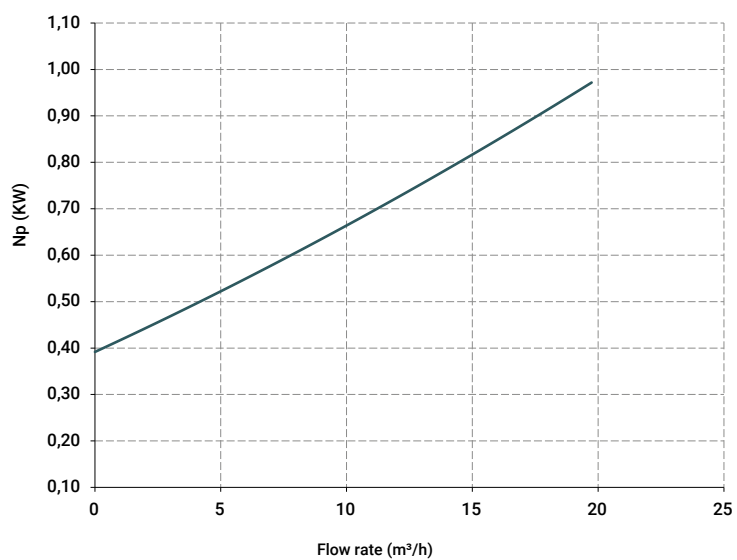
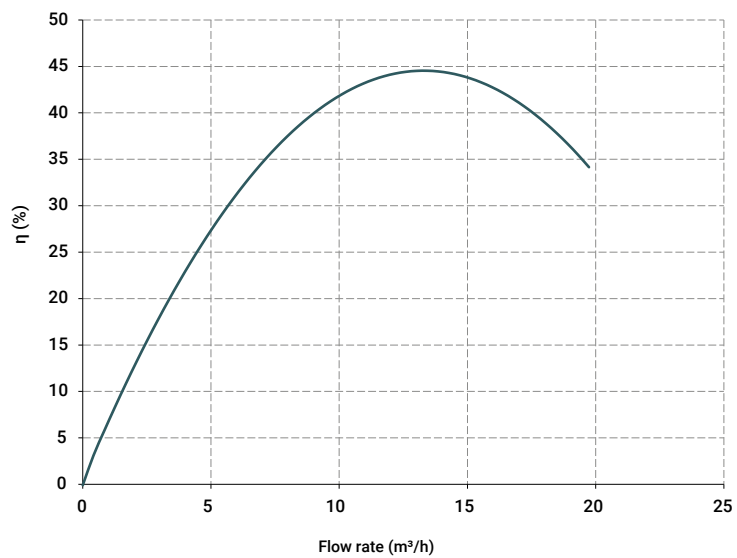
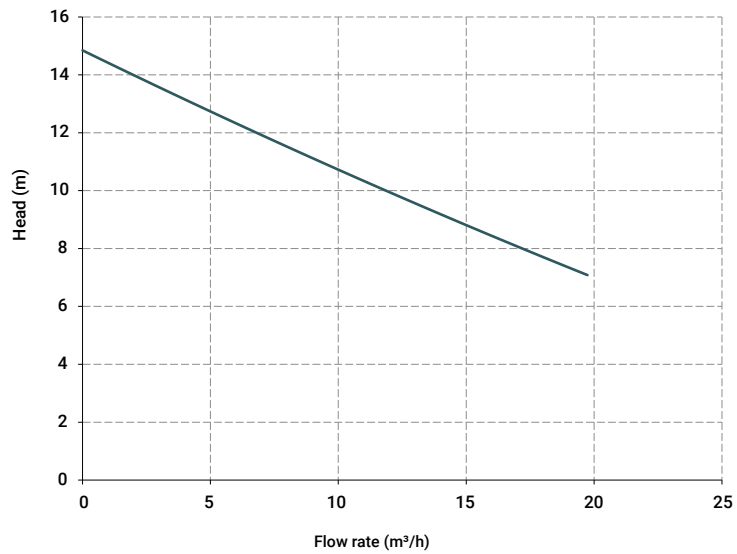


GOLD PROCESSING
INDUSTRY

Operating temperature:

PP	from +3°C to +65°C
PVDF	from +3°C to +95°C

Specifications and types



The curves and the performances refer to pumps with open delivery outlet, with water at 20°C, 50 Hz two-pole motor (2900 RPM).

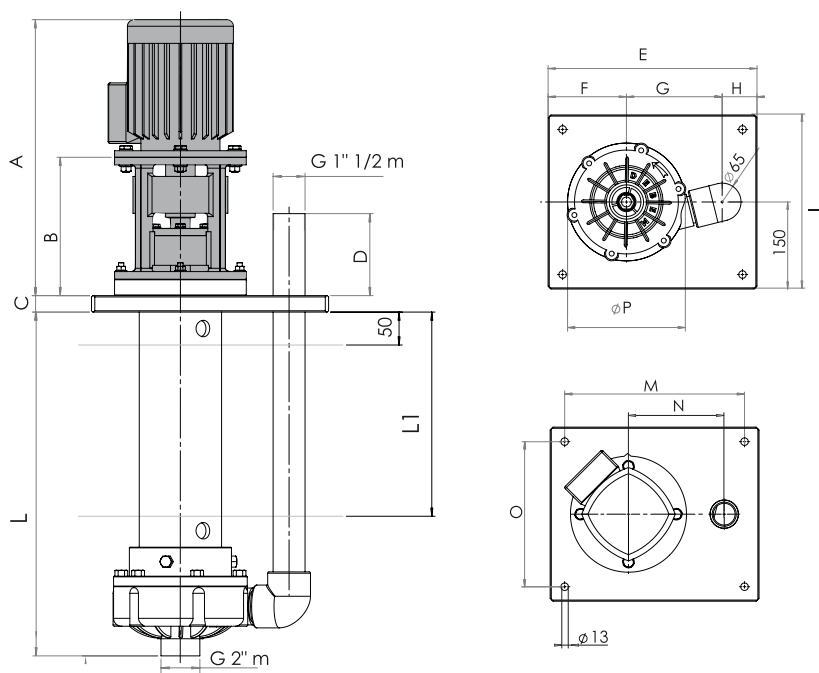
IM 110

VERTICAL CENTRIFUGAL PUMPS



Specifications and types

MODEL	POWER	ØPASSING SOLIDS	A	B	C	D	E	F	G	H	I	M	N	O	P	KG MOTOR
IM 110	1.1 Kw - 1.5 HP	6	419	210	25	125	360	135	165	60	300	310	165	250	Ø203	13



TANK USE

Pump	Motor power
IM 80	0.37 Kw - 0.5 HP
IM 90	0.55 Kw - 0.75 HP
IM 95	0.75 Kw - 1 HP
IM 110	1.1 Kw - 1.5 HP
IM 120	1.5 Kw - 2 HP
IM 130	2.2 Kw - 3 HP
IM 140	3 Kw - 4 HP
IM 150	4 Kw - 5.5 HP
IM 155	5.5 Kw - 7.5 HP
IM 160	7.5 Kw - 10 HP
IM 180	11 Kw - 15 HP
IM 200	18.5 Kw - 25 HP

Seal o-ring materials:

- EPDM
- VITON®

Package:

wooden cage - weights and dimensions vary based on the length of the pump

Accessories

FLANGE KIT (DIN standard - ANSI available on request):

- KITFLANGIM110P (POLYPROPYLENE)
- KITFLANGIM110F (PVDF)

- Pump protection filter* in PP (*the filter is sold separately)
- Pump protection filter* in PVDF (*the filter is sold separately)

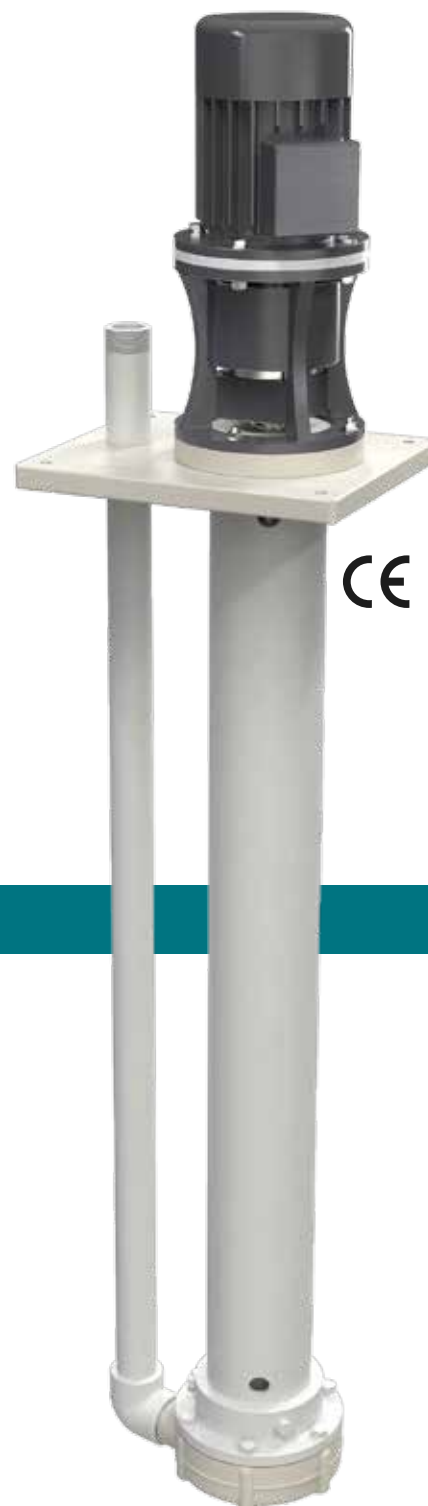
Customisable fixing plate only at the design stage

IM 120

VERTICAL CENTRIFUGAL PUMPS



- Product designed and constructed in Italy
- Constructed in polypropylene or PVDF
- Normalised electric motor
- Support lantern and connection between pump and motor with a flexible coupling
- Usable with fluids containing suspended solids
- Suitable for continuous use



IM PUMPS CODES ENCODING

ex. IM140P-V-0800-N
IM140 PP, O-Ring Viton®, column height 800 mm, three-phase motor

IM140	P	V	0800	N
PUMP MODEL	PUMP PUMP	O-RING	COLUMN HEIGHT	MOTOR
IM 80 - IM 80 IM 90 - IM 90 IM 95 - IM 95 IM 110 - IM 110 IM 120 - IM 120 IM 130 - IM 130 IM 140 - IM 140 IM 150 - IM 150 IM 155 - IM 155 IM 160 - IM 160 IM 180 - IM 180 IM 200 - IM 200	P - Polypropylene FC - PVDF+CF	D - EPDM V - Viton®	0250 - 250 mm** 0500 - 500 mm 0800 - 800 mm 1000 - 1000 mm 1250 - 1250 mm	N* - Three-phase motor M - Single-phase motor A - ATEX motor

* Three-phase asynchronous eurotension motor fitted as standard (2 poles) 50Hz

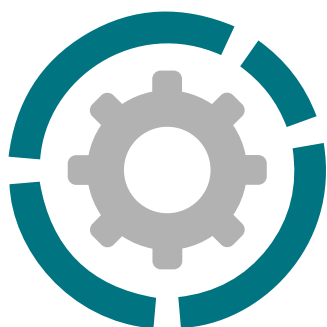
** Available only for IM 80/90 pumps

IM 120

VERTICAL CENTRIFUGAL PUMPS



Specifications and types



Suction fittings	G 2" m or DN 50 on request
Delivery fittings	G 1"1/2 m or DN 40 on request
Max flow rate	25 m ³ /h
Max head	15.5 m
Viscosity up to	500 cps
Standard open impeller	Ø 125 mm H 8 mm *
Passing solids	Ø max 6 mm

* Special versions are available on request for the fluid pumped

PP



PVDF



Standard electric motor:

Kw	1.5
HP	2
Box	B5
RPM	2900
THREE-PHASE 230/400 V	
50/60 Hz	
2 poles	
Efficiency class	IE3
IP55 protection rating	
Ambient temperature -30°C + 45°C	
Aluminium/Cast iron	
SINGLE-PHASE	on request
ATEX	on request

STD Column length	PP* weight	PVDF* weight
500	15 Kg	16 Kg
800	19 Kg	20 Kg
1000	22 Kg	23 Kg
1250	24 Kg	25 Kg

* The weights refer to the pump without the motor

NB: Special versions only on request with column length from min. 350 mm to max. 1400 mm.

MAIN APPLICATION SECTORS



CHEMICAL
INDUSTRY



WATER AND SLUDGE
TREATMENT



GALVANIC AND ELECTRONIC GOLD
PROCESSING
INDUSTRY

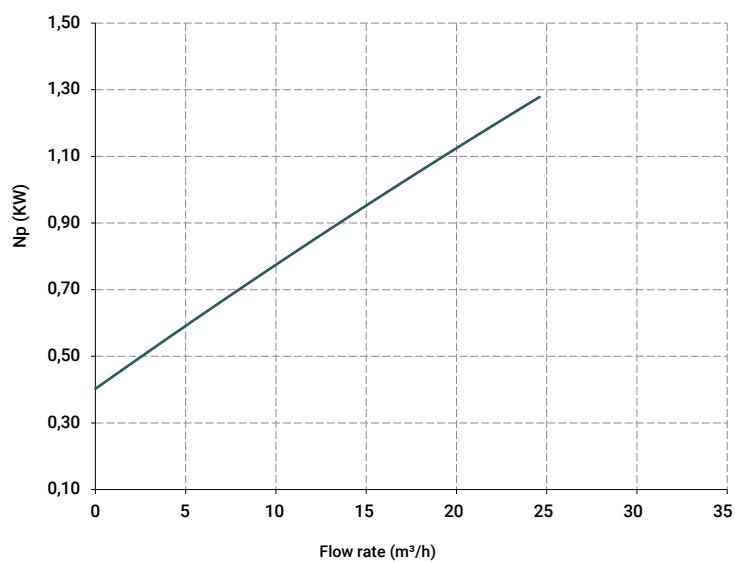
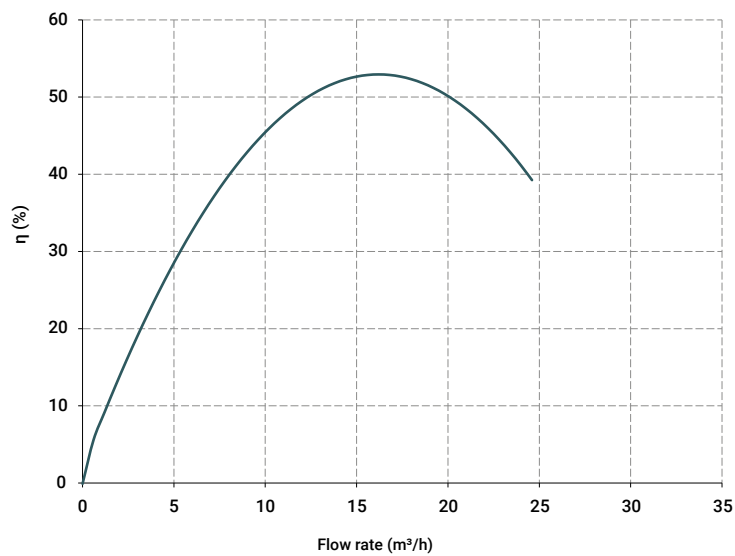
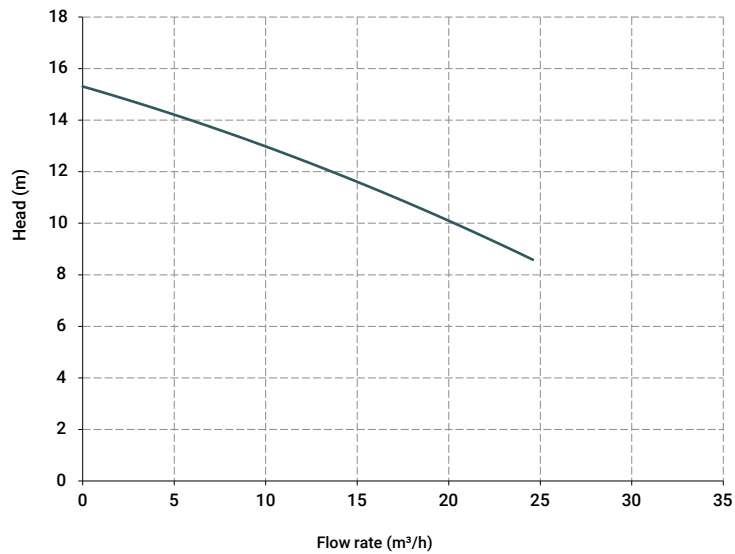


DIAMOND
PROCESSING
INDUSTRY

Operating temperature:

PP	from +3°C to +65°C
PVDF	from +3°C to +95°C

Specifications and types



The curves and the performances refer to pumps with open delivery outlet, with water at 20°C, 50 Hz two-pole motor (2900 RPM).

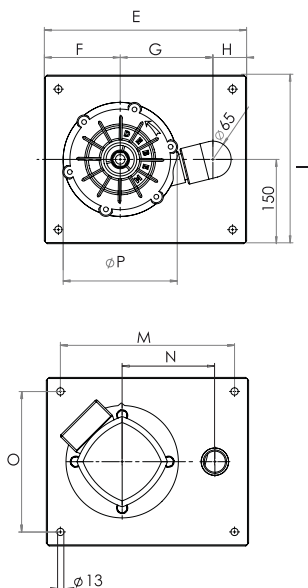
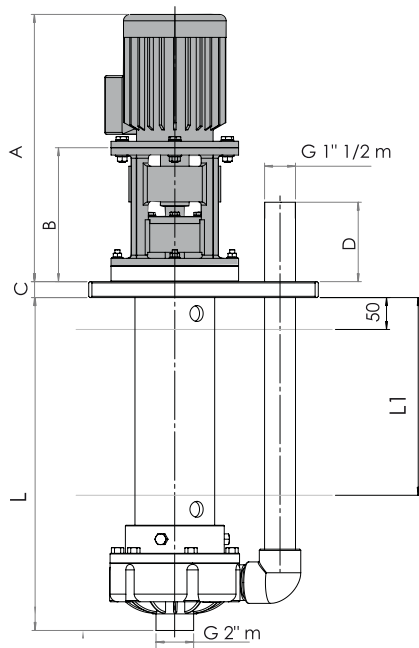
IM 120

VERTICAL CENTRIFUGAL PUMPS



Specifications and types

MODEL	POWER	Ø PASSING SOLIDS	A	B	C	D	E	F	G	H	I	M	N	O	P	KG MOTOR
IM 120	1.5 Kw - 2 HP	6	446	220	25	125	360	135	165	60	300	310	165	250	Ø203	17



TANK USE

Pump	Motor power
IM 80	0.37 Kw - 0.5 HP
IM 90	0.55 Kw - 0.75 HP
IM 95	0.75 Kw - 1 HP
IM 110	1.1 Kw - 1.5 HP
IM 120	1.5 Kw - 2 HP
IM 130	2.2 Kw - 3 HP
IM 140	3 Kw - 4 HP
IM 150	4 Kw - 5.5 HP
IM 155	5.5 Kw - 7.5 HP
IM 160	7.5 Kw - 10 HP
IM 180	11 Kw - 15 HP
IM 200	18.5 Kw - 25 HP

Seal o-ring materials:

- EPDM
- VITON®

Package:

wooden cage - weights and dimensions vary based on the length of the pump

Accessories

FLANGE KIT (DIN standard - ANSI available on request):

- KITFLANGIM120P (POLYPROPYLENE)
- KITFLANGIM120F (PVDF)

- Pump protection filter* in PP (*the filter is sold separately)
- Pump protection filter* in PVDF (*the filter is sold separately)

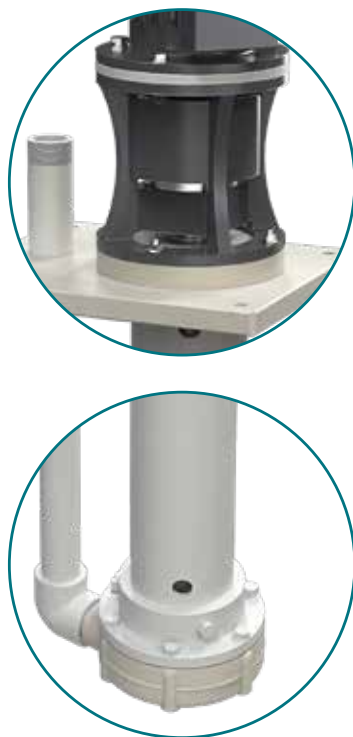
Customisable fixing plate only at the design stage

IM 130

VERTICAL CENTRIFUGAL PUMPS



- Product designed and constructed in Italy
- Constructed in polypropylene or PVDF
- Normalised electric motor
- Support lantern and connection between pump and motor with a flexible coupling
- Usable with fluids containing suspended solids
- Suitable for continuous use



IM PUMPS CODES ENCODING

ex. IM140P-V-0800-N
IM140 PP, O-Ring Viton®, column height 800 mm, three-phase motor

IM140	P	V	0800	N
PUMP MODEL	PUMP PUMP	O-RING	COLUMN HEIGHT	MOTOR
IM 80 - IM 80 IM 90 - IM 90 IM 95 - IM 95 IM 110 - IM 110 IM 120 - IM 120 IM 130 - IM 130 IM 140 - IM 140 IM 150 - IM 150 IM 155 - IM 155 IM 160 - IM 160 IM 180 - IM 180 IM 200 - IM 200	P - Polypropylene FC - PVDF+CF	D - EPDM V - Viton®	0250 - 250 mm** 0500 - 500 mm 0800 - 800 mm 1000 - 1000 mm 1250 - 1250 mm	N* - Three-phase motor M - Single-phase motor A - ATEX motor

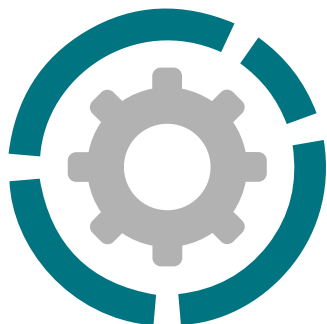
* Three-phase asynchronous eurotension motor fitted as standard (2 poles) 50Hz
** Available only for IM 80/90 pumps

IM 130

VERTICAL CENTRIFUGAL PUMPS



Specifications and types



Suction fittings	G 2" m or DN 50 on request
Delivery fittings	G 1"1/2 m or DN 40 on request
Max flow rate	30 m ³ /h
Max head	20 m
Viscosity up to	500 cps
Standard open impeller	Ø 130 mm H 8 mm *
Passing solids	Ø max 6 mm

* Special versions are available on request for the fluid pumped

PP



PVDF



Standard electric motor:

Kw	2.2
HP	3
Box	B5
RPM	2900

THREE-PHASE 230/400 V
50/60 Hz

2 poles

Efficiency class IE3

IP55 protection rating

Ambient temperature -30°C + 45°C

Aluminium/Cast iron

SINGLE-PHASE on request

ATEX on request

STD Column length PP* weight PVDF* weight

500	15 Kg	16 Kg
800	19 Kg	20 Kg
1000	22 Kg	23 Kg
1250	24 Kg	25 Kg

* The weights refer to the pump without the motor

NB: Special versions only on request with column length from min. 350 mm to max. 1400 mm.

MAIN APPLICATION SECTORS



CHEMICAL
INDUSTRY



WATER AND SLUDGE
TREATMENT



GALVANIC AND ELECTRONIC
INDUSTRY

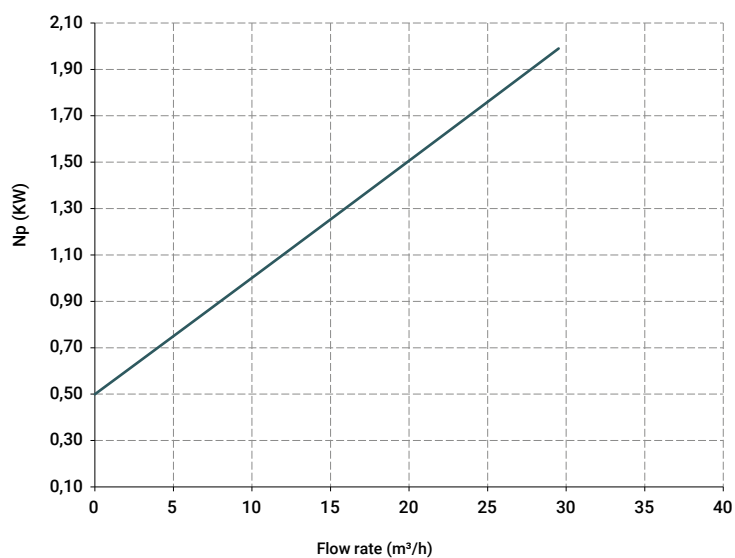
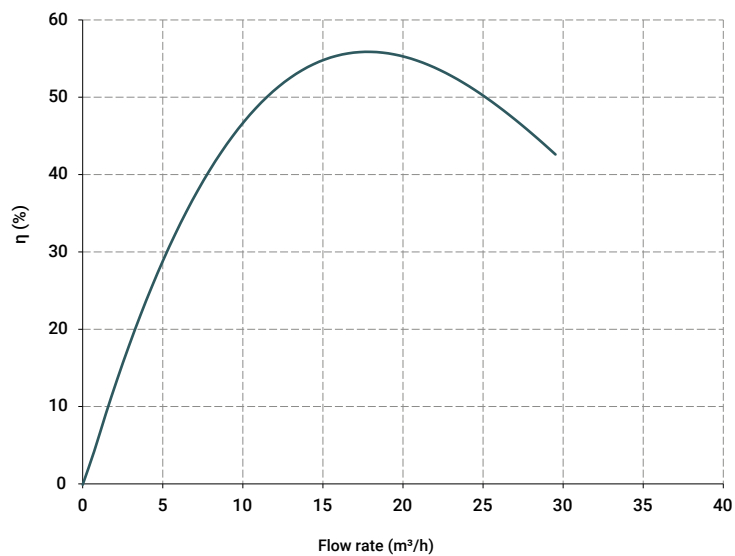
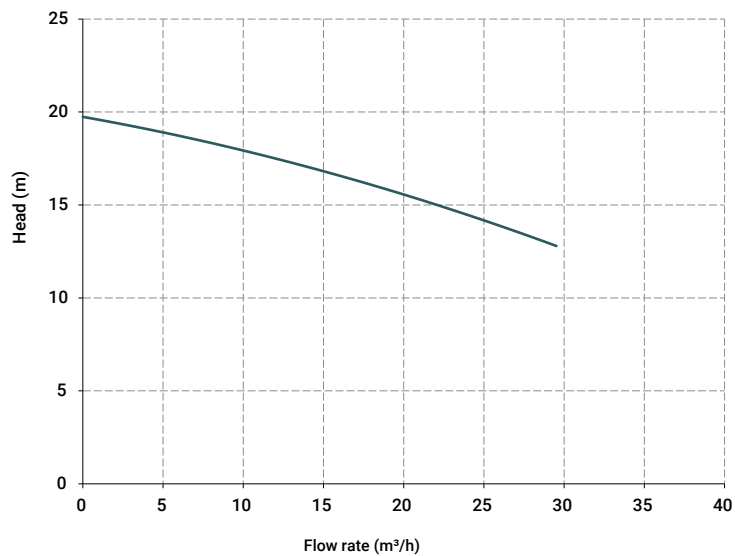


GOLD PROCESSING
INDUSTRY

Operating temperature:

PP	from +3°C to +65°C
PVDF	from +3°C to +95°C

Specifications and types



The curves and the performances refer to pumps with open delivery outlet, with water at 20°C, 50 Hz two-pole motor [2900 RPM].

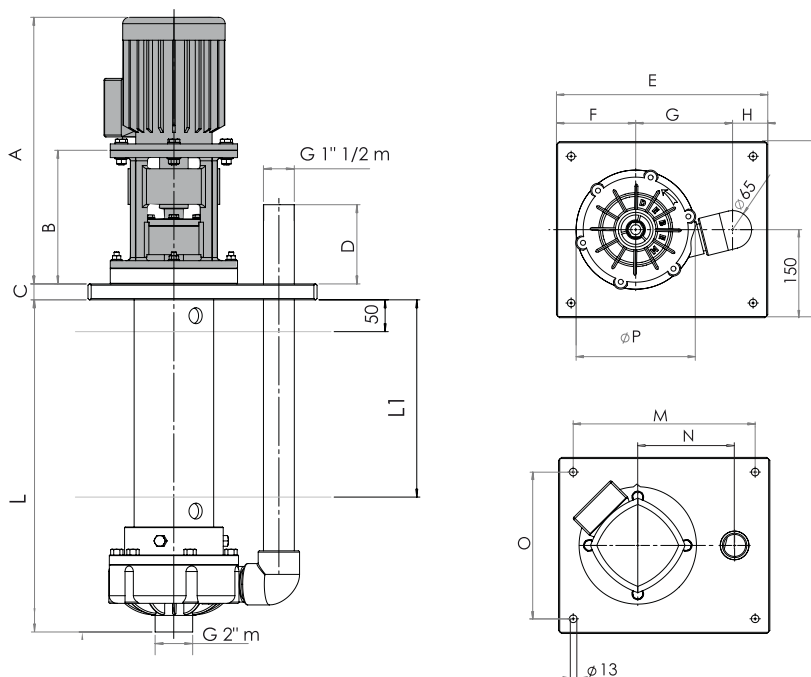
IM 130

VERTICAL CENTRIFUGAL PUMPS



Specifications and types

MODEL	POWER	ØPASSING SOLIDS	A	B	C	D	E	F	G	H	I	M	N	O	P	KG MOTOR
IM 130	2.2 Kw - 3 HP	6	467	220	25	125	360	135	165	60	300	310	165	250	Ø203	20



TANK USE

Pump	Motor power
IM 80	0.37 Kw - 0.5 HP
IM 90	0.55 Kw - 0.75 HP
IM 95	0.75 Kw - 1 HP
IM 110	1.1 Kw - 1.5 HP
IM 120	1.5 Kw - 2 HP
IM 130	2.2 Kw - 3 HP
IM 140	3 Kw - 4 HP
IM 150	4 Kw - 5.5 HP
IM 155	5.5 Kw - 7.5 HP
IM 160	7.5 Kw - 10 HP
IM 180	11 Kw - 15 HP
IM 200	18.5 Kw - 25 HP

Seal o-ring materials:

- EPDM
- VITON®

Package:

wooden cage - weights and dimensions vary based on the length of the pump

Accessories

FLANGE KIT (DIN standard - ANSI available on request):

- KITFLANGIM130P (POLYPROPYLENE)
- KITFLANGIM130F (PVDF)

- Pump protection filter* in PP (*the filter is sold separately)
- Pump protection filter* in PVDF (*the filter is sold separately)

Customisable fixing plate only at the design stage

IM 140

VERTICAL CENTRIFUGAL PUMPS



- Product designed and constructed in Italy
- Constructed in polypropylene or PVDF
- Normalised electric motor
- Support lantern and connection between pump and motor with a flexible coupling
- Usable with fluids containing suspended solids
- Suitable for continuous use



IM PUMPS CODES ENCODING

ex. IM140P-V-0800-N
IM140 PP, O-Ring Viton®, column height 800 mm, three-phase motor

IM140	P	V	0800	N
PUMP MODEL	PUMP PUMP	O-RING	COLUMN HEIGHT	MOTOR
IM 80 - IM 80 IM 90 - IM 90 IM 95 - IM 95 IM 110 - IM 110 IM 120 - IM 120 IM 130 - IM 130 IM 140 - IM 140 IM 150 - IM 150 IM 155 - IM 155 IM 160 - IM 160 IM 180 - IM 180 IM 200 - IM 200	P - Polypropylene FC - PVDF+CF	D - EPDM V - Viton®	0250 - 250 mm** 0500 - 500 mm 0800 - 800 mm 1000 - 1000 mm 1250 - 1250 mm	N* - Three-phase motor M - Single-phase motor A - ATEX motor

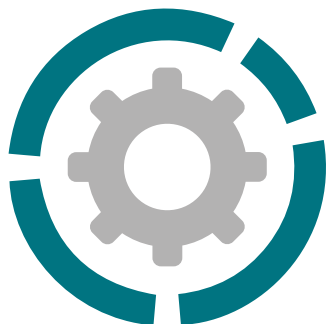
* Three-phase asynchronous eurotension motor fitted as standard (2 poles) 50Hz
** Available only for IM 80/90 pumps

IM 140

VERTICAL CENTRIFUGAL PUMPS



Specifications and types



Suction fittings	G 2" m or DN 50 on request
Delivery fittings	G 1"1/2 m or DN 40 on request
Max flow rate	40 m ³ /h
Max head	21 m
Viscosity up to	500 cps
Standard open impeller	Ø 130 mm H 14 mm *
Passing solids	Ø max 12 mm

* Special versions are available on request for the fluid pumped

PP



PVDF



Standard electric motor:

Kw	3
HP	4
Box	B5
RPM	2900
THREE-PHASE 230/400 V	
50/60 Hz	
2 poles	
Efficiency class	IE3
IP55 protection rating	
Ambient temperature -30°C + 45°C	
Aluminium/Cast iron	
SINGLE-PHASE	on request
ATEX	on request

STD Column length	PP* weight	PVDF* weight
500	15 Kg	16 Kg
800	19 Kg	20 Kg
1000	22 Kg	23 Kg
1250	24 Kg	25 Kg

* The weights refer to the pump without the motor

NB: Special versions only on request with column length from min. 350 mm to max. 1400 mm.

MAIN APPLICATION SECTORS



CHEMICAL
INDUSTRY



WATER AND SLUDGE
TREATMENT

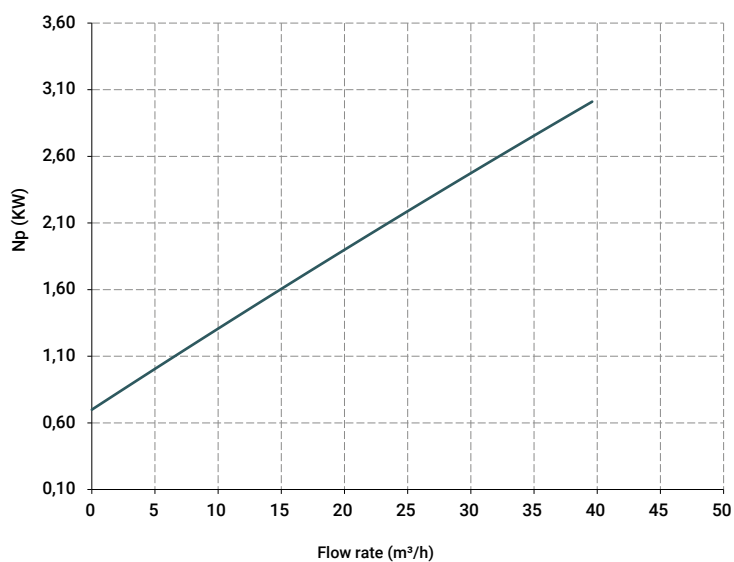
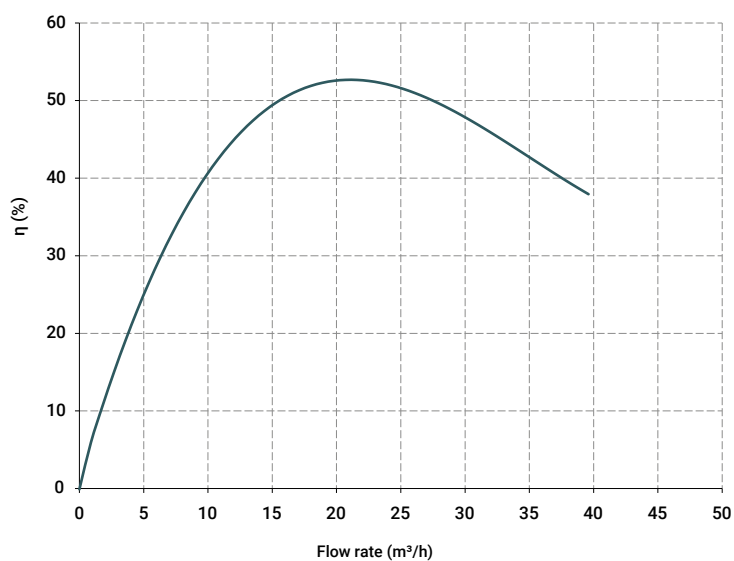
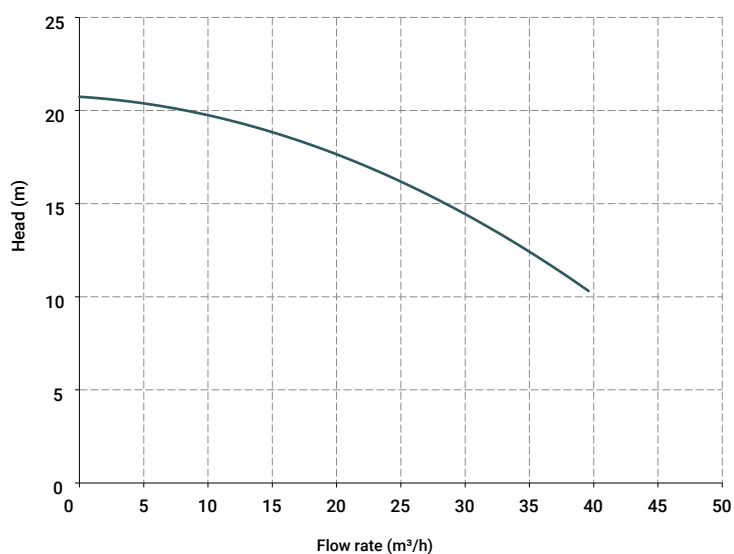


GALVANIC AND ELECTRONIC
INDUSTRY

Operating temperature:

PP	from +3°C to +65°C
PVDF	from +3°C to +95°C

Specifications and types



The curves and the performances refer to pumps with open delivery outlet, with water at 20°C, 50 Hz two-pole motor [2900 RPM].

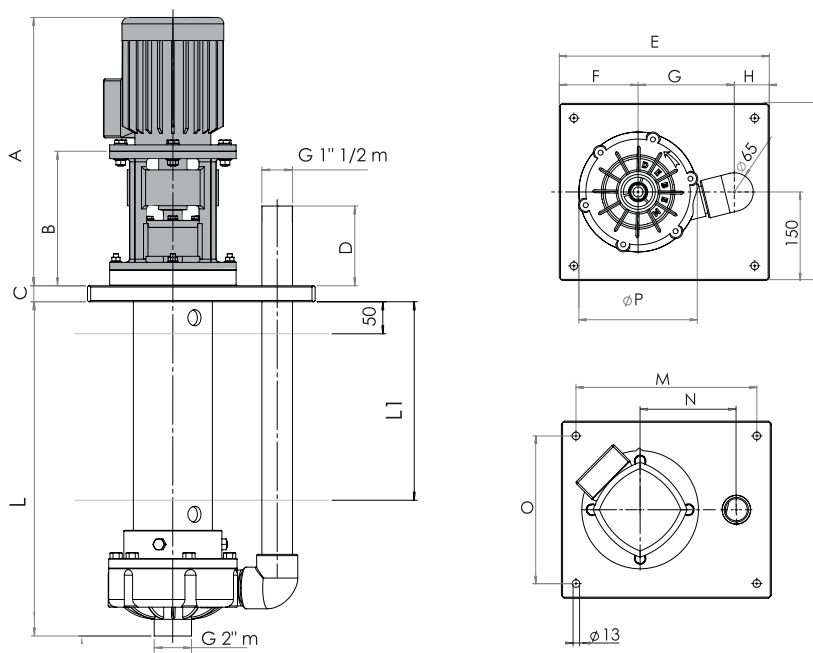
IM 140

VERTICAL CENTRIFUGAL PUMPS



Specifications and types

MODEL	POWER	Ø PASSING SOLIDS	A	B	C	D	E	F	G	H	I	M	N	O	P	KG MOTOR
IM 140	3 Kw - 4 HP	12	507	235	25	120	360	135	165	60	300	310	165	250	Ø203	34



TANK USE

Pump	Motor power
IM 80	0.37 Kw - 0.5 HP
IM 90	0.55 Kw - 0.75 HP
IM 95	0.75 Kw - 1 HP
IM 110	1.1 Kw - 1.5 HP
IM 120	1.5 Kw - 2 HP
IM 130	2.2 Kw - 3 HP
IM 140	3 Kw - 4 HP
IM 150	4 Kw - 5.5 HP
IM 155	5.5 Kw - 7.5 HP
IM 160	7.5 Kw - 10 HP
IM 180	11 Kw - 15 HP
IM 200	18.5 Kw - 25 HP

Seal o-ring materials:

- EPDM
- VITON®

Package:

wooden cage - weights and dimensions vary based on the length of the pump

Accessories

FLANGE KIT (DIN standard - ANSI available on request):

- KITFLANGIM140P (POLYPROPYLENE)
- KITFLANGIM140F (PVDF)

- Pump protection filter* in PP (*the filter is sold separately)
- Pump protection filter* in PVDF (*the filter is sold separately)

Customisable fixing plate only at the design stage

IM 150

VERTICAL CENTRIFUGAL PUMPS



- Product designed and constructed in Italy
- Constructed in polypropylene or PVDF
- Normalised electric motor
- Support lantern and connection between pump and motor with a flexible coupling
- Usable with fluids containing suspended solids
- Suitable for continuous use



IM PUMPS CODES ENCODING

ex. IM140P-V-0800-N
IM140 PP, O-Ring Viton®, column height 800 mm, three-phase motor

IM140	P	V	0800	N
PUMP MODEL	PUMP PUMP	O-RING	COLUMN HEIGHT	MOTOR
IM 80 - IM 80 IM 90 - IM 90 IM 95 - IM 95 IM 110 - IM 110 IM 120 - IM 120 IM 130 - IM 130 IM 140 - IM 140 IM 150 - IM 150 IM 155 - IM 155 IM 160 - IM 160 IM 180 - IM 180 IM 200 - IM 200	P - Polypropylene FC - PVDF+CF	D - EPDM V - Viton®	0250 - 250 mm** 0500 - 500 mm 0800 - 800 mm 1000 - 1000 mm 1250 - 1250 mm	N* - Three-phase motor M - Single-phase motor A - ATEX motor

* Three-phase asynchronous eurotension motor fitted as standard (2 poles) 50Hz

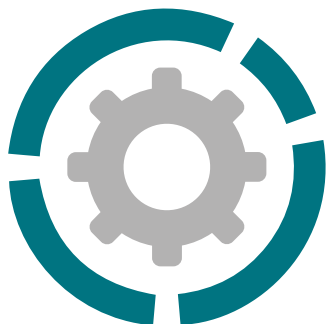
** Available only for IM 80/90 pumps

IM 150

VERTICAL CENTRIFUGAL PUMPS



Specifications and types



Suction fittings	G 2" 1/2 f or DN 65 on request
Delivery fittings	G 2" m or DN 50 on request
Max flow rate	42 m ³ /h
Max head	24 m
Viscosity up to	500 cps
Standard open impeller	Ø 160 mm H 4 mm -10° *
Passing solids	Ø max 2 mm

* Special versions are available on request for the fluid pumped

PP



PVDF



Standard electric motor:

Kw	4
HP	5.5
Box	B5
RPM	2900
THREE-PHASE 230/400 V	
50/60 Hz	
2 poles	
Efficiency class	IE3
IP55 protection rating	
Ambient temperature -30°C + 45°C	
Aluminium/Cast iron	
ATEX	on request

STD Column length	PP* weight	PVDF* weight
500	15 Kg	16 Kg
800	19 Kg	20 Kg
1000	22 Kg	23 Kg
1250	24 Kg	25 Kg

* The weights refer to the pump without the motor

NB: Special versions only on request with column length from min. 400 mm to max. 1000 mm.

MAIN APPLICATION SECTORS



CHEMICAL
INDUSTRY



WATER AND SLUDGE
TREATMENT

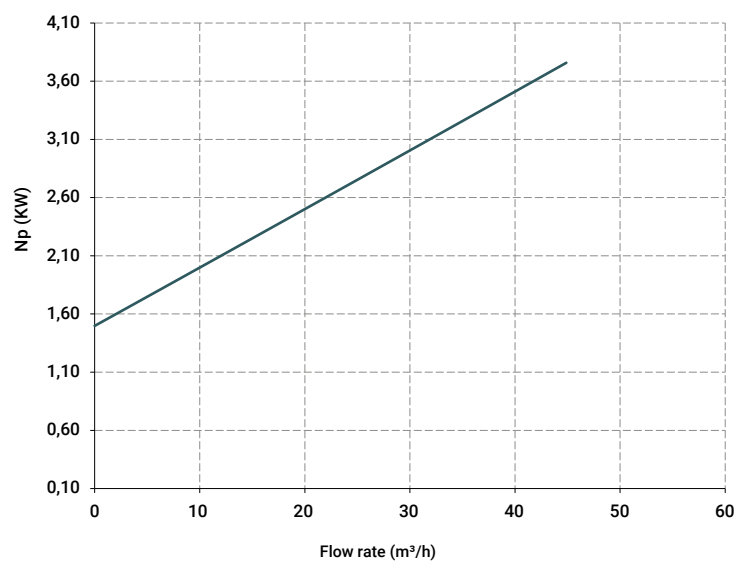
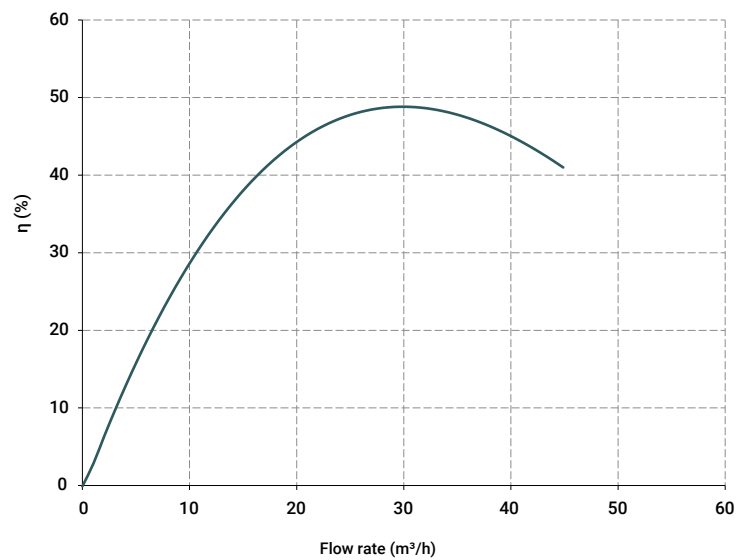
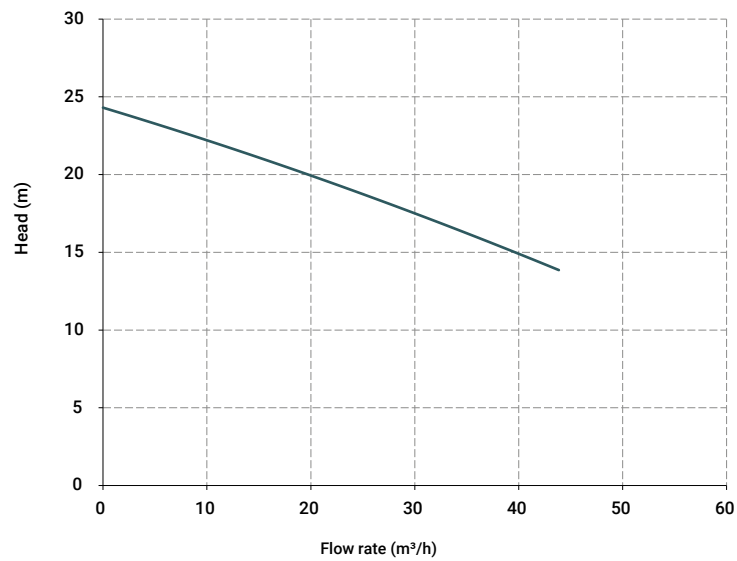


GALVANIC AND ELECTRONIC
INDUSTRY

Operating temperature:

PP	from +3°C to +65°C
PVDF	from +3°C to +95°C

Specifications and types



The curves and the performances refer to pumps with open delivery outlet, with water at 20°C, 50 Hz two-pole motor (2900 RPM).

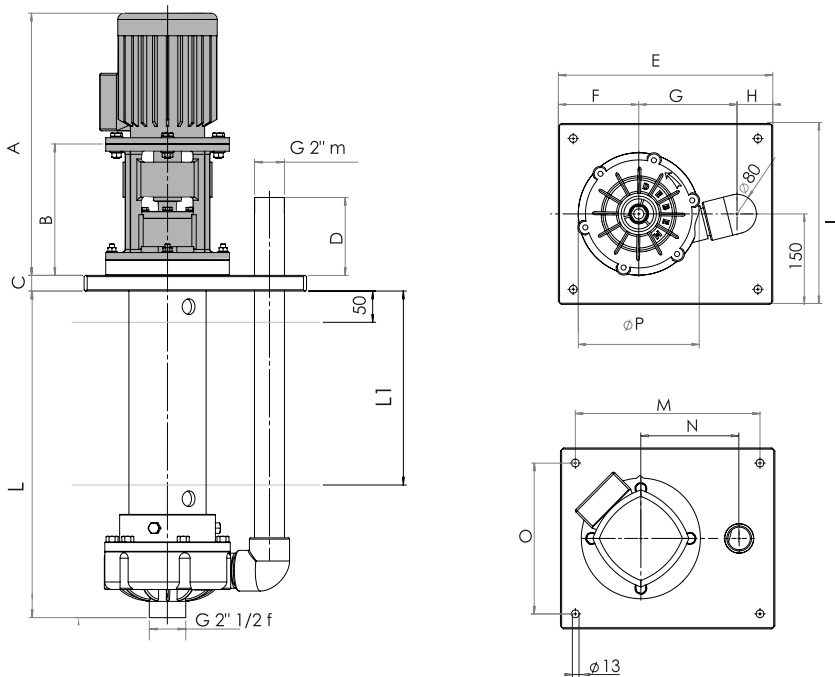
IM 150

VERTICAL CENTRIFUGAL PUMPS



Specifications and types

MODEL	POWER	Ø PASSING SOLIDS	A	B	C	D	E	F	G	H	I	M	N	O	P	KG MOTOR
IM 150	4 Kw - 5.5 HP	2	532	233	25	132	480	170	215	95	380	430	215	330	Ø275	36



TANK USE

Pump	Motor power
IM 80	0.37 Kw - 0.5 HP
IM 90	0.55 Kw - 0.75 HP
IM 95	0.75 Kw - 1 HP
IM 110	1.1 Kw - 1.5 HP
IM 120	1.5 Kw - 2 HP
IM 130	2.2 Kw - 3 HP
IM 140	3 Kw - 4 HP
IM 150	4 Kw - 5.5 HP
IM 155	5.5 Kw - 7.5 HP
IM 160	7.5 Kw - 10 HP
IM 180	11 Kw - 15 HP
IM 200	18.5 Kw - 25 HP

Seal o-ring materials:

- EPDM
- VITON®

Package:

wooden cage - weights and dimensions vary based on the length of the pump

Accessories

FLANGE KIT (DIN standard - ANSI available on request):

- KITFLANGIM150P (POLYPROPYLENE)
- KITFLANGIM150F (PVDF)

- Pump protection filter* in PP (*the filter is sold separately)
- Pump protection filter* in PVDF (*the filter is sold separately)

Customisable fixing plate only at the design stage

IM 155

VERTICAL CENTRIFUGAL PUMPS



- Product designed and constructed in Italy
- Constructed in polypropylene or PVDF
- Normalised electric motor
- Support lantern and connection between pump and motor with a flexible coupling
- Usable with fluids containing suspended solids
- Suitable for continuous use



IM PUMPS CODES ENCODING

ex. IM140P-V-0800-N
IM140 PP, O-Ring Viton®, column height 800 mm, three-phase motor

IM140	P	V	0800	N
PUMP MODEL	PUMP PUMP	O-RING	COLUMN HEIGHT	MOTOR
IM 80 - IM 80 IM 90 - IM 90 IM 95 - IM 95 IM 110 - IM 110 IM 120 - IM 120 IM 130 - IM 130 IM 140 - IM 140 IM 150 - IM 150 IM 155 - IM 155 IM 160 - IM 160 IM 180 - IM 180 IM 200 - IM 200	P - Polypropylene FC - PVDF+CF	D - EPDM V - Viton®	0250 - 250 mm** 0500 - 500 mm 0800 - 800 mm 1000 - 1000 mm 1250 - 1250 mm	N* - Three-phase motor M - Single-phase motor A - ATEX motor

* Three-phase asynchronous eurotension motor fitted as standard (2 poles) 50Hz

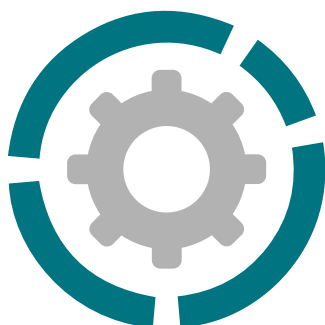
** Available only for IM 80/90 pumps

IM 155

VERTICAL CENTRIFUGAL PUMPS



Specifications and types



Suction fittings	G 2" 1/2 f or DN 65 on request
Delivery fittings	G 2" m or DN 50 on request
Max flow rate	42 m ³ /h
Max head	27 m
Viscosity up to	500 cps
Standard open impeller	Ø 162 mm H 4 mm -10° *
Passing solids	Ø max 2 mm

* Special versions are available on request for the fluid pumped

PP



PVDF



Standard electric motor:

Kw	5.5
HP	7.5
Box	B5
RPM	2900

THREE-PHASE 400/690 V

50/60 Hz

2 poles

Efficiency class IE3

IP55 protection rating

Ambient temperature -30°C + 45°C

Aluminium/Cast iron

ATEX on request

STD Column length	PP* weight	PVDF* weight
500	28 Kg	30 Kg
800	31 Kg	33 Kg
1000	33 Kg	35 Kg
1250	36 Kg	38 Kg

* The weights refer to the pump without the motor

NB: Special versions only on request with column length from min. 400 mm to max. 1000 mm.

MAIN APPLICATION SECTORS



CHEMICAL
INDUSTRY



WATER AND SLUDGE
TREATMENT

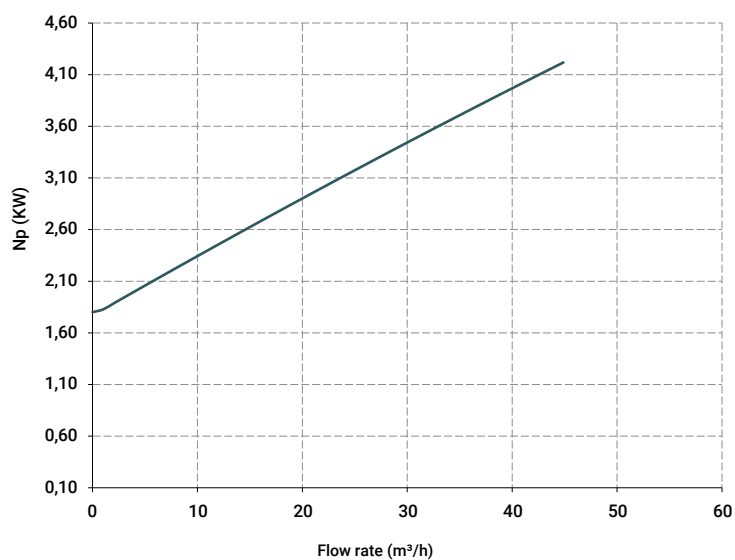
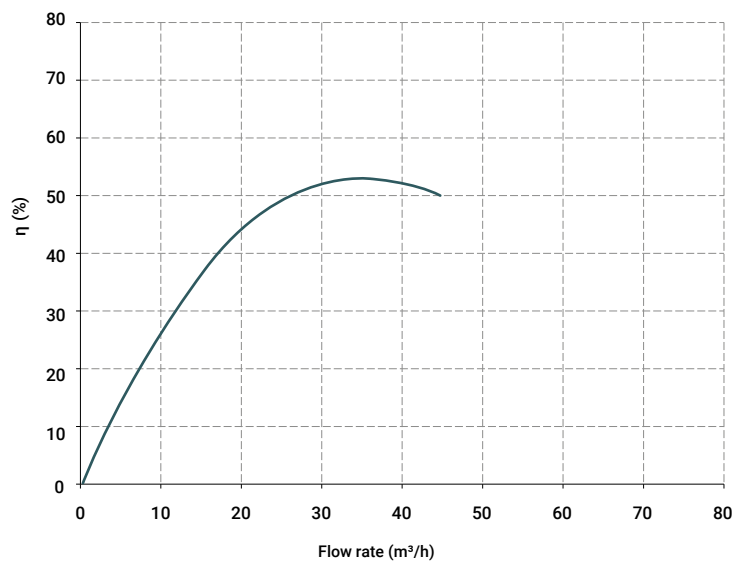
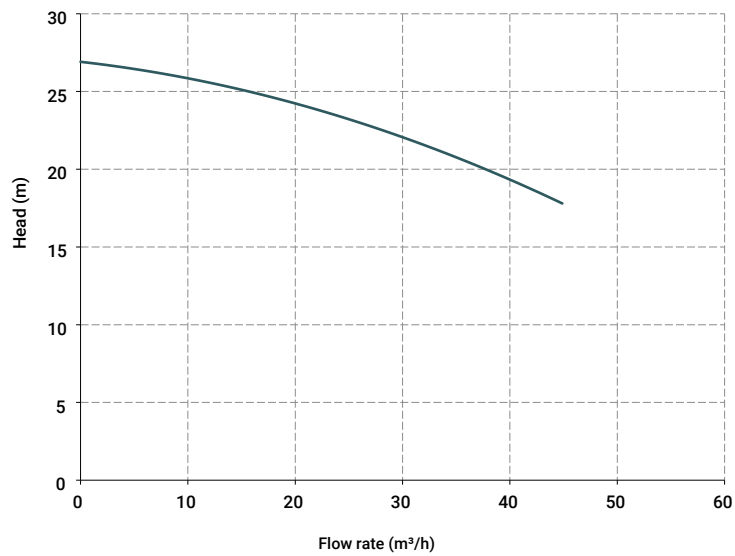


GALVANIC AND ELECTRONIC
INDUSTRY

Operating temperature:

PP	from +3°C to +65°C
PVDF	from +3°C to +95°C

Specifications and types



The curves and the performances refer to pumps with open delivery outlet, with water at 20°C, 50 Hz two-pole motor (2900 RPM).

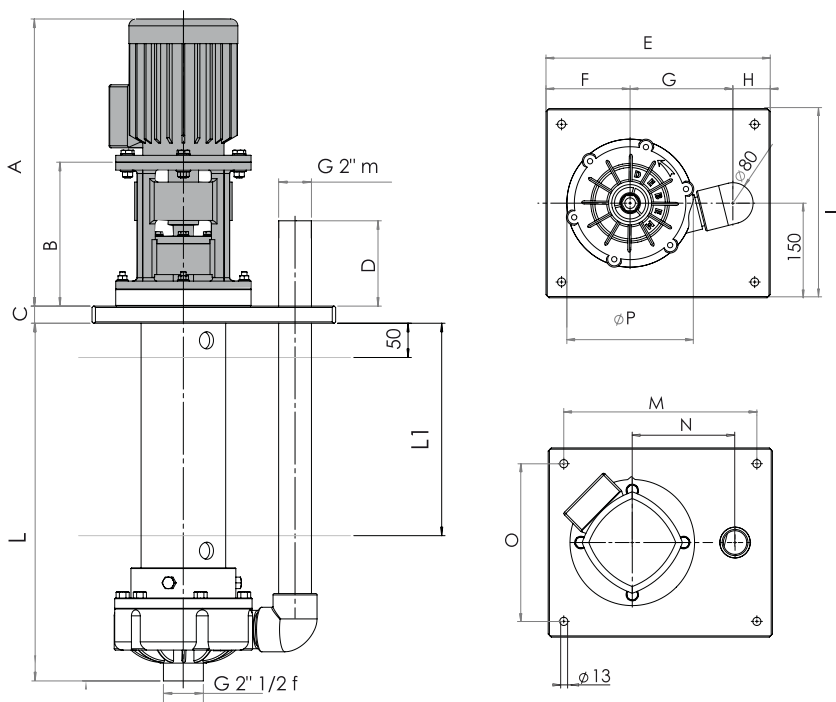
IM 155

VERTICAL CENTRIFUGAL PUMPS



Specifications and types

MODEL	POWER	Ø PASSING SOLIDS	A	B	C	D	E	F	G	H	I	M	N	O	P	KG MOTOR
IM 155	5,5 Kw - 7,5 HP	2	682	303	25	130	480	170	215	95	380	430	215	330	Ø275	53



TANK USE

Pump	Motor power
IM 80	0.37 Kw - 0.5 HP
IM 90	0.55 Kw - 0.75 HP
IM 95	0.75 Kw - 1 HP
IM 110	1.1 Kw - 1.5 HP
IM 120	1.5 Kw - 2 HP
IM 130	2.2 Kw - 3 HP
IM 140	3 Kw - 4 HP
IM 150	4 Kw - 5.5 HP
IM 155	5.5 Kw - 7.5 HP
IM 160	7.5 Kw - 10 HP
IM 180	11 Kw - 15 HP
IM 200	18.5 Kw - 25 HP

Seal o-ring materials:

- EPDM
- VITON®

Package:

wooden cage - weights and dimensions vary based on the length of the pump

Accessories

FLANGE KIT (DIN standard - ANSI available on request):

- KITFLANGIM155P (POLYPROPYLENE)
- KITFLANGIM155F (PVDF)

- Pump protection filter* in PP (*the filter is sold separately)
- Pump protection filter* in PVDF (*the filter is sold separately)

Customisable fixing plate only at the design stage

IM 160

VERTICAL CENTRIFUGAL PUMPS



- Product designed and constructed in Italy
- Constructed in polypropylene or PVDF
- Normalised electric motor
- Support lantern and connection between pump and motor with a flexible coupling
- Usable with fluids containing suspended solids
- Suitable for continuous use



IM PUMPS CODES ENCODING

ex. IM140P-V-0800-N
IM140 PP, O-Ring Viton®, column height 800 mm, three-phase motor

IM140	P	V	0800	N
PUMP MODEL	PUMP PUMP	O-RING	COLUMN HEIGHT	MOTOR
IM 80 - IM 80 IM 90 - IM 90 IM 95 - IM 95 IM 110 - IM 110 IM 120 - IM 120 IM 130 - IM 130 IM 140 - IM 140 IM 150 - IM 150 IM 155 - IM 155 IM 160 - IM 160 IM 180 - IM 180 IM 200 - IM 200	P - Polypropylene FC - PVDF+CF	D - EPDM V - Viton®	0250 - 250 mm** 0500 - 500 mm 0800 - 800 mm 1000 - 1000 mm 1250 - 1250 mm	N* - Three-phase motor M - Single-phase motor A - ATEX motor

* Three-phase asynchronous eurotension motor fitted as standard (2 poles) 50Hz

** Available only for IM 80/90 pumps

IM 160

VERTICAL CENTRIFUGAL PUMPS



Specifications and types



Suction fittings	G 2" 1/2 f or DN 65 on request
Delivery fittings	G 2" m or DN 50 on request
Max flow rate	55 m ³ /h
Max head	32 m
Viscosity up to	500 cps
Standard open impeller	Ø 162 mm H 11 mm -10° *
Passing solids	Ø max 9 mm

* Special versions are available on request for the fluid pumped

PP



PVDF



Standard electric motor:

Kw	7.5
HP	10
Box	B5
RPM	2900

THREE-PHASE 400/690 V

50/60 Hz

2 poles

Efficiency class IE3

IP55 protection rating

Ambient temperature -30°C + 45°C

Aluminium/Cast iron

ATEX on request

STD Column length PP* weight PVDF* weight

500	31 Kg	33 Kg
800	34 Kg	36 Kg
1000	36 Kg	38 Kg
1250	39 Kg	41 Kg

* The weights refer to the pump without the motor

NB: Special versions only on request with column length from min. 400 mm to max. 1000 mm.

MAIN APPLICATION SECTORS



CHEMICAL INDUSTRY



WATER AND SLUDGE TREATMENT



GALVANIC AND ELECTRONIC INDUSTRY

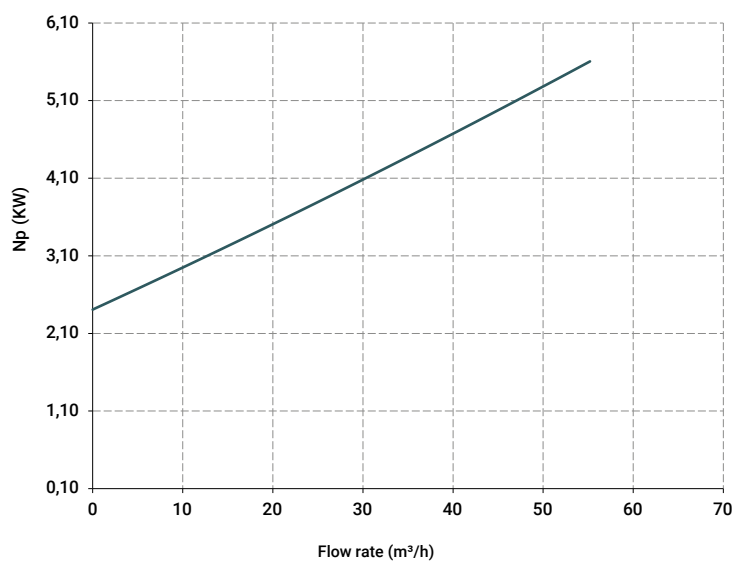
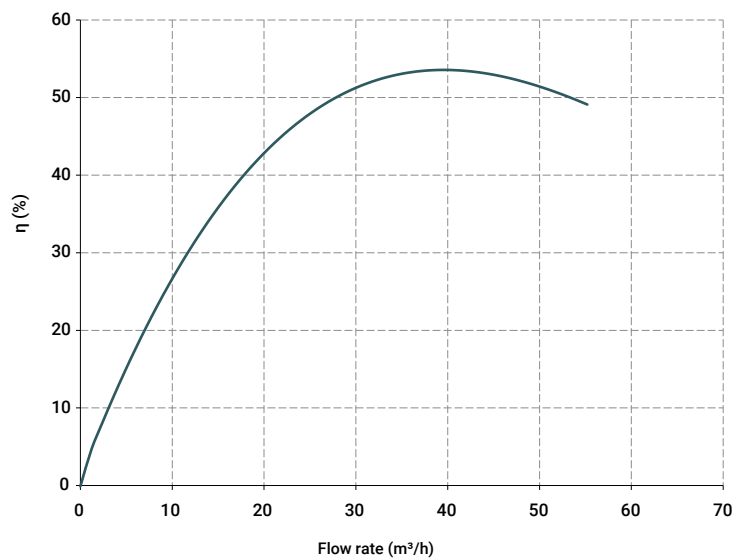
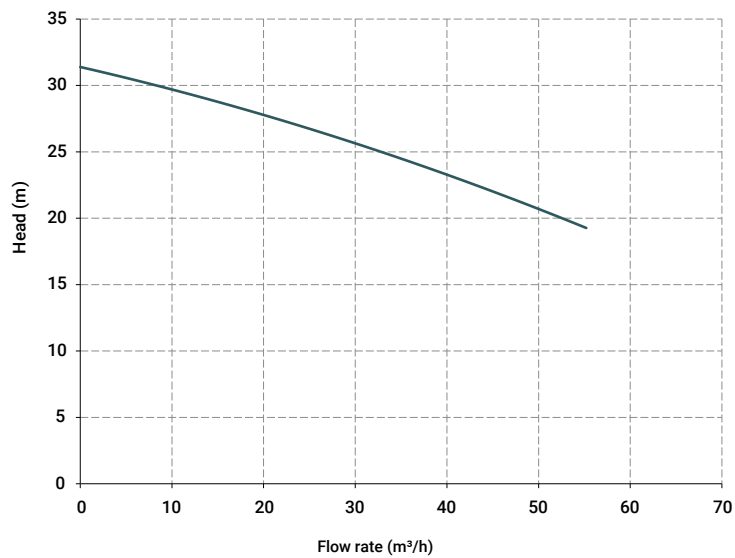


MECHANICAL AND METALLURGIC INDUSTRY

Operating temperature:

PP	from +3°C to +65°C
PVDF	from +3°C to +95°C

Specifications and types



The curves and the performances refer to pumps with open delivery outlet, with water at 20°C, 50 Hz two-pole motor (2900 RPM).

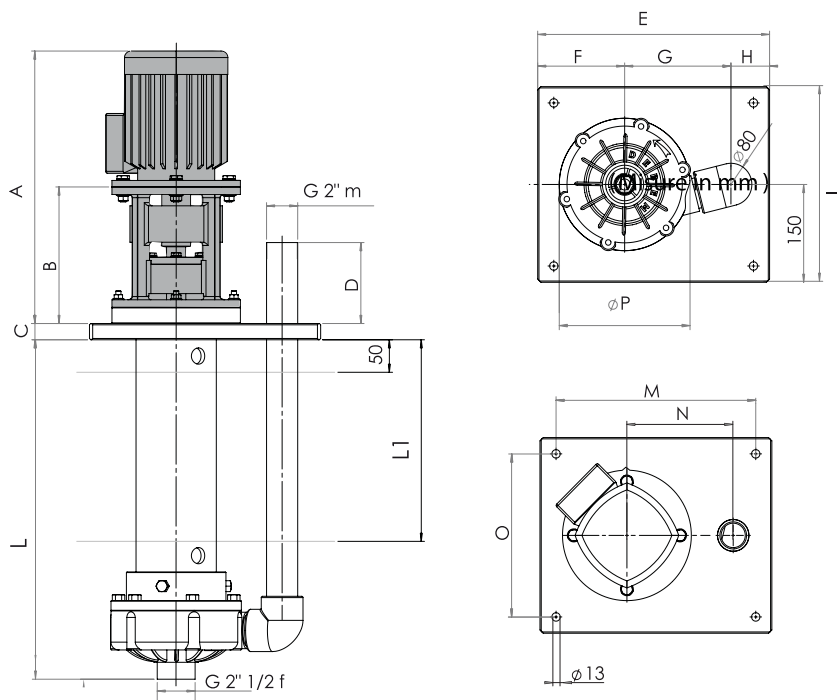
IM 160

VERTICAL CENTRIFUGAL PUMPS



Specifications and types

MODEL	POWER	Ø PASSING SOLIDS	A	B	C	D	E	F	G	H	I	M	N	O	P	KG MOTOR
IM 160	7.5 Kw - 10 HP	9	702	303	25	130	480	170	215	95	380	430	215	330	Ø275	61



TANK USE

Pump	Motor power
IM 80	0.37 Kw - 0.5 HP
IM 90	0.55 Kw - 0.75 HP
IM 95	0.75 Kw - 1 HP
IM 110	1.1 Kw - 1.5 HP
IM 120	1.5 Kw - 2 HP
IM 130	2.2 Kw - 3 HP
IM 140	3 Kw - 4 HP
IM 150	4 Kw - 5.5 HP
IM 155	5.5 Kw - 7.5 HP
IM 160	7.5 Kw - 10 HP
IM 180	11 Kw - 15 HP
IM 200	18.5 Kw - 25 HP

Seal o-ring materials:

- EPDM
- VITON®

Package:

wooden cage - weights and dimensions vary based on the length of the pump

Accessories

FLANGE KIT (DIN standard - ANSI available on request):

- KITFLANGIM160P (POLYPROPYLENE)
- KITFLANGIM160F (PVDF)

- Pump protection filter* in PP (*the filter is sold separately)
- Pump protection filter* in PVDF (*the filter is sold separately)

Customisable fixing plate only at the design stage

IM 180

VERTICAL CENTRIFUGAL PUMPS



- Product designed and constructed in Italy
- Constructed in polypropylene or PVDF
- Normalised electric motor
- Support lantern and connection between pump and motor with a flexible coupling
- Usable with fluids containing suspended solids
- Suitable for continuous use



IM PUMPS CODES ENCODING

ex.IM140P-V-0800-N
IM140 PP, O-Ring Viton®, column height 800 mm, three-phase motor

IM140	P	V	0800	N
PUMP MODEL	PUMP PUMP	O-RING	COLUMN HEIGHT	MOTOR
IM 80 - IM 80 IM 90 - IM 90 IM 95 - IM 95 IM 110 - IM 110 IM 120 - IM 120 IM 130 - IM 130 IM 140 - IM 140 IM 150 - IM 150 IM 155 - IM 155 IM 160 - IM 160 IM 180 - IM 180 IM 200 - IM 200	P - Polypropylene FC - PVDF+CF	D - EPDM V - Viton®	0250 - 250 mm** 0500 - 500 mm 0800 - 800 mm 1000 - 1000 mm 1250 - 1250 mm	N* - Three-phase motor M - Single-phase motor A - ATEX motor

* Three-phase asynchronous eurotension motor fitted as standard (2 poles) 50Hz

** Available only for IM 80/90 pumps

IM 180

VERTICAL CENTRIFUGAL PUMPS



Specifications and types



Suction fittings	G 2" 1/2 f or DN 65 on request
Delivery fittings	G 2" m or DN 50 on request
Max flow rate	75 m ³ /h
Max head	38 m
Viscosity up to	500 cps
Standard open impeller	Ø 176 mm H 13 mm -10° *
Passing solids	Ø max 11 mm

* Special versions are available on request for the fluid pumped

PP



PVDF



Standard electric motor:

Kw	11
HP	15
Box	B5
RPM	2900

THREE-PHASE 400/690 V

50/60 Hz

2 poles

Efficiency class IE3

IP55 protection rating

Ambient temperature -30°C + 45°C

Aluminium/Cast iron

ATEX on request

STD Column length PP* weight PVDF* weight

500	31 Kg	33 Kg
800	34 Kg	36 Kg
1000	36 Kg	38 Kg
1250	39 Kg	41 Kg

* The weights refer to the pump without the motor

NB: Special versions only on request with column length from min. 400 mm to max. 1000 mm.

MAIN APPLICATION SECTORS



CHEMICAL
INDUSTRY



WATER AND SLUDGE
TREATMENT



GALVANIC AND ELECTRONIC
INDUSTRY



MECHANICAL
AND METALLURGIC
INDUSTRY

Operating temperature:

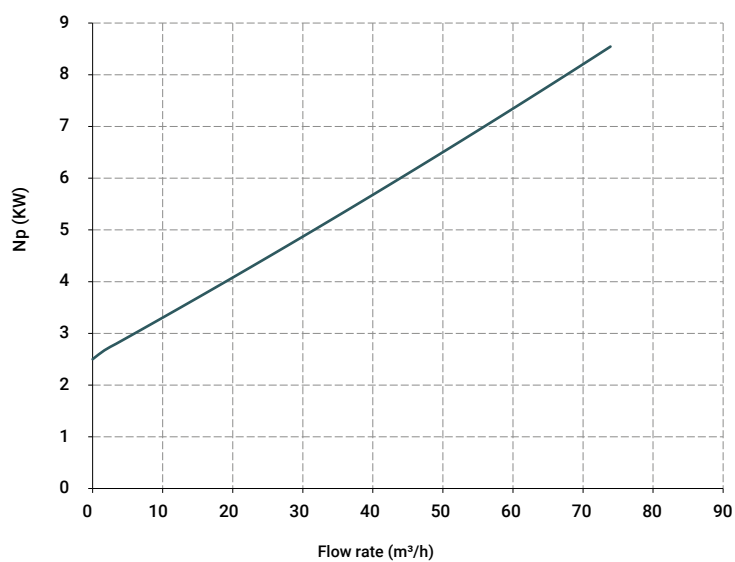
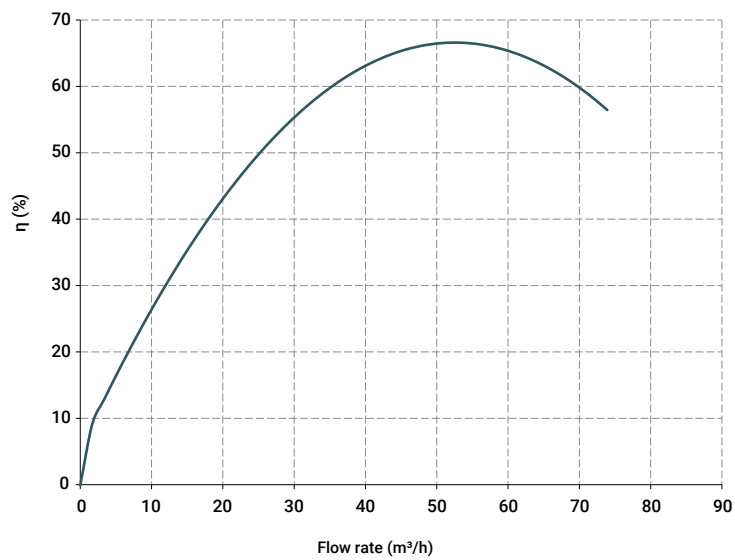
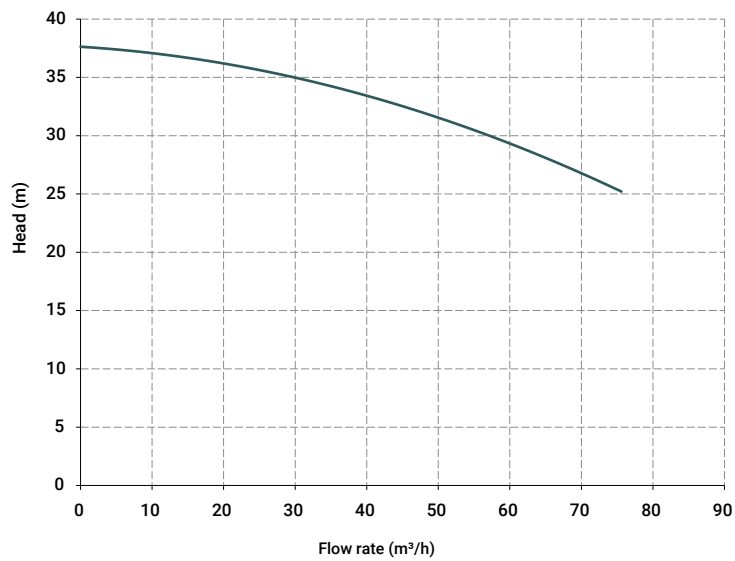
PP	from +3°C to +65°C
PVDF	from +3°C to +95°C

IM 180

VERTICAL CENTRIFUGAL PUMPS



Specifications and types



The curves and the performances refer to pumps with open delivery outlet, with water at 20°C, 50 Hz two-pole motor (2900 RPM).

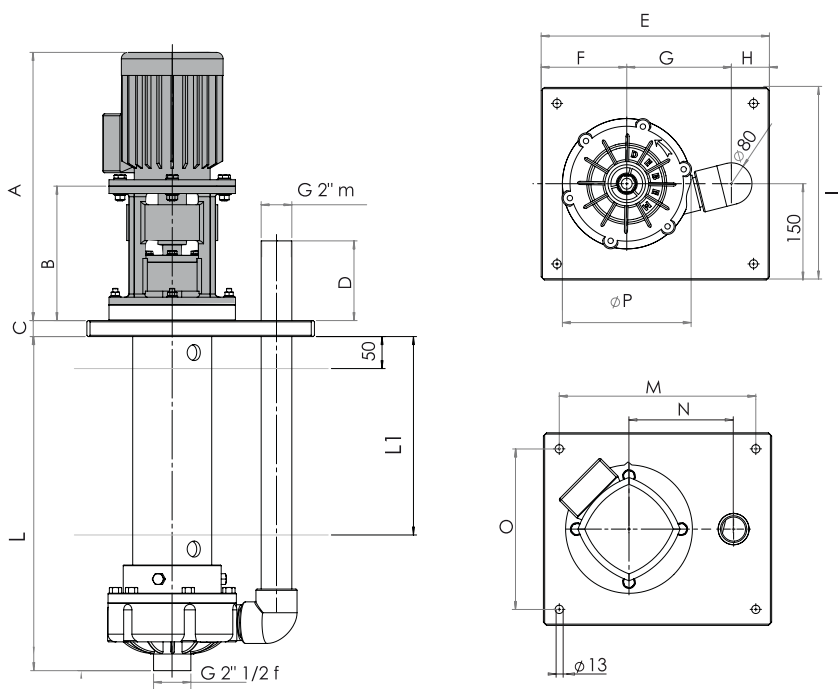
IM 180

VERTICAL CENTRIFUGAL PUMPS



Specifications and types

MODEL	POWER	Ø PASSING SOLIDS	A	B	C	D	E	F	G	H	I	M	N	O	P	KG MOTOR
IM 180	11 Kw - 15 HP	11	752	303	25	130	480	170	215	95	380	430	215	330	Ø275	71



TANK USE

Pump	Motor power
IM 80	0.37 Kw - 0.5 HP
IM 90	0.55 Kw - 0.75 HP
IM 95	0.75 Kw - 1 HP
IM 110	1.1 Kw - 1.5 HP
IM 120	1.5 Kw - 2 HP
IM 130	2.2 Kw - 3 HP
IM 140	3 Kw - 4 HP
IM 150	4 Kw - 5.5 HP
IM 155	5.5 Kw - 7.5 HP
IM 160	7.5 Kw - 10 HP
IM 180	11 Kw - 15 HP
IM 200	18.5 Kw - 25 HP

Seal o-ring materials:

- EPDM
- VITON®

Package:

wooden cage - weights and dimensions vary based on the length of the pump

Accessories

FLANGE KIT (DIN standard - ANSI available on request):

- KITFLANGIM180P (POLYPROPYLENE)
- KITFLANGIM180F (PVDF)

- Pump protection filter* in PP (*the filter is sold separately)
- Pump protection filter* in PVDF (*the filter is sold separately)

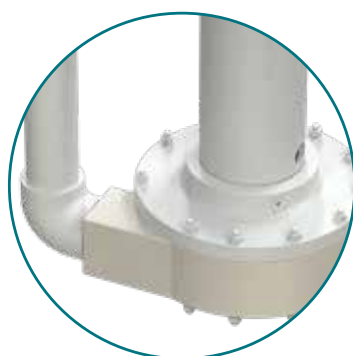
Customisable fixing plate only at the design stage

IM 200

VERTICAL CENTRIFUGAL PUMPS



- Product designed and constructed in Italy
- Constructed in polypropylene or PVDF
- Normalised electric motor
- Support lantern and connection between pump and motor with a flexible coupling
- Usable with fluids containing suspended solids
- Suitable for continuous use



IM PUMPS CODES ENCODING

ex. IM140P-V-0800-N
IM140 PP, O-Ring Viton®, column height 800 mm, three-phase motor

IM	P	V	0800	N
PUMP MODEL	PUMP PUMP	O-RING	COLUMN HEIGHT	MOTOR
IM 80 - IM 80 IM 90 - IM 90 IM 95 - IM 95 IM 110 - IM 110 IM 120 - IM 120 IM 130 - IM 130 IM 140 - IM 140 IM 150 - IM 150 IM 155 - IM 155 IM 160 - IM 160 IM 180 - IM 180 IM 200 - IM 200	P - Polypropylene FC - PVDF+CF	D - EPDM V - Viton®	0250 - 250 mm** 0500 - 500 mm 0800 - 800 mm 1000 - 1000 mm 1250 - 1250 mm	N* - Three-phase motor M - Single-phase motor A - ATEX motor

* Three-phase asynchronous eurotension motor fitted as standard (2 poles) 50Hz

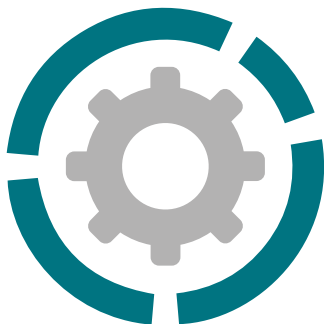
** Available only for IM 80/90 pumps

IM 200

VERTICAL CENTRIFUGAL PUMPS



Specifications and types



Suction fittings	G 3" 1/2 f or DN 90 on request
Delivery fittings	G 3" m or DN 80 on request
Max flow rate	170 m ³ /h
Max head	41 m
Viscosity up to	500 cps
Standard open impeller	Ø 175 mm H 18.4 mm *
Passing solids	Ø max 15 mm
Available column length (mm)	800 / 1000 / 1250

* Special versions are available on request for the fluid pumped



PP



PVDF

Standard electric motor:

Kw	18.5
HP	25
Box	B5
RPM	2900
THREE-PHASE 400/690 V	
50/60 Hz	
2 poles	
Efficiency class	IE3
IP55 protection rating	
Ambient temperature -30°C + 45°C	
Aluminium/Cast iron	
ATEX	on request

Operating temperature:

PP	from +3°C to +65°C
PVDF	from +3°C to +95°C

MAIN APPLICATION SECTORS



CHEMICAL INDUSTRY

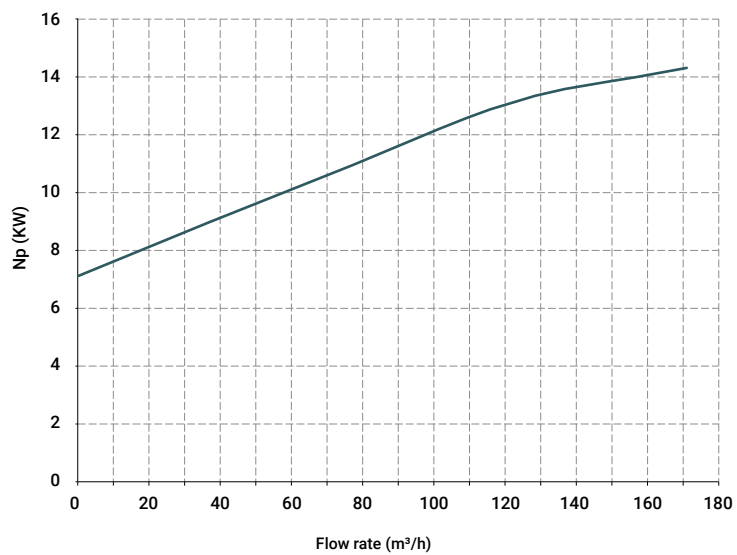
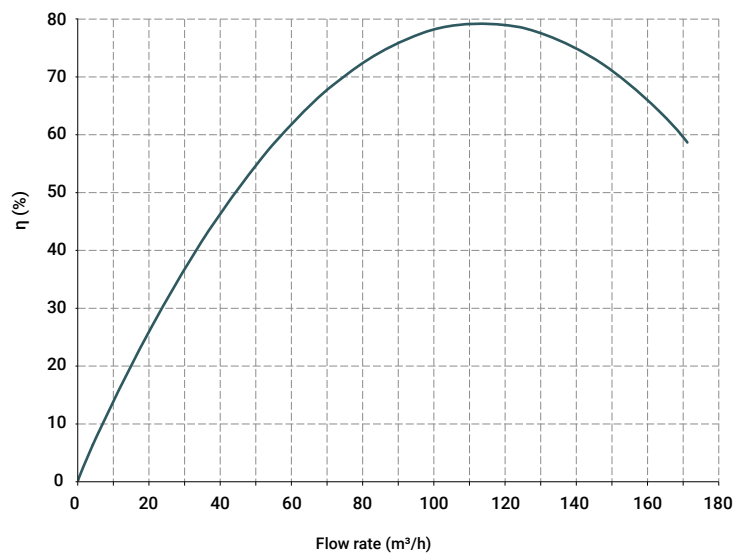
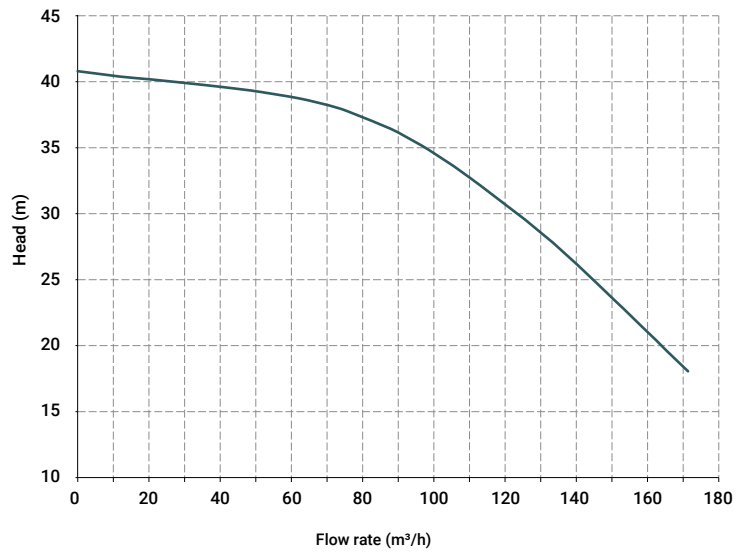


WATER AND SLUDGE
TREATMENT



GALVANIC AND ELECTRONIC
INDUSTRY

Specifications and types



The curves and the performances refer to pumps with open delivery outlet, with water at 20°C, 50 Hz two-pole motor (2900 RPM).

Specifications and types

Pump	Motor power
IM 80	0.37 Kw - 0.5 HP
IM 90	0.55 Kw - 0.75 HP
IM 95	0.75 Kw - 1 HP
IM 110	1.1 Kw - 1.5 HP
IM 120	1.5 Kw - 2 HP
IM 130	2.2 Kw - 3 HP
IM 140	3 Kw - 4 HP
IM 150	4 Kw - 5.5 HP
IM 155	5.5 Kw - 7.5 HP
IM 160	7.5 Kw - 10 HP
IM 180	11 Kw - 15 HP
IM 200	18.5 Kw - 25 HP



TANK USE

Seal o-ring materials:

- EPDM
- VITON®

Package:

wooden cage - weights and dimensions vary based on the length of the pump

Accessories

FLANGE KIT (DIN standard - ANSI available on request):

- KITFLANGIM200P (POLYPROPYLENE)
- KITFLANGIM200F (PVDF)

- Pump protection filter* in PP (*the filter is sold separately)
- Pump protection filter* in PVDF (*the filter is sold separately)

Customisable fixing plate only at the design stage