

DM 06

MAGNETIC DRIVE CENTRIFUGAL PUMPS



- Product designed and constructed in Italy
- Constructed in polypropylene or PVDF
- Under head use
- Extremely easy to maintain
- Suitable for continuous use



DM PUMPS CODES ENCODING

ex. DM10P-SD1BE071

DM10 PP, standard thrust bearing, EPDM o-ring, Ø 98 mm impeller, BSP fitting, MEC motor flange, 071 casing.

DM10	P	S	D	1	B	E	071
PUMP MODEL	DAMPER PUMP	THRUST BEARING	O-RING	IMPELLER	FITTING	MOTOR MOTOR	CASING
DM06 DM10 DM15 DM30	P - Polypropylene FC - PVDF+CF	S - Standard (ceramic + PTFE Graphite)	D - EPDM V - Viton®	DM06 1=Ø 81 2=Ø 70 3=Ø 65 DM10 1=Ø 98 2=Ø 85 3=Ø 70 DM15 1=Ø 123 2=Ø 108 3=Ø 90 DM30 1=Ø 134 2=Ø 122 3=Ø 110	N - NPT B - BSP	E - MEC U* - NEMA	DM06 063 071 DM10 071 080 DM15 090 DM30 090 100 112

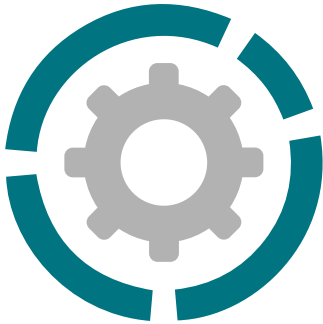
* Only the pump can be supplied, with American flange, for coupling with NEMA motor

DM 06

MAGNETIC DRIVE CENTRIFUGAL PUMPS



Specifications and types



Suction fittings	G 1" f or DN 25 - NPT
Delivery fittings	G 3/4" m or DN 20 - NPT
Max flow rate	7 m3/h
Max head	8.5 m
Viscosity up to	150 cps

PP



PVDF



Standard electric motor:

Kw 0.25 HP 0.35

Casing B3+B5 RPM 2900

Three-phase 230/400 V

50/60 HZ

2 Poles IE1 Protection IP55

Ambient temperature -30°C + 45°C

Kw 0.37 HP 0.5

Casing B3+B5 RPM 2900

Three-phase 230/400 V

50/60 HZ

2 Poles IE1 Protection IP55

Ambient temperature -30°C + 45°C

Kw 0.25 HP 0.35

Casing B3+B5 RPM 2900

Single-phase

Ambient temperature -30°C + 45°C

Kw 0.37 HP 0.5

Casing B3+B5 RPM 2900

Single-phase

Ambient temperature -30°C + 45°C

Electric motors available on request:

SINGLE-PHASE

ATEX

NEMA 56C*

*[only pump available, with American flange, for coupling with NEMA motor - the motor is not available in our standard]

Operating temperature:

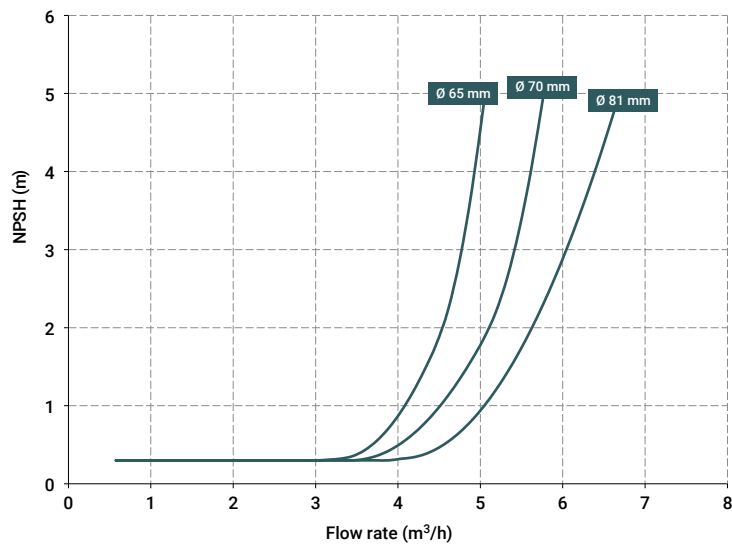
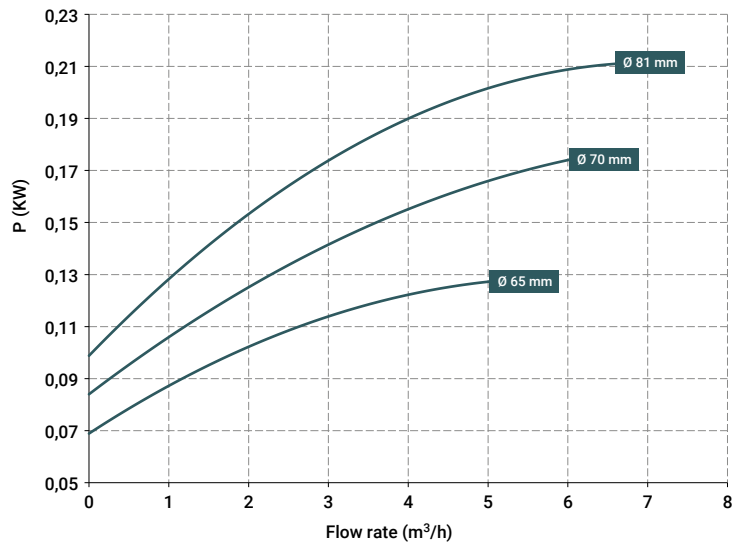
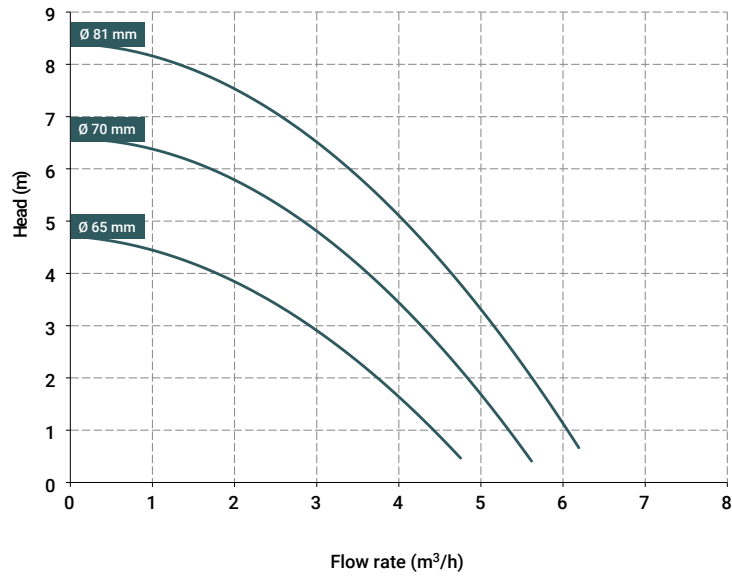
PP from +3°C to +65°C, 2 Kg

PVDF from +3°C to +95°C, 2.25 Kg

The weights refer to the pump without the motor

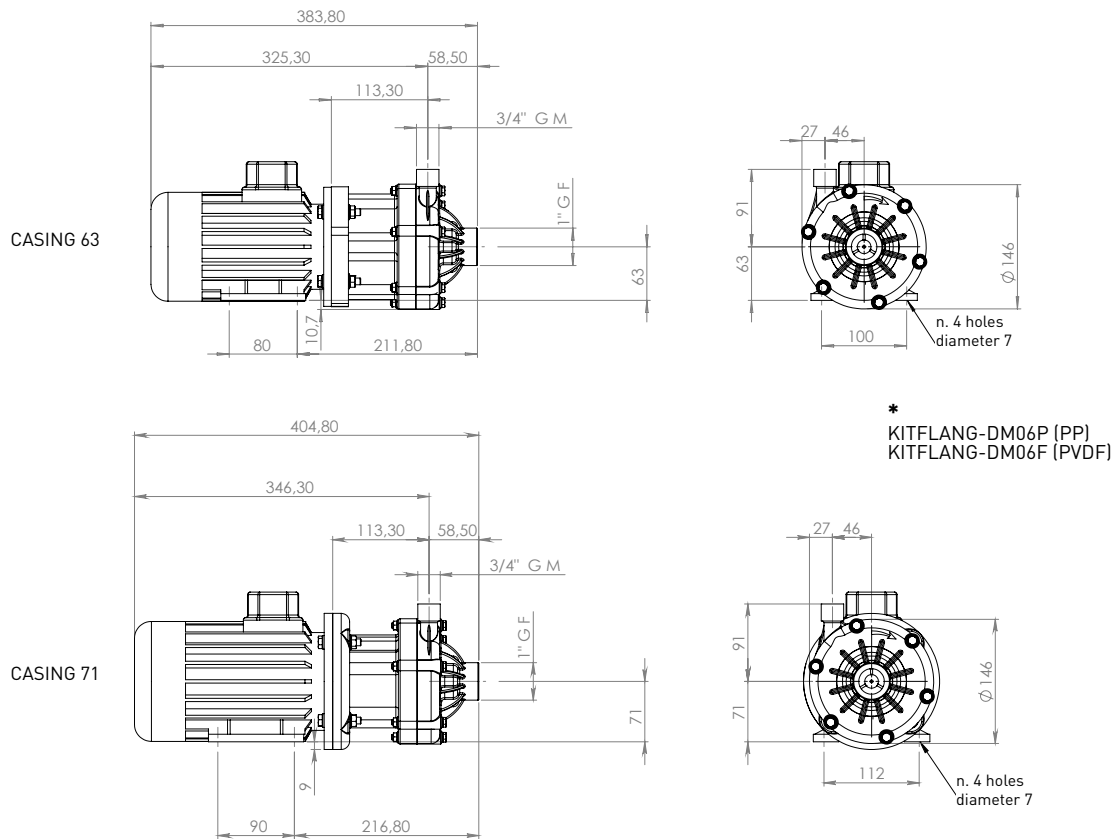
IMPELLER	Motor 0.25 Kw (0.35 HP) so PP*	Motor 0.37 Kw (0.5 HP)
Ø 81 mm (Standard)	up to 1.2 g/cm ³	up to 1.8 g/cm ³
Ø 70 mm	up to 1.5 g/cm ³	up to 2 g/cm ³
Ø 65 mm	up to 1.8 g/cm ³	up to 2 g/cm ³

Specifications and types



The curves and the performances refer to pumps with open delivery outlet, with water at 20°C, 50 Hz two-pole motor (2900 RPM).

Specifications and types



The total length of the pump can vary based on the type of motor requested

Seal o-ring materials:

- EPDM
- VITON®

Package:

- Pump with 0.25/0.37 Kw motor
- Wooden crate
cm 50 x 25 x 35 – weight 7 Kg
(The weight refers to the package only, without the pump)

*Kit flangia (Flange DIN - ANSI on request):

- KITFLANG-DM06P (PP)
- KITFLANG-DM06F (PVDF)



MAIN APPLICATION SECTORS



AUTOMOTIVE



CHEMICAL INDUSTRY



GALVANIC AND ELECTRONIC
INDUSTRY



WATER AND SLUDGE
TREATMENT

● DM06 ● DM10 ● DM15 ● DM30

DM 10

MAGNETIC DRIVE CENTRIFUGAL PUMPS



- Product designed and constructed in Italy
- Constructed in polypropylene or PVDF
- Under head use
- Extremely easy to maintain
- Suitable for continuous use



DM PUMPS CODES ENCODING

ex. DM10P-SD1BE071

DM10 PP, standard thrust bearing, EPDM o-ring, Ø 98 mm impeller, BSP fitting, MEC motor flange, 071 casing.

DM10	P	S	D	1	B	E	071
PUMP MODEL	DAMPER PUMP	THRUST BEARING	O-RING	IMPELLER	FITTING	MOTOR MOTOR	CASING
DM06 DM10 DM15 DM30	P - Polypropylene FC - PVDF+CF	S - Standard (ceramic + PTFE Graphite)	D - EPDM V - Viton®	DM06 1=Ø 81 2=Ø 70 3=Ø 65 DM10 1=Ø 98 2=Ø 85 3=Ø 70 DM15 1=Ø 123 2=Ø 108 3=Ø 90 DM30 1=Ø 134 2=Ø 122 3=Ø 110	N - NPT B - BSP	E - MEC U* - NEMA	DM06 063 071 DM10 071 080 DM15 090 DM30 090 100 112

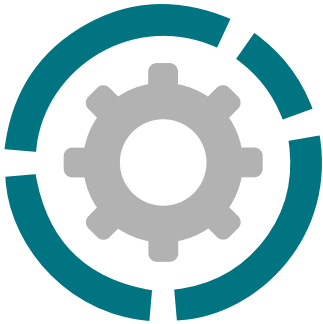
* Only the pump can be supplied, with American flange, for coupling with NEMA motor

DM 10

MAGNETIC DRIVE CENTRIFUGAL PUMPS



Specifications and types



Suction fittings	G 1 1/2 f or DN 40 - NPT
Delivery fittings	G 1" m or DN 25 - NPT
Max flow rate	13 m ³ /h
Max head	14 m
Viscosity up to	150 cps

PP



PVDF



Standard electric motor:

Kw 0.55 HP 0.75

Casing B3+B5 RPM 2900

Three-phase 230/400 V - 50/60 HZ

2 Poles IE1 Protection IP55

Ambient temperature -30°C + 45°C

Kw 0.75 HP 1

Casing B3+B5 RPM 2900

Three-phase 230/400 V - 50/60 HZ

2 Poles IE3 Protection IP55

Ambient temperature -30°C + 45°C

Kw 0.55 HP 0.75

Casing B3+B5 RPM 2900

Single-phase

Ambient temperature -30°C + 45°C

Kw 0.75 HP 1

Casing B3+B5 RPM 2900

Single-phase

Ambient temperature -30°C + 45°C

Electric motors available on request:

SINGLE-PHASE

ATEX

NEMA 56C* / 143 TC*

*[only pump available, with American flange, for coupling with NEMA motor - the motor is not available in our standard]

IMPELLER	Motor 0.55 Kw (3 HP)	Motor 0.75 Kw (4 HP)
Ø 98 mm (Standard)	up to 1.1 g/cm ³	up to 1.5 g/cm ³
Ø 85 mm	up to 1.6 g/cm ³	up to 2 g/cm ³
Ø 70 mm	up to 2 g/cm ³	up to 2 g/cm ³

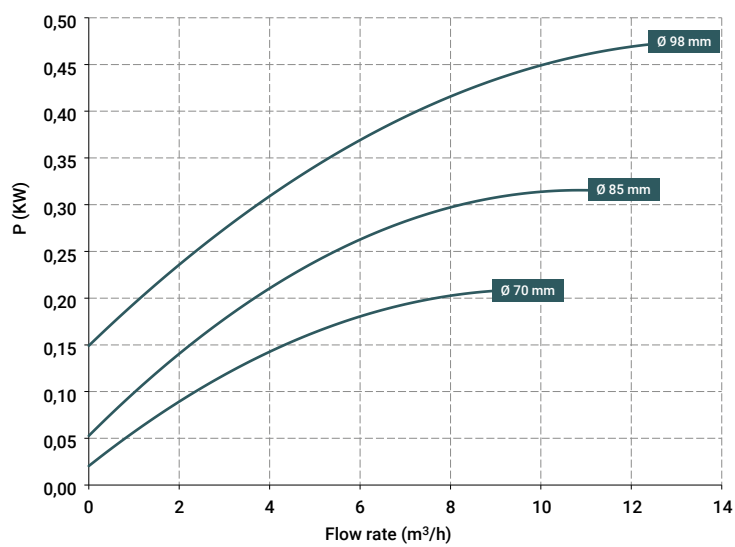
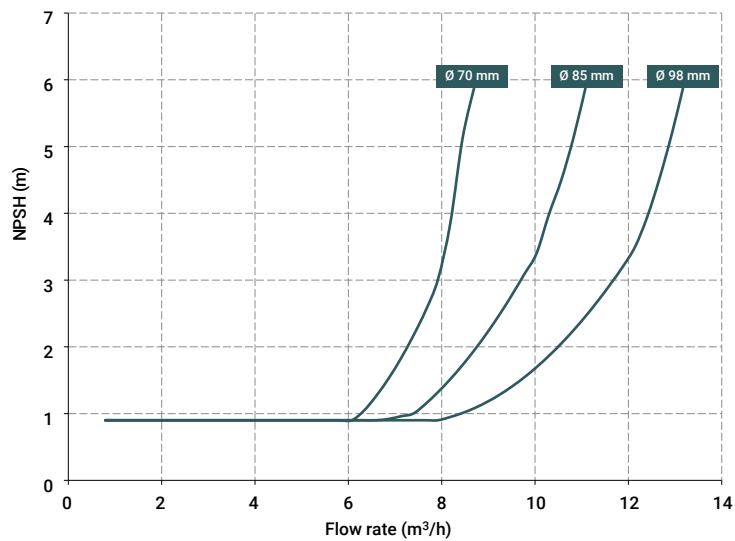
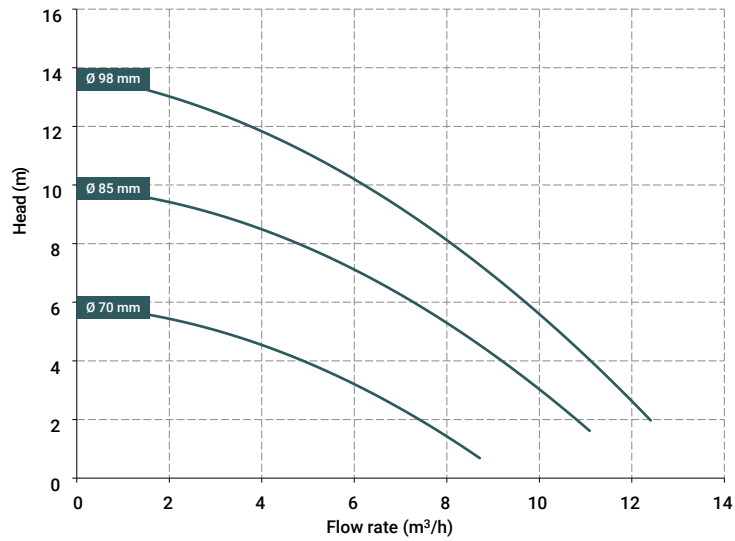
Operating temperature and weights:

PP from + 3°C to + 65°C, 2.2 Kg

PVDF from + 3°C to + 95°C, 2.5 Kg

The weights refer to the pump without the motor

Specifications and types



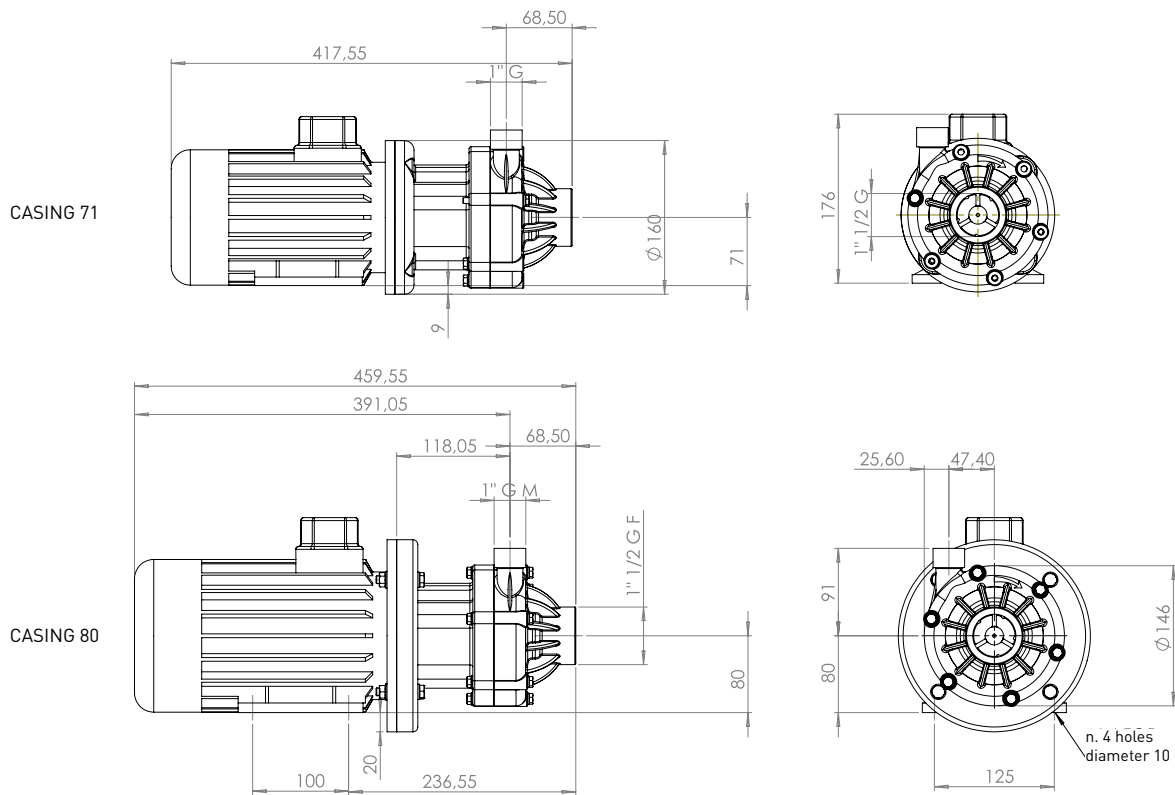
The curves and the performances refer to pumps with open delivery outlet, with water at 20°C, 50 Hz two-pole motor [2900 RPM].

DM 10

MAGNETIC DRIVE CENTRIFUGAL PUMPS



Specifications and types



The total length of the pump can vary based on the type of motor requested

Seal o-ring materials:

- EPDM
- VITON®

Package:

- Pump with 0.55 Kw motor
- Wooden crate
cm 50 x 25 x 35 – weight 7 Kg
(The weight refers to the package only, without the pump)
- Pump with 0.75 Kw motor
- Wooden crate
cm 55 x 28 x 42 – weight 10 Kg
(the weight refers to the package only, without the pump)

FLANGE KIT (DIN standard - ANSI available on request):

- KITFLANGMB080P (POLYPROPYLENE)
- KITFLANGMB080F (PVDF)



MAIN APPLICATION SECTORS



AUTOMOTIVE



CHEMICAL INDUSTRY



GALVANIC AND ELECTRONIC INDUSTRY



WATER AND SLUDGE TREATMENT

DM06 DM10 DM15 DM30

DM 15

MAGNETIC DRIVE CENTRIFUGAL PUMPS



- Product designed and constructed in Italy
- Constructed in polypropylene or PVDF
- Under head use
- Extremely easy to maintain
- Suitable for continuous use



DM PUMPS CODES ENCODING

ex. DM10P-SD1BE071

DM10 PP, standard thrust bearing, EPDM o-ring, Ø 98 mm impeller, BSP fitting, MEC motor flange, 071 casing.

DM10	P	S	D	1	B	E	071
PUMP MODEL	DAMPER PUMP	THRUST BEARING	O-RING	IMPELLER	FITTING	MOTOR MOTOR	CASING
DM06 DM10 DM15 DM30	P - Polypropylene FC - PVDF+CF	S - Standard (ceramic + PTFE Graphite)	D - EPDM V - Viton®	DM06 1=Ø 81 2=Ø 70 3=Ø 65 DM10 1=Ø 98 2=Ø 85 3=Ø 70 DM15 1=Ø 123 2=Ø 108 3=Ø 90 DM30 1=Ø 134 2=Ø 122 3=Ø 110	N - NPT B - BSP	E - MEC U* - NEMA	DM06 063 071 DM10 071 080 DM15 090 DM30 090 100 112

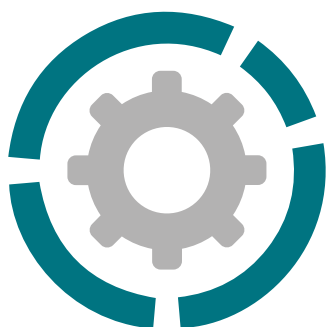
* Only the pump can be supplied, with American flange, for coupling with NEMA motor

DM 15

MAGNETIC DRIVE CENTRIFUGAL PUMPS



Specifications and types



Suction fittings	G 1 1/2 f or DN 40 - NPT
Delivery fittings	G 1 1/4 m or DN 32 - NPT
Max flow rate	23.5 m ³ /h
Max head	20 m
Viscosity up to	150 cps

PP



PVDF



Standard electric motor:

Kw 1.5 HP 2

Casing B3+B5 RPM 2900

Three-phase 230/400 V - 50/60 HZ

2 Poles IE3 Protection IP55

Ambient temperature -30°C + 45°C

Kw 2.2 HP 3

Casing B3+B5 RPM 2900

Three-phase 230/400 V - 50/60 HZ

2 Poles IE3 Protection IP55

Ambient temperature -30°C + 45°C

Kw 1.5 HP 2

Casing B3+B5 RPM 2900

Single-phase

Ambient temperature -30°C + 45°C

Kw 2.2 HP 3

Casing B3+B5 RPM 2900

Single-phase

Ambient temperature -30°C + 45°C

Electric motors available on request:

SINGLE-PHASE

ATEX

NEMA 145 TC*

*(only pump available, with American flange, for coupling with NEMA motor - the motor is not available in our standard)

IMPELLER	Motor 1.5 Kw (2 HP)	Motor 2.2 Kw (3 HP)
Ø 123 mm (Standard)	up to 1.1 g/cm ³	up to 1.8 g/cm ³
Ø 108 mm	up to 1.6 g/cm ³	up to 2 g/cm ³
Ø 90 mm	up to 2 g/cm ³	up to 2 g/cm ³

Operating temperature and weights:

PP from + 3°C to + 65°C, 4.5 Kg

PVDF from + 3°C to + 95°C, 5.2 Kg

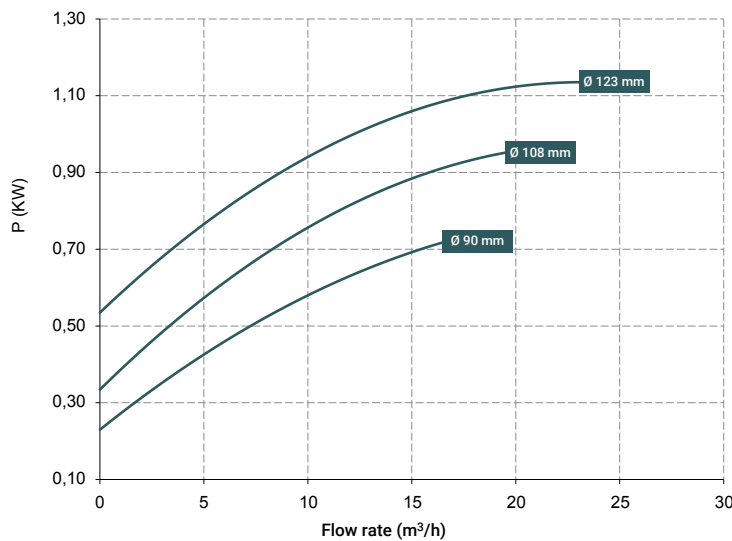
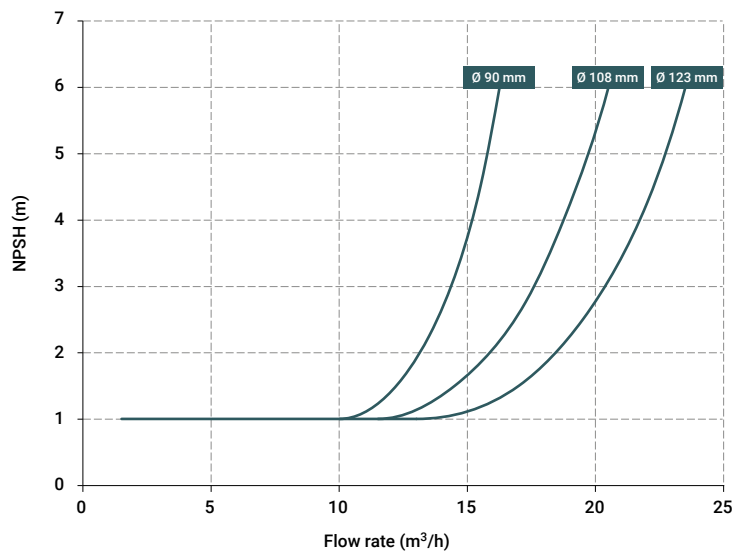
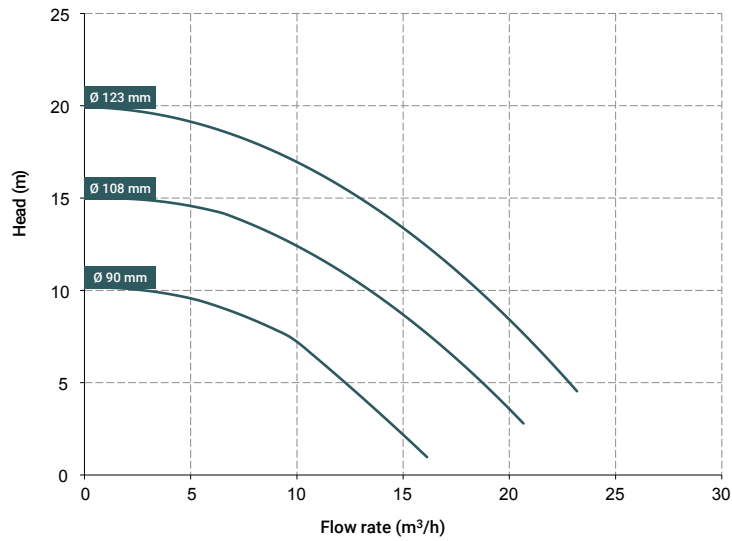
The weights refer to the pump without the motor

DM 15

MAGNETIC DRIVE CENTRIFUGAL PUMPS



Specifications and types



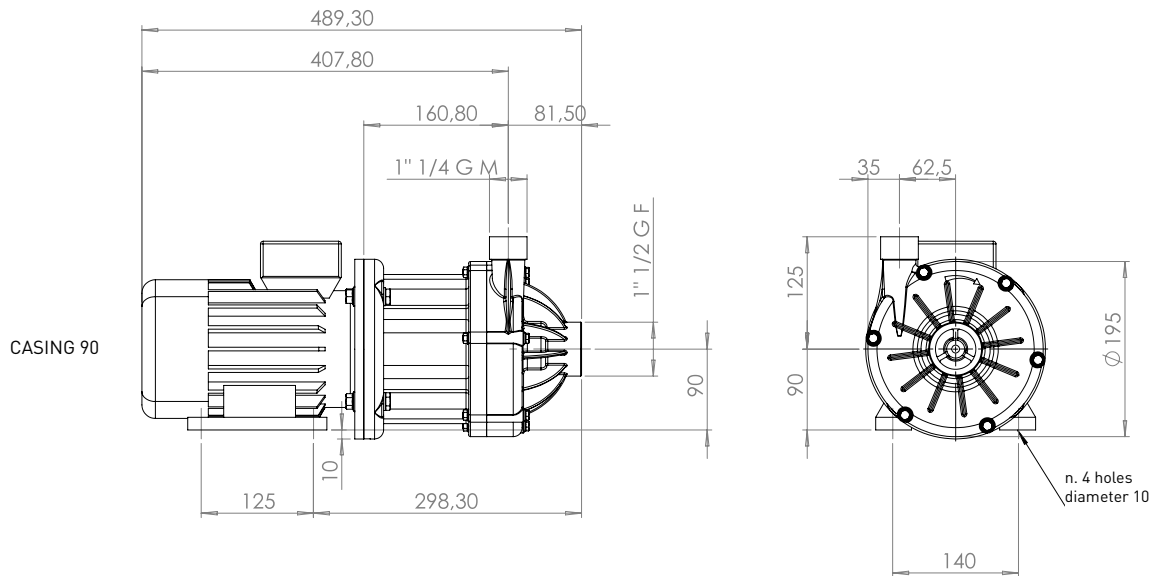
The curves and the performances refer to pumps with open delivery outlet, with water at 20°C, 50 Hz two-pole motor (2900 RPM).

DM 15

MAGNETIC DRIVE CENTRIFUGAL PUMPS



Specifications and types



The total length of the pump can vary based on the type of motor requested

Seal o-ring materials:

- EPDM
- VITON®

Package:

- Pump with 1.5 Kw motor
- Wooden crate
cm 58 x 28 x 42 – weight 10 Kg
(The weight refers to the package only, without the pump)
- Pump with 2.2 Kw motor
- Wooden crate
cm 64 x 28 x 42 – weight 10 Kg
(the weight refers to the package only, without the pump)

FLANGE KIT (DIN standard - ANSI available on request):

- KITFLANG-DM15P (POLYPROPYLENE)
- KITFLANG-DM15F (PVDF)



MAIN APPLICATION SECTORS



AUTOMOTIVE



CHEMICAL INDUSTRY



GALVANIC AND ELECTRONIC
INDUSTRY



WATER AND SLUDGE
TREATMENT

DM06 DM10 DM15 DM30

DM 30

MAGNETIC DRIVE CENTRIFUGAL PUMPS



■ Product designed and constructed in Italy

■ Constructed in polypropylene or PVDF

■ Under head use

■ Extremely easy to maintain

■ Suitable for continuous use



DM PUMPS CODES ENCODING

ex. DM10P-SD1BE071

DM10 PP, standard thrust bearing, EPDM o-ring, Ø 98 mm impeller, BSP fitting, MEC motor flange, 071 casing.

DM10	P	S	D	1	B	E	071
PUMP MODEL	DAMPER PUMP	THRUST BEARING	O-RING	IMPELLER	FITTING	MOTOR MOTOR	CASING
DM06 DM10 DM15 DM30	P - Polypropylene FC - PVDF+CF	S - Standard (ceramic + PTFE Graphite)	D - EPDM V - Viton®	DM06 1=Ø 81 2=Ø 70 3=Ø 65 DM10 1=Ø 98 2=Ø 85 3=Ø 70 DM15 1=Ø 123 2=Ø 108 3=Ø 90 DM30 1=Ø 134 2=Ø 122 3=Ø 110	N - NPT B - BSP	E - MEC U* - NEMA	DM06 063 071 DM10 071 080 DM15 090 DM30 090 100 112

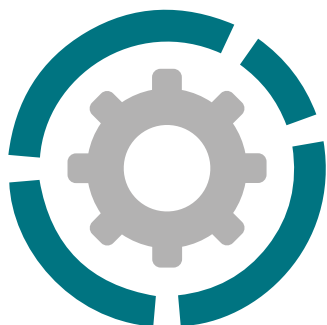
* Only the pump can be supplied, with American flange, for coupling with NEMA motor

DM 30

MAGNETIC DRIVE CENTRIFUGAL PUMPS



Specifications and types



Suction fittings	G 2" f or DN 50 - NPT
Delivery fittings	G 1 1/2 m or DN 40 - NPT
Max flow rate	23.5 m ³ /h
Max head	20 m
Viscosity up to	150 cps

PP



PVDF



Standard electric motor:

Kw 2.2 HP 3

Casing B3+B5 RPM 2900
Three-phase 230/400 V - 50/60 HZ
 2 Poles IE3 Protection IP55
 Ambient temperature -30°C + 45°C

Kw 3 HP 4

Casing B3+B5 RPM 2900
Three-phase 230/400 V - 50/60 HZ
 2 Poles IE3 Protection IP55
 Ambient temperature -30°C + 45°C

Kw 4 HP 5.5

Casing B3+B5 RPM 2900
Three-phase 230/400 V - 50/60 HZ
 2 Poles IE3 Protection IP55
 Ambient temperature -30°C + 45°C

Kw 2.2 HP 3

Casing B3+B5 RPM 2900
Single-phase
 Ambient temperature -30°C + 45°C

Kw 3 HP 4

Casing B3+B5 RPM 2900
Single-phase
 Ambient temperature -30°C + 45°C

Electric motors available on request:

SINGLE-PHASE

ATEX

NEMA 145TC* / 184TC*

*[only pump available, with American flange, for coupling with NEMA motor - the motor is not available in our standard]

IMPELLER	Motor 2.2 Kw (3 HP)	Motor 3 Kw (4 HP)	Motor 4 Kw (5.5 HP)
Ø 123 mm (Standard)	up to 1.1 g/cm ³	up to 1.5 g/cm ³	up to 1.8 g/cm ³
Ø 108 mm	up to 1.4 g/cm ³	up to 2 g/cm ³	up to 2 g/cm ³
Ø 90 mm	up to 1,8 g/cm ³	up to 2 g/cm ³	up to 2 g/cm ³

Operating temperature and weights:

PP from + 3°C to + 65°C, 6 Kg

PVDF from + 3°C to + 95°C, 7 Kg

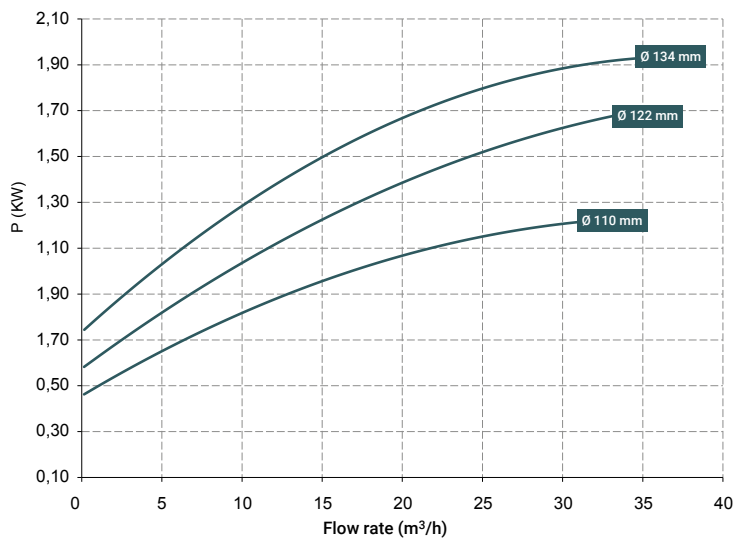
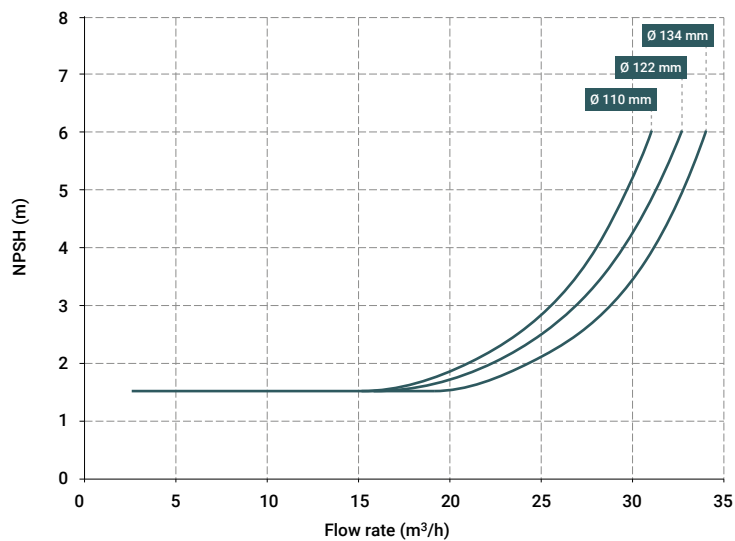
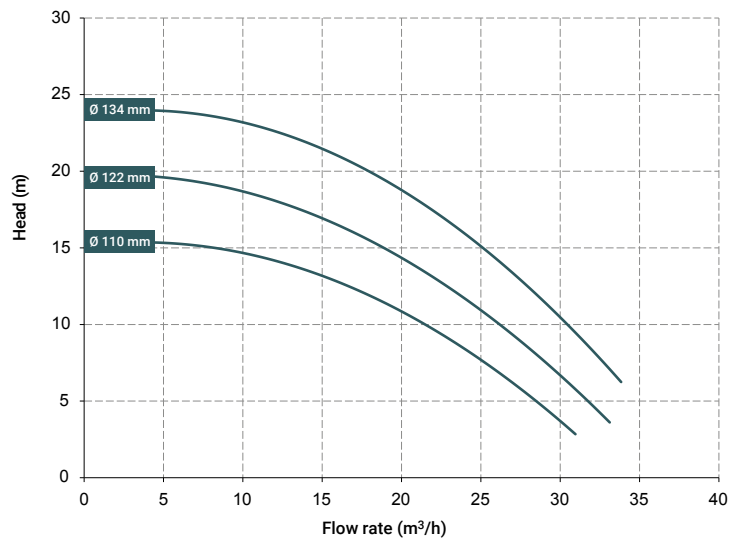
The weights refer to the pump without the motor

DM 30

MAGNETIC DRIVE CENTRIFUGAL PUMPS



Specifications and types



The curves and the performances refer to pumps with open delivery outlet, with water at 20°C, 50 Hz two-pole motor (2900 RPM).

DM 30

MAGNETIC DRIVE CENTRIFUGAL PUMPS



Specifications and types

Seal o-ring materials:

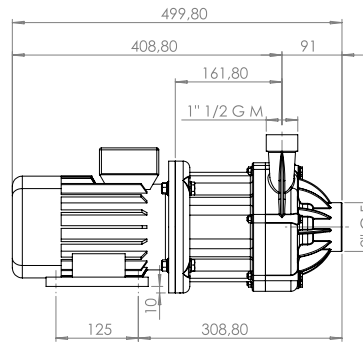
- EPDM
- VITON®

Package:

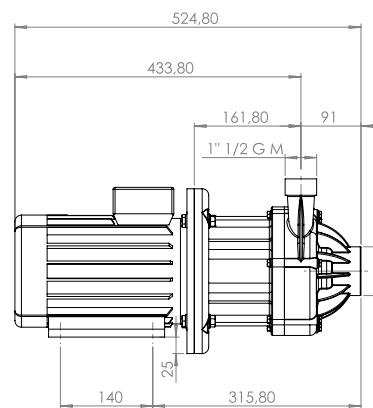
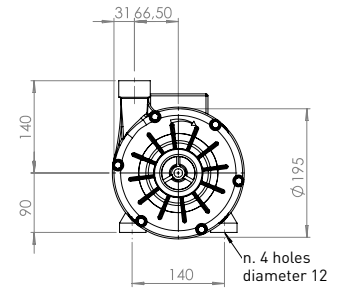
- **Pump with 2.2 Kw motor**
Wooden crate
cm 61 x 28 x 42 – weight 10 Kg
(The weight refers to the package only, without the pump)
- **Pump with 3 Kw motor**
Wooden crate
cm 64 x 28 x 42 – weight 10 Kg
(the weight refers to the package only, without the pump)
- **Pump with 4 Kw motor**
Wooden crate
cm 69 x 36 x 46 – weight 12 Kg
(the weight refers to the package only, without the pump)

FLANGE KIT (DIN standard - ANSI available on request):

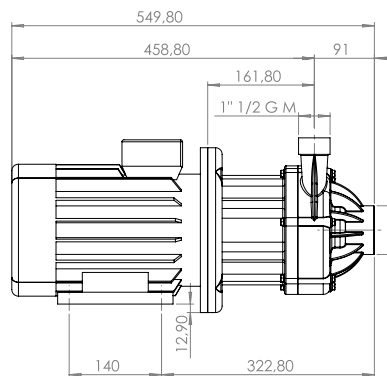
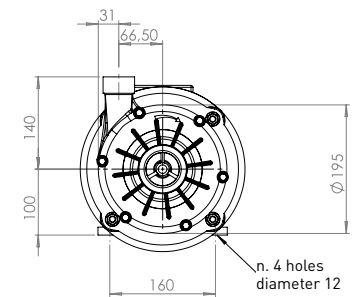
- KITFLANG-DM30P (POLYPROPYLENE)
- KITFLANG-DM30F (PVDF)



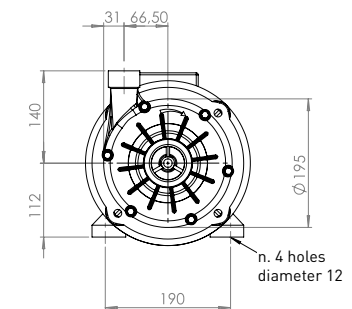
CASING 90



CASING 100



CASING 112



The total length of the pump can vary based on the type of motor requested

MAIN APPLICATION SECTORS



AUTOMOTIVE



CHEMICAL INDUSTRY



GALVANIC AND ELECTRONIC INDUSTRY



WATER AND SLUDGE TREATMENT

DM06 DM10 DM15 DM30